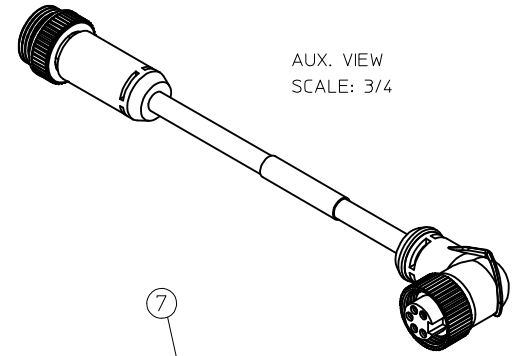


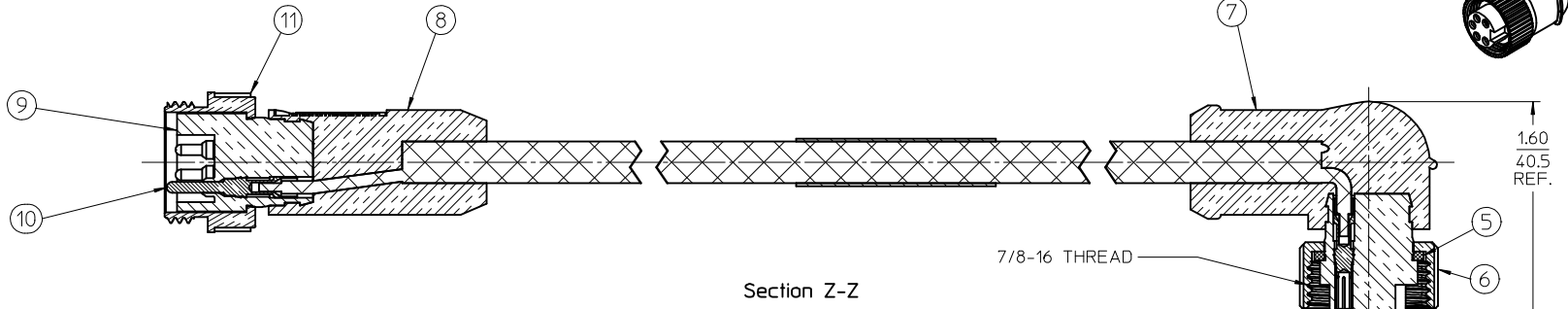
PART NUMBER	ENGINEERING NO.	LENGTH
1300250546	DNDF91A-M010	3' 3" +2.19 - 0 [1.0M +55.6 - 0]
1300250547	DNDF91A-M030	9' 10" +3.50 - 0 [3.0M +88.9 - 0]
1300250548	DNDF91A-M050	16' 5" +6.50 - 0 [5.0M +165.1 - 0]

- NOTES:
- MATERIAL: SEE TABLE
 - FINISHES: SEE TABLE
 - CABLE ASSEMBLIES ARE BAGGED SEPERATELY IN POLY BAGS WITH BARCODE LABEL ATTACHED TO OUTSIDE OF BAG
 - WRAP LABEL IS MARKED WITH P/N, DATE CODE VOLTAGE & AMPERAGE
 - MATES WITH: MINI CHANGE, A-SIZE 5 POLE RECEPTACLE
 - ELECTRICAL SPECIFICATIONS:
VOLTAGE RATING: 300V
CURRENT RATING: 4 AMPS
 - ASSEMBLY IS RoHS COMPLIANT

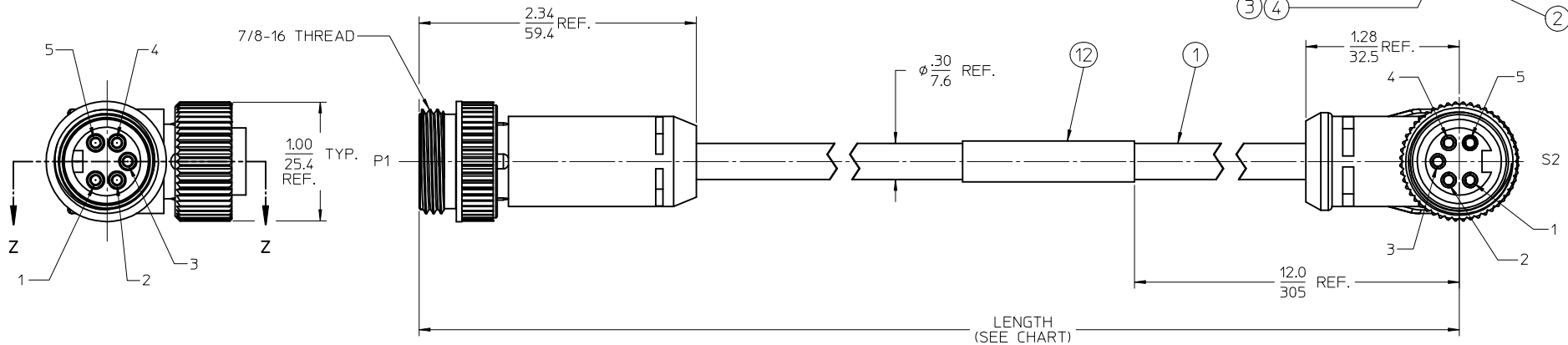


P1		S2
1	DRAIN	1
2	RED +V	2
3	BLACK -V	3
4	WHITE CAN H	4
5	BLUE CAN L	5

WIRING DIAGRAM



Section Z-Z



ITEM	QTY.	DESCRIPTION	MATERIAL	FINISH
12	1	LABEL	PLASTIC FILM	BLACK/YELLOW
11	1	COUPLING NUT, MALE	ZINC DIE CAST	BLACK
10	5	CONTACT PIN, 22 AWG	BRASS	GOLD PLATED
9	1	INSERT, MALE, 5 POLE	PVC	GRAY
8	1	OVERMOLD, STRAIGHT	PVC	GRAY
7	1	OVERMOLD, 90 DEG	PVC	GRAY
6	1	COUPLING NUT, FEMALE	ZINC DIE CAST	BLACK
5	1	FRICITION RING	NYLON	WHITE
4	5	SOCKET SLEEVE	ST. STEEL	
3	5	CONTACT SOCKET, 22 AWG	BRASS	GOLD PLATED
2	1	INSERT, FEMALE, 5 POLE	PVC	GRAY
1	1	CABLE, DEV-NET, DROP, HI-FLEX, 4/22	TPE JACKET	GRAY

RELEASED EC NO: MNA2010-0073 DRAWN BY: DRWINRSTONE 2009/07/31 CHKD BY: WOODMAN APPR: J.MURPHY 2009/08/10	QUALITY SYMBOLS ▽=0 ▽=0	GENERAL TOLERANCES (UNLESS SPECIFIED)		DIMENSION STYLE IN/MM	SCALE 1.5:1	DESIGN UNITS INCH	THIRD ANGLE PROJECTION		
		4 PLACES ± --- ± --- 3 PLACES ± --- ± --- 2 PLACES ± --- ± .01 1 PLACE ± 0.3 ± ---	mm INCH	DRAWN BY R.STONE	DATE 2009/07/30	TITLE MINI-CHANGE, CORD ASSY MALE STRT/FEM 90 DEG DEV-NET, THIN, HI-FLEX			
		ANGULAR ±1/2°		CHECKED BY B.WOODMAN	DATE 2009/07/31	MOLEX INCORPORATED			
		DRAFT WHERE APPLICABLE MUST REMAIN WITHIN DIMENSIONS		APPROVED BY J.MURPHY	DATE 2009/07/05	MATERIAL NO. SEE CHART		DOCUMENT NO. SD-130025-022	SHEET NO. 1 OF 1

THIS DRAWING CONTAINS INFORMATION THAT IS PROPRIETARY TO MOLEX INCORPORATED AND SHOULD NOT BE USED WITHOUT WRITTEN PERMISSION