



SKYWORKS®

Timing Solutions

Product Selector Guide

1117 Rev2

Timing Solutions

Skyworks offers a broad portfolio of timing products that enable hardware designers to simplify clock generation, clock distribution, jitter attenuation and network synchronization. These products

enable

enabling customers to easily architect optimized clock tree solutions. Custom samples are available in 1-2 weeks, easing design and reducing time-to-market.

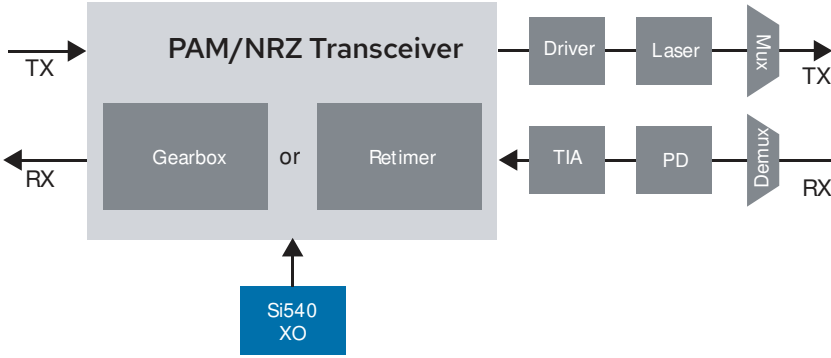
- Any frequency up to 3.0 GHz
- Ultra-low jitter: 80 fs RMS
- Short lead times: 1-2 weeks (samples)

- Any-frequency, any-output with JESD204B/C support
- Ultra-low jitter: <55 fs RMS
- Clock tree on a chip replaces clocks and XOs

014f5nT EMC /P .7 (o7 /P 0 0 5MCID 27 >> /n-US)/angD 27 >7 >>>BDC BT 0 10005T 0MCIDT EMC /P Tw

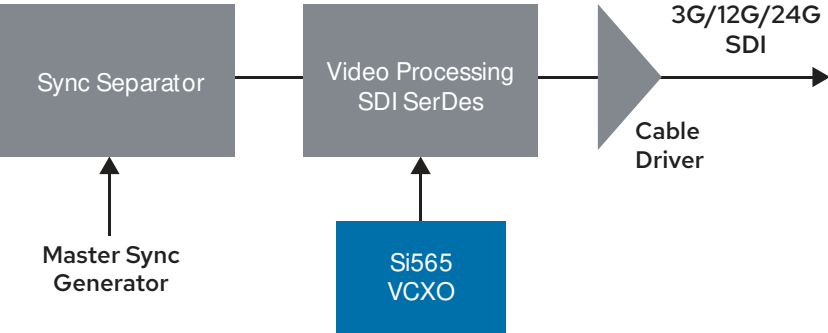
Crystal Oscillators (XO)

no b E & 2
are highly customizable, with samples of any XO available with 1-2 week lead times.



Voltage-Controlled Crystal Oscillators (VCXO)

are highly customizable, with samples of any VCXO available with 1-2 week lead times.



Clock Gener

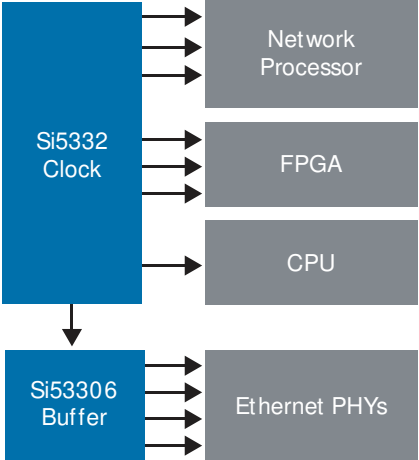
Leveraging Skyworks' pr

Skyworks' comprehensive
industrial and consumer a

Clock Buffers

Skyworks offers a comprehensive portfolio of clock buffers. In addition to universal buffers that support any in/out signal format translation, we offer a wide range of differential and single-ended buffers that provide ultra-low additive jitter and low skew clock distribution. Skyworks also offers a broad range of low-power PCIe buffers that

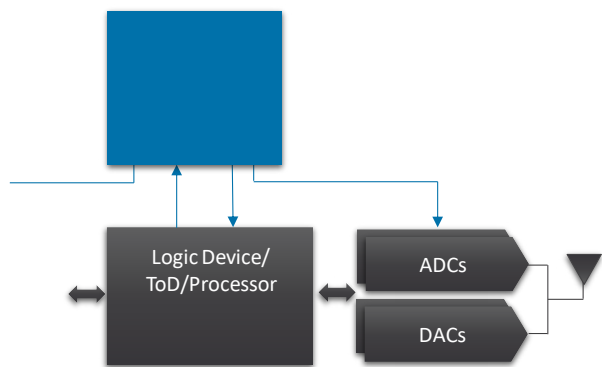
j ; k ; l ; m ; n ; o



Jitter Attenuating Clocks

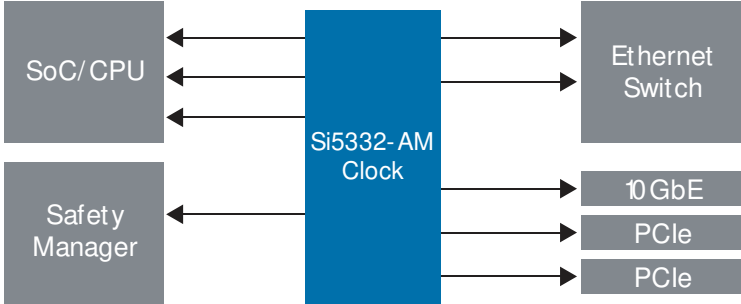
generators for Wireless, Wireline, and Data Center equipment. Leveraging Skyworks' proven DSPLL and jitter, and provide any combination of output frequencies, including JESDB2024B/C support. Skyworks offers an packet optical transport and Ethernet designs. m ; n





AEC-Q100 Automotive Grade Timing Products

Skyworks offers a comprehensive portfolio of automotive grade 2 timing solutions, providing system designers with solutions that simplify clock tree design, add redundancy, reduce system points of failure, increase system reliability and optimize the performance of high-speed serial data transfer in automotive infotainment, advanced driver assistance systems (ADAS), Lidar/radar sensors and automated driving ECU platforms.





Copyright ©2023 Skyworks Solutions, Inc. All Rights Reserved.

Information in this document is provided in connection with Skyworks Solutions, Inc. ("Skyworks") products or services. These materials, including the information contained herein, are provided by Skyworks as a service to its customers and may be used for informational purposes only by the customer. Skyworks assumes no responsibility for errors or omissions in these materials or the information contained herein. Skyworks may change its documentation, products, services, specifications or product descriptions at any time, without notice. Skyworks makes no commitment to update the materials or information and shall have no responsibility whatsoever for conflicts, incompatibilities, or other difficulties arising from any future changes.

No license, whether express, implied, by estoppel or otherwise, is granted to any intellectual property rights by this document. Skyworks assumes