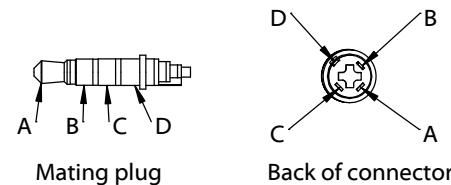
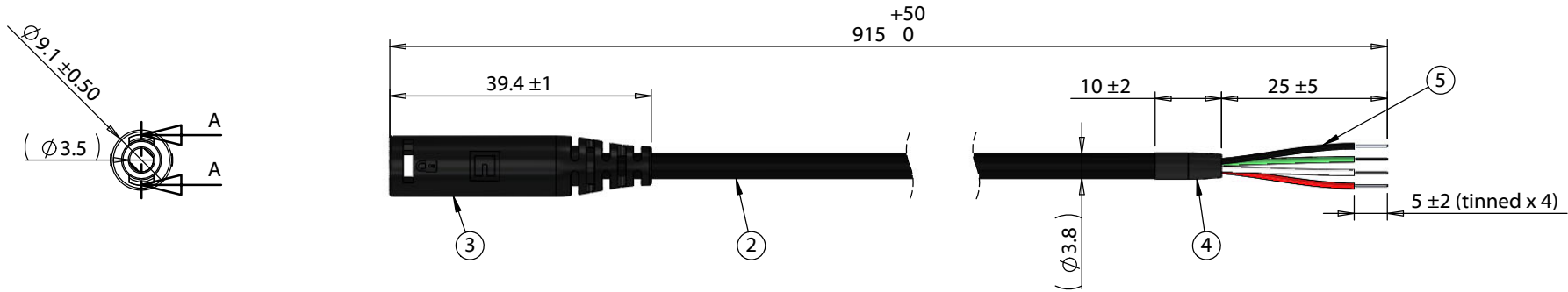
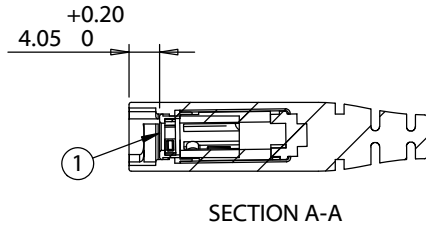


| ITEM NO. | PART NUMBER | DESCRIPTION | QTY. | COMPONENT NOTES |
|----------|-------------|---|------|--------------------|
| 1 | 50-00903 | Connector, 4C audio jack, 3.5x7.0xL19.5 mm, brass, nickel plated, molding style | 1 | |
| 2 | 30-00179 | Wire, 3C BC, 28 AWG, 300V, 80C, 3.8 mm, foil + shield, PVC | 1 | |
| 3 | 24-00266 | Overmold, audio jack, 3.5 mm, twist lock, TIC | 1 | PVC, black |
| 4 | Heat Shrink | Heat shrink tubing, black | 1 | |
| 5 | Heat shrink | Heat shrink tubing, black | 1 | Covers shield wire |



| Wiring Diagram | |
|----------------|--------------|
| 50-00903 | wire color |
| A | red |
| B | white |
| C | green |
| D | shield/black |

Notes:
Made to mate with cable assembly: 10-03401
Functionally equivalent components may be substituted

| | | | | | | |
|-----------|-----------|-----------------|--|--|---|--------------------------|
| Revision: | Date: | Description: | Prepared: | Notes: RoHS compliant Function test: no open, no short circuit, no intermittent | <h1>TENSILITY</h1> <p>tel 1.541.323.3228 800 877.670.7118 fax 1.541.323.4202 web tensility.com</p> | |
| A | 9/24/2019 | Initial release | AG Digitally signed by AG Date: 2019.09.24 08:50:42 -07'00' | | | |
| | | | Verified: AW Digitally signed by AW Date: 2019.09.24 14:42:01 -07'00' | | | |
| | | | Dimensions are in millimeters. Tolerances: X: ± 0.5 mm X.X: ± 0.3 mm X.XX: ± 0.05 mm | Description: Cable, 915 mm, 3.5 mm 4C 50-00903 twist lock audio jack to 5 mm tinned, 28 AWG, 30-00179 | Size: A | Part number: 10-03402 |
| | | | | | Scale: 1:1 | Sheet 1 of 1 |

5

4

3

2

1