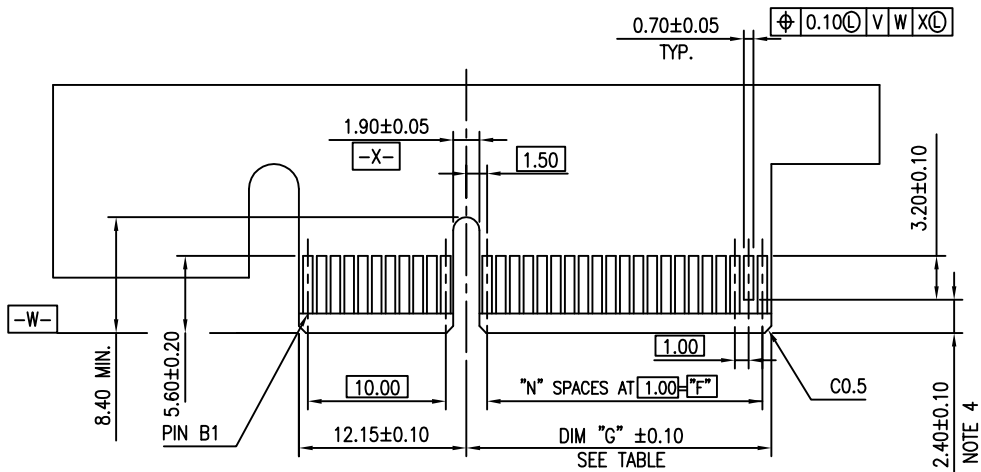


HOLD DOWN TYPE

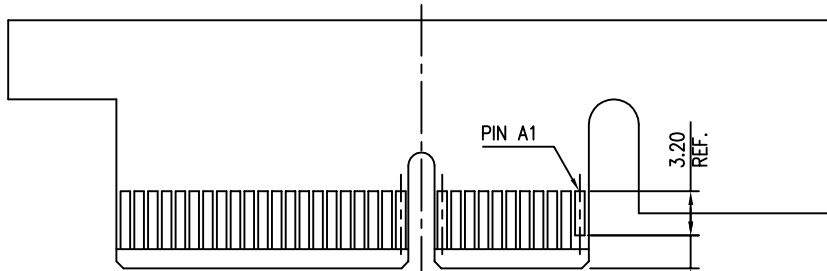
Amphenol FCI

© 2016 AFCI

mat'l. code		-		surface	58	tolerance	ISO 1302	ISO 406	ISO 101	projection	product family	PCI_EXPRESS	
ltr	ecn no	dr	date	tolerances unless otherwise specified							title		
B	ELX-DG-25671	ZH	12/19/2016	angles	linear	.X±.3		MM		scale 1	PCI_EXPRESS_CARD_EDGE_GEN3 ASSEMBLY(SMT)		
C	ELX-DG-26499	ZH	03/29/2017			0°±2°		.XX±.20					
D	ELX-DG-27937	ZH	09/12/2017			XXX±.10							
E1	--	ZH	11/20/2018	dr	WINSTON_ZHU	2022-05-30			Amphenol FCI		dwg no	sheet 1 of 6	size
F		ZH	04/16/2020	enr	ZHENHUA_LIU	2022-05-30					10138277		A4
				chr	MARS_LONG	2022-05-30							
				app	HEAVEN_CEN	2022-05-30					type CUSTOMER Drawing		
sheet index	revision	F											
	sheet												



← I/O PANEL DIRECTION
PRIMARY (COMPONENT) SIDE

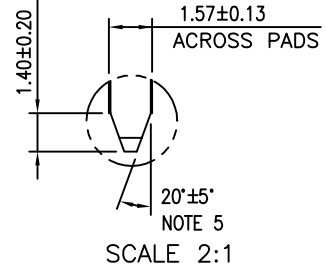


I/O PANEL DIRECTION →
SECONDARY (SOLDER) SIDE

#	POS	REF.	N	DIM "G"	DIM "F"	"F"
36			6	8.15	6.00	B17
64			20	22.15	20.00	B31
98			37	39.15	37.00	B48
164			70	72.15	70.00	B81

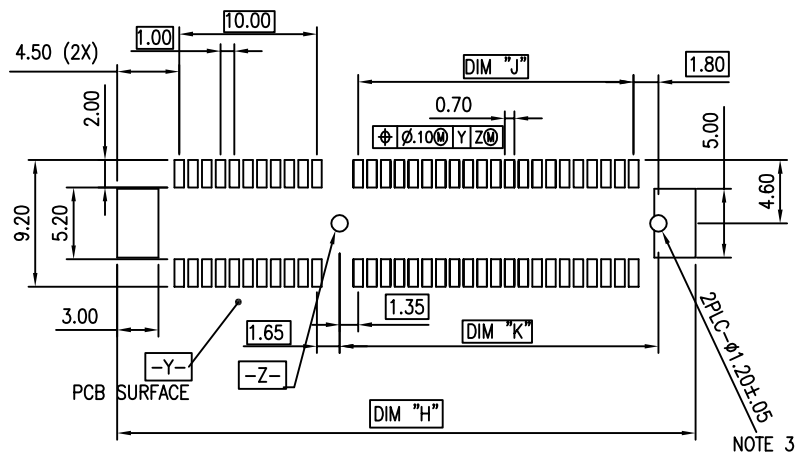
PIN "F" SEE TABLE

PIN "F" SEE TABLE



ADD-IN CARD EDGE-FINGER DIMENSIONS

mat'l. code		surface 58/ISO 1302		tolerance ISO 406 ISO 101		projection		product family		
-		✓		ISO 406 ISO 101		101		PCI_EXPRESS		
ltr	ecn no	dr	date	tolerances unless otherwise specified				title		
				angles	linear	.X±.2	MM	PCI_EXPRESS_CARD_EDGE_GEN3 ASSEMBLY(SMT)		
				0°±2'		.XX±.13				
						XXX±.05	scale 2			
		dr	WINSTON_ZHU	2022-05-30			dwg no		sheet 2 of 6	size
		engr	ZHENHUA_LIU	2022-05-30			10138277			A4
		chr	MARS_LONG	2022-05-30						
		appd	HEAVEN_CEN	2022-05-30						
sheet index	revision	F						type		CUSTOMER Drawing
	sheet									

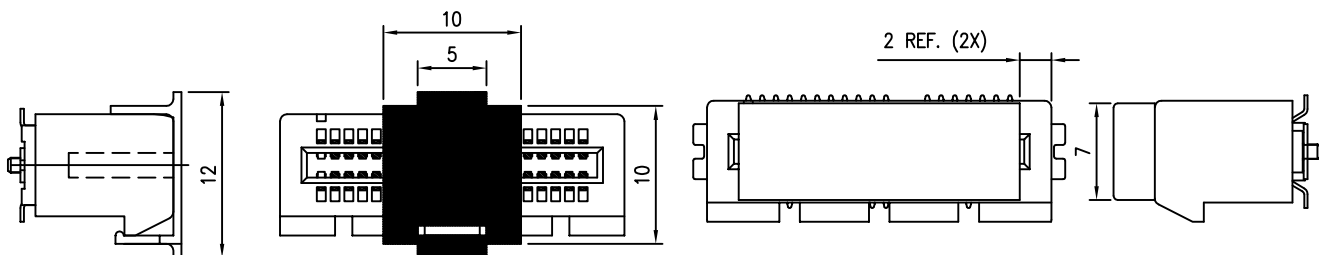


RECOMMENDED PCB LAYOUT, PAD TYPE

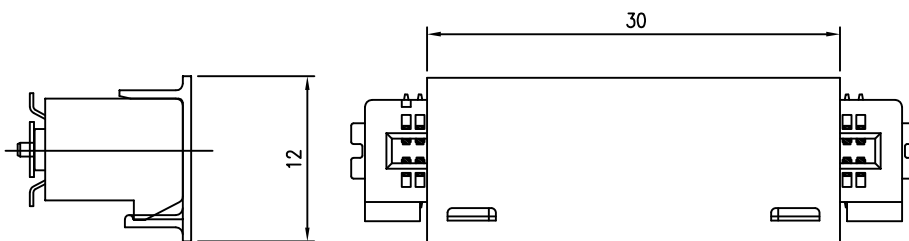
DIMENSIONS								
POSITION	A	B ± 0.15 -0.05	C ± 0.20	D ± 0.23	E ± 0.20	H ± 0.10	J	K ± 0.10
36	6.00	7.65	9.15	25.00	27.00	28.00	6.00	9.15
64	20.00	21.65	23.15	39.00	41.00	42.00	20.00	23.15
98	37.00	38.65	40.15	56.00	58.00	59.00	37.00	40.15
164	70.00	71.65	73.15	89.00	91.00	92.00	70.00	73.15

POSTION OF CAP

POSTION OF DUMMY CARD



POSTION OF CUSTOMIZED CAP(30X12)



Amphenol FCI

© 2016 AFCI

mat'l. code		surface 58/ISO 1302		tolerance ISO 406 ISO 101		projection		product family	
-		✓		ISO 406 ISO 101		MM		PCI_EXPRESS	
ltr	ecn no	dr	date	tolerances unless otherwise specified				title	
				angles linear		MM		PCI_EXPRESS_CARD_EDGE_GEN3 ASSEMBLY(SMT)	
				.X±.2		scale 2		dwg no sheet 3 of 6 size	
				.XX±.13				10138277 A4	
				0°±2'				type CUSTOMER Drawing	
				dr	WINSTON_ZHU	2022-05-30	Amphenol FCI		
				enr	ZHENHUA_LIU	2022-05-30			
				chr	MARS_LONG	2022-05-30			
				app	HEAVEN_CEN	2022-05-30			
sheet index	revision	F							
	sheet								

NOTES:

1.MATERIAL:

HOUSING: NYLON, GLASS FILLED UL94V-0 RATE, HALOGEN FREE.
 TERMINAL: COPPER ALLOY
 PLATING: 50u" NICKEL UNDERPLATE ALL OVER
 CONTACT AREA PLATING - SEE PRODUCT NUMBER CODE
 SOLDER TAIL: TIN 100u" OVER 50u" NICKEL

2.PRODUCT SPECIFICATION: GS-12-390.

③THE HORIZONTAL AXIS FOR THE PAD PATTERN IS ESTABLISHED BY
 A LINE THROUGH THE CENTER OF THE TWO Ø1.0 HOLES.
 THE VERTICAL AXIS IS 90° TO THE HORIZONTAL AXIS, THROUGH THE CENTER
 OF DATUM $\square Z$

④NO TIE BAR PERMITTED FROM CARD EDGE TO LEADING EDGE OF PAD FOR
 PINS A1.

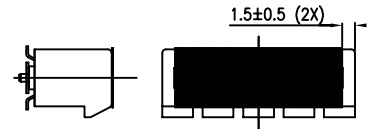
⑤CHAMFER EDGES MUST BE FREE OF CUTTING BURRS.

6.RoHS COMPATIBLE PRODUCT SPECIFICATIONS

- a - PLATING:
 - "LF" MEANS THE PRODUCT IS LEAD-FREE
- b - MANUFACTURING PROCESS COMPATIBILITY
 - THE HOUSING WILL WITHSTAND EXPOSURE TO 260°C PEAK TEMPERATURE FOR
 5 SECONDS IN A CONVECTION, INFRA-RED OR VAPOR PHASE REFLOW OVEN.

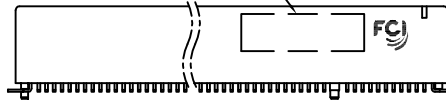
7.A \triangle SYMBOL WILL BE NEXT TO ANY DIMENSION, VIEW, OR NOTE WHICH HAS BEEN MODIFIED
 WITH CURRENT DRAWING REVISION.

\triangle 8. DATE CODE: YYWW (ONLY FOR QLF & DLF)
 YY: YEAR
 WW: WEEK



POSITION OF MYLAR

DATE CODE \triangle



PRODUCT NUMBER CODE

10138277-X X X X L F

HOUSING COLOR OPTIONS

- 0-WHITE
- 1-BLACK

LEAD FREE

PACKAGING OPTIONS

- T-TRAY PACKAGING WITHOUT CAP
- C-TRAY PACKAGING WITH CAP
- N-TRAY PACKAGING WITH MYLAR
- G-TRAY PACKAGING WITH DUMMY CARD
- R-TAPE & REEL PACKAGING WITHOUT CAP OR MYLAR (FOR 36P & 64P&98P ONLY)
- P-TAPE & REEL PACKAGING WITH CAP (FOR 36P & 64P & 98P OPTIONS ONLY)
- M-TAPE & REEL PACKAGING WITH MYLAR (FOR 36P & 64P OPTIONS ONLY)
- F-TAPE & REEL PACKAGING WITHOUT CAP OR MYLAR (24MM PITCH FOR 98P ONLY)
- A-44MM WIDTH TAPE&REEL PACKING WITH MYLAR(FOR 36P ONLY) \triangle
- Y-HARD TRAY (FOR 36P, 98P & 164P OPTION ONLY)
- Z-HARD TRAY WITH MYLAR (FOR 36P, 98P & 164P OPTION ONLY)
- B-HARD TRAY WITH CAP (FOR 36P, 98P & 164P OPTION ONLY)
- H-CUSTOMIZED HARD TRAY WITH 30mm CUSTOMIZED CAP (FOR 98 & 164P ONLY)
- Q-SMALLER HARD TRAY(323X136X19) WITH CAP(30x12mm) (FOR 164P ONLY)
- D-SMALLER HARD TRAY WITH CHAMFER AT LEFT-BOTTOM SIDE (323x136x19) WITH 30mm CAP (FOR 164P ONLY)
- S-SMALLER HARD TRAY(323x136x19 ,FOR 164P ONLY)

TERMINAL PLATING OPTIONS

- 0-50u" Ni UNDERPLATE
 30u" Au CONTACT AREA
 100u" TIN TAIL AREA ----- COMPATIBLE RoHS
- 1-50u" Ni UNDERPLATE
 15u" Au CONTACT AREA
 100u" TIN TAIL AREA ----- COMPATIBLE RoHS
- 2-50u" Ni UNDERPLATE
 GOLD FLASH CONTACT AREA
 100u" TIN TAIL AREA ----- COMPATIBLE RoHS
- 3-50u" Ni UNDERPLATE
 30u" Au CONTACT AREA
 GOLD FLASH TAIL AREA ----- COMPATIBLE RoHS

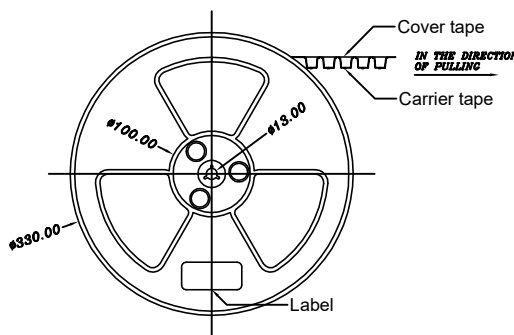
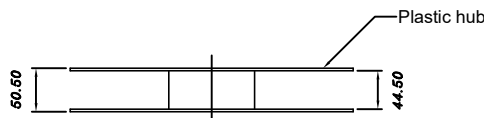
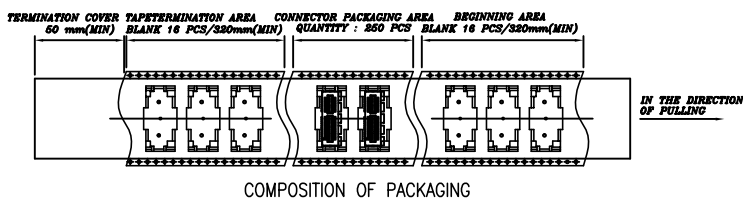
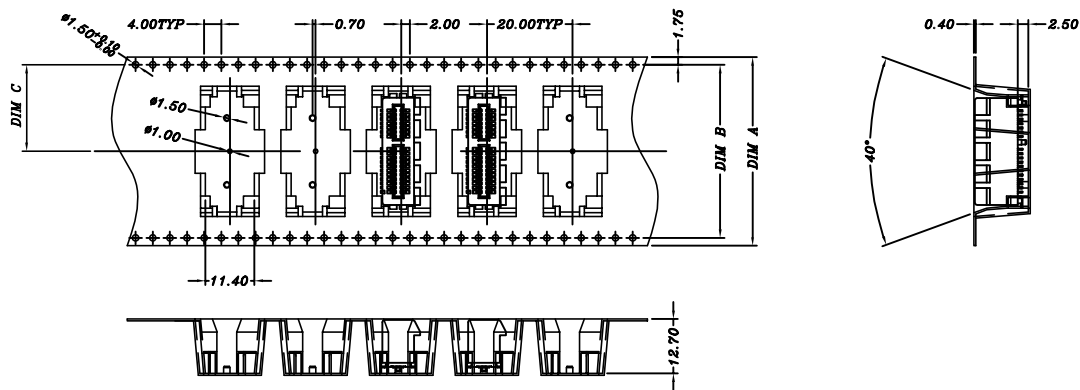
POS OPTIONS

- 0-36
- 1-64
- 2-98
- 3-164

Amphenol FCI

© 2016 AFCI

mat'l. code		surface 58/ISO 1302		tolerance ISO 406 ISO		projection		product family				
-		✓		ISO		101		PCI_EXPRESS				
ltr	ecn no	dr	date	tolerances unless otherwise specified				title				
				angles	linear		MM		PCI_EXPRESS_CARD_EDGE_GEN3 ASSEMBLY(SMT)			
				0°±2'			scale 2		dwg no		sheet 4 of 6	size
				dr	WINSTON_ZHU	2022-05-30	Amphenol FCI		10138277		A4	
				engr	ZHENHUA_LIU	2022-05-30			CUSTOMER Drawing			
				chr	MARS_LONG	2022-05-30						
				appd	HEAVEN_CEN	2022-05-30						
sheet index	revision	F										
	sheet											



TAPE AND REEL PACKING
 RECOMMENDED FOR
 36PINS ONLY

DIMENSIONS					
POSITIONS	A	B	C	D REF.	E REF.
36 (10081913-2000ALF)	44.00	40.40	20.20	44.5	50.5
64	56.00	52.60	26.30	56.4	60.4

mat'l. code		surface 58/ISO 1302		tolerance ISO 406 ISO 101		projection		product family PCI_EXPRESS				
ltr	ecn no	dr	date	tolerances unless otherwise specified				MM	title PCI_EXPRESS_CARD_EDGE_GEN3 ASSEMBLY(SMT)			
				angles	linear		scale 1					
				0°±2'	XXX±.10			dwg no		sheet 5 of 6	size	
				dr	WINSTON_ZHU	2022-05-30	Amphenol FCi	10138277		A4		
				engr	ZHENHUA_LIU	2022-05-30		type		CUSTOMER Drawing		
				chr	MARS_LONG	2022-05-30						
				app	HEAVEN_CEN	2022-05-30						
sheet index	revision	F										

1 For PCI EXPRESS SMT TYPE 36P ONLY.

2. Material :

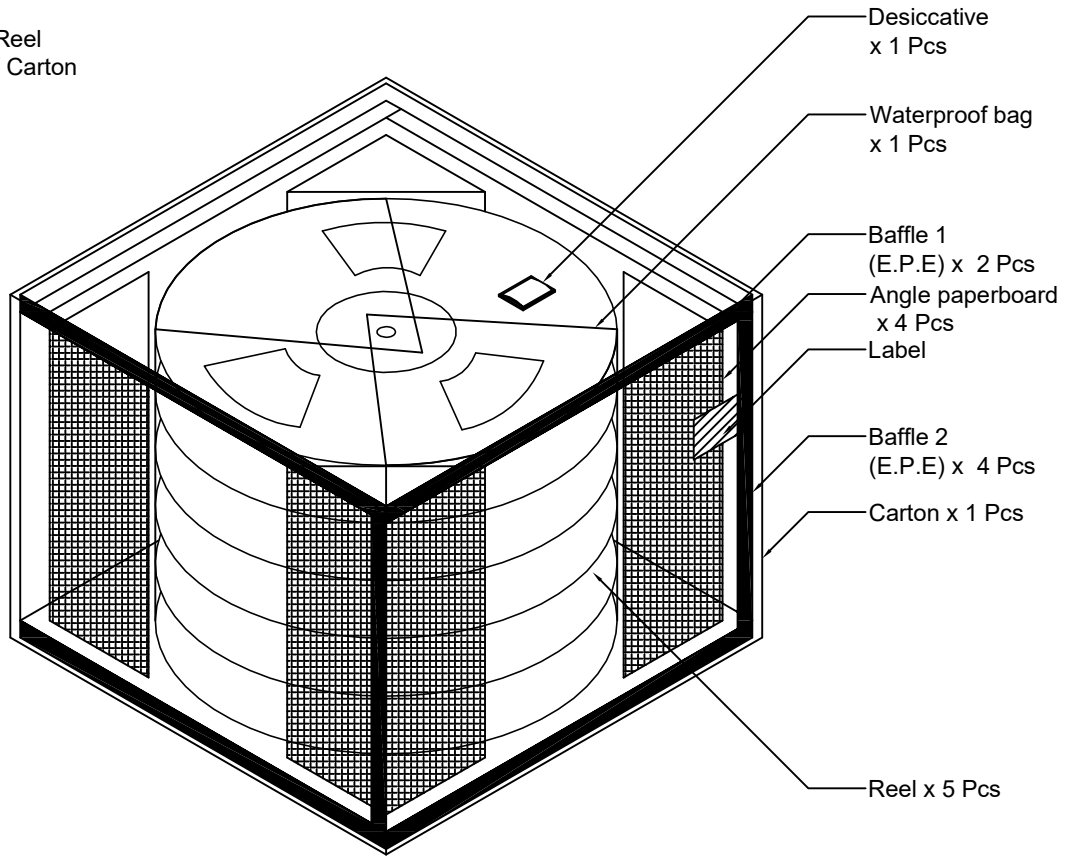
- 2.1 Reel :
 - 2.1.1 Plastic hub : High Impact Polystyrene
 - 2.1.2 Cover tape : PE
 - 2.1.3 Carrier tape : ABS
- 2.2 Waterproof bag : PE
- 2.3 Desiccative : Silica Gel
- 2.4 Carton : Corrugated paper
- 2.5 Baffle : E.P.E
- 2.6 Angle paperboard : Corrugated paper

3. Dimension :

- 3.1 Reel :
 - 3.1.1 Plastic hub : $\phi 330 \times T50.5$ mm
 - 3.1.2 Cover tape : $5690(L) \times 37.4(W)$ mm
 - 3.1.3 Carrier tape : $5640(L) \times 44(W)$ mm
- 3.2 Waterproof bag : $600(H) \times 465(W) \times 0.06(T)$ mm
- 3.3 Desiccative : 25 gram / Package
- 3.4 Carton : $380(L) \times 380(W) \times 300(H)$ mm
- 3.5 Baffle (1): $370(L) \times 370(W) \times 15(H)$ mm
- 3.6 Baffle (2): $355(L) \times 252(W) \times 15(H)$ mm
- 3.7 Angle paperboard : $252(H)$

4. Quantity :

- 4.1 250 Pcs / Reel
- 4.2 1250 Pcs / Carton



Amphenol FCI

© 2016 AFCI

mat'l. code		surface 58/ISO 1302		tolerance ISO 406 ISO 101		projection		product family	
-		✓				101		PCI_EXPRESS	
ltr	ecn no	dr	date	tolerances unless otherwise specified				title	
				angles	linear		MM		PCI_EXPRESS_CARD_EDGE_GEN3 ASSEMBLY(SMT)
				0°±2'			scale 1		
				dr	WINSTON_ZHU	2022-05-30	sheet 6 of 6		
				engr	ZHENHUA_LIU	2022-05-30	size		A4
				chr	MARS_LONG	2022-05-30	10138277		
				appd	HEAVEN_CEN	2022-05-30	type		CUSTOMER Drawing
sheet index	revision	F							
	sheet								