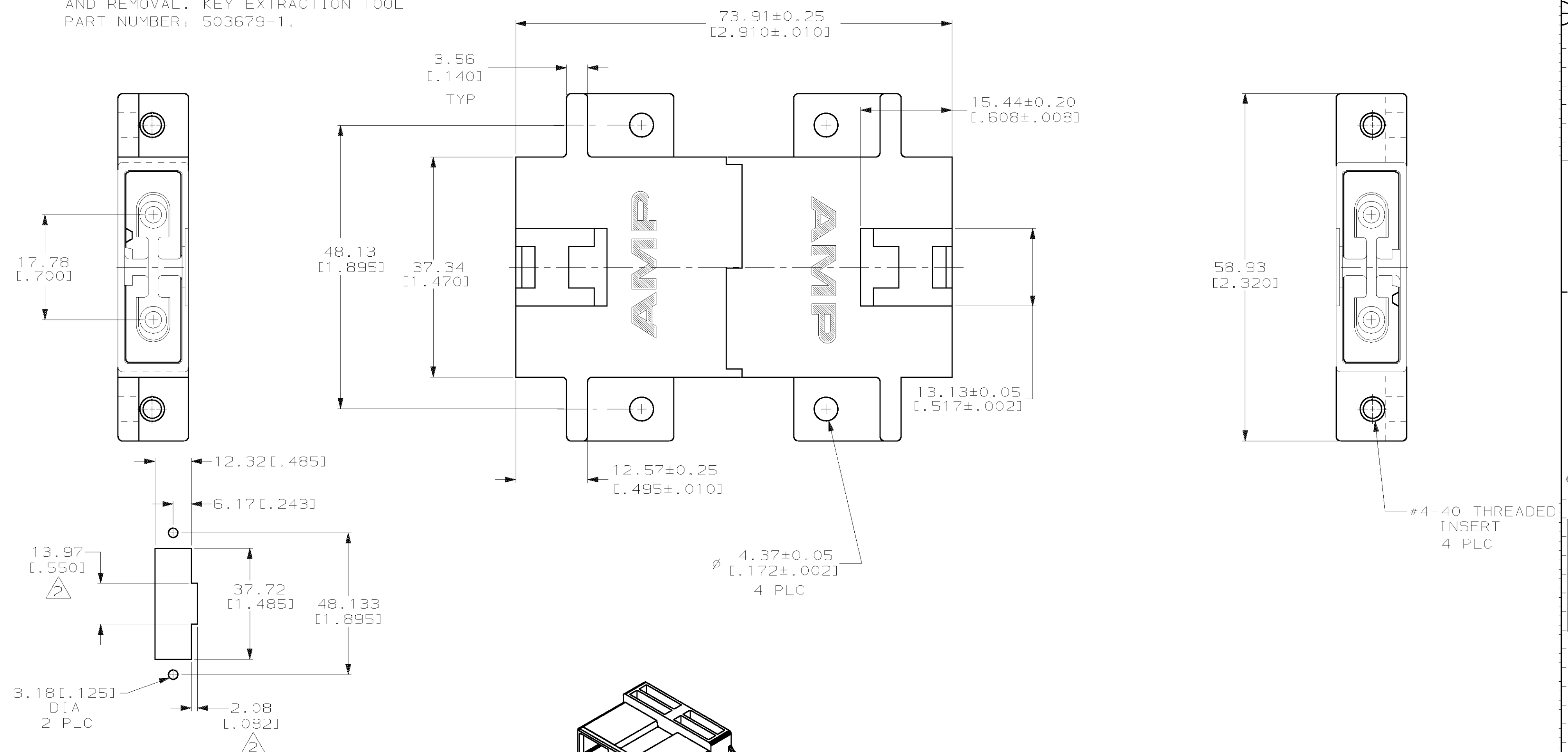


THIS DRAWING IS UNPUBLISHED. RELEASED FOR PUBLICATION
 © COPYRIGHT 19 BY AMP INCORPORATED. ALL INTERNATIONAL RIGHTS RESERVED.

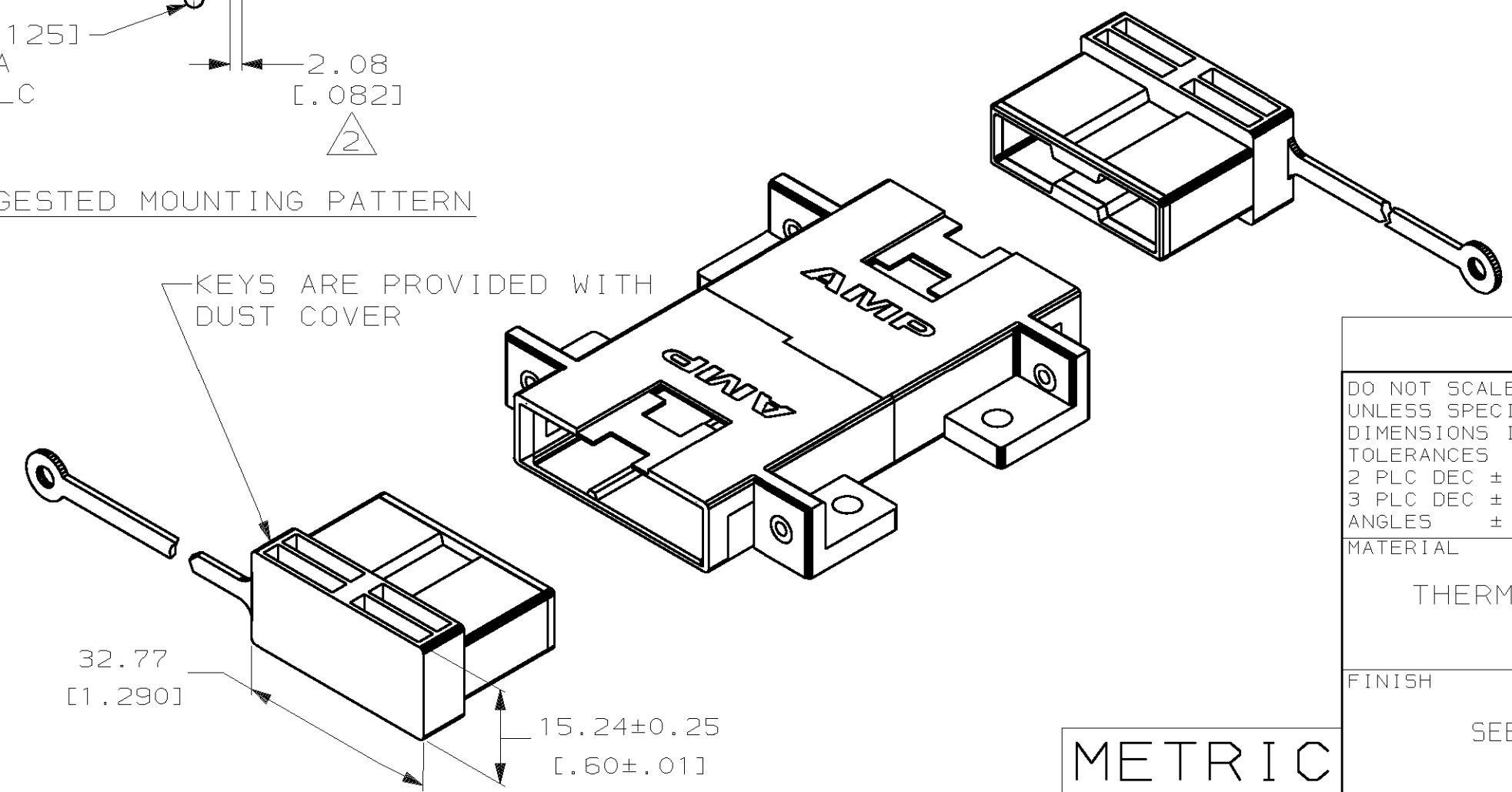
| LOC | | DIST | | P | | F | | ZONE | | LTR | | REVISIONS | | |
|-----|--|------|--|---|--|---|--|------|--|-----|--|--------------------------|-----------|-------|
| CE | | 16 | | | | | | | | C | | DESCRIPTION | DATE | APPD |
| | | | | | | | | | | | | REVISED PER 0A00-0124-00 | 22JAN2001 | TA/SB |

1. DIMENSIONS IN [] ARE IN INCHES.
 2. OPTIONAL CUTOUT FOR FIELD KEY INSERTION AND REMOVAL. KEY EXTRACTION TOOL PART NUMBER: 503679-1.



SUGGESTED MOUNTING PATTERN

KEYS ARE PROVIDED WITH DUST COVER



| | | | |
|----------|-------|---------------------------|-------------|
| OBSOLETE | BEIGE | CERAMIC | 502807-2 |
| | BLACK | CERAMIC | 502807-1 |
| | COLOR | ALIGNMENT SLEEVE MATERIAL | PART NUMBER |
| | | | PART NO |

| | | | |
|--|----------------------------|--|----------------------|
| DO NOT SCALE PRINT. UNLESS SPECIFIED DIMENSIONS IN mm TOLERANCES ON : 2 PLC DEC ± 0.13[.005] 3 PLC DEC ± - ANGLES ± - | DR 10-13-92 R.HILEMAN | AMP INCORPORATED Harrisburg, Pa. 17105 | |
| | CHK 10-14-92 T.FAWCETT | | |
| MATERIAL THERMOPLASTIC | APPD 10-14-92 T.FAWCETT | NAME FSD TO FSD COUPLING ASSEMBLY, FIELD KEYABLE, AMP FSD, SINGLEMODE | |
| FINISH SEE TABLE | APPD 10-14-92 D.FISHER | PRODUCT SPEC - | |
| | APPLICATION SPEC - | SIZE C | FSCM NO 00779 |
| | WEIGHT - | SCALE 2:1 | DRAWING NO 502807 |
| | | | SHEET 1 OF 1 |

METRIC