



Features

- Monostable
- Passes FCC part 68
- Ultra low profile, 4.90mm height
- UL/CUL certified

Contact Data*

Contact Arrangement	2C = DPDT, bifurcated contact
Contact Rating	1A @ 30VDC, Resistive .5A @ 125VAC, Resistive

Contact Resistance	< 50 milliohms initial
Contact Material	AgPd, Au plated
Maximum Switching Power	30W
Maximum Switching Voltage	250VAC, 220VDC
Maximum Switching Current	1A

Coil Data*

Coil Voltage VDC		Coil Resistance Ω +/- 10%	Pick Up Voltage VDC (max) 75% of rated voltage	Release Voltage VDC (min) 10% of rated voltage	Coil Power W	Operate Time ms	Release Time ms
Rated	Max						
3	3.9	64.3	2.25	.3	.14	4	4
5	6.5	178	3.75	.5			
6	7.8	257	4.50	.6			
9	11.7	579	6.75	.9			
12	18.0	1028	9.00	1.2			
24	36.0	2880	18.00	2.4	.20		

General Data*

Electrical Life @ rated load	100K cycles, average
Mechanical Life	10M cycles, average
Insulation Resistance	100M Ω min. @ 500VDC initial
Dielectric Strength, Coil to Contact	1500V rms min. @ sea level initial
Contact to Contact	1000V rms min. @ sea level initial
Between Poles	1000V rms min. @ sea level initial
Initial Surge Voltage, Coil to Contact	2500V (Telcordia, 2x10us)
Contact to Contact	1500V (FCC part 68, 10x60us)
Shock Resistance	750m/s ² for 11 ms
Vibration Resistance	3mm double amplitude 10~40Hz
Operating Temperature	-40°C to +85°C
Storage Temperature	-40°C to +155°C
Solderability	260°C for 5 s
Weight	2g

* Values can change due to the switching frequency, desired reliability levels, environmental conditions and in-rush load levels. It is recommended to test actual load conditions for the application. It is the user's responsibility to determine the performance suitability for their specific application. The use of any coil voltage less than the rated coil voltage may compromise the operation of the relay.

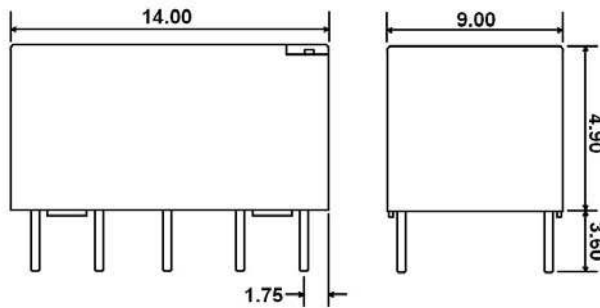
J850

Ordering Information

1. Series	J850	2C	S	6VDC
J850				
2. Contact Arrangement	2C = DPDT			
3. Sealing Option	S = Sealed			
4. Operating Function	Blank = Monostable			
5. Coil Voltage	3VDC 5VDC 6VDC 9VDC 12VDC 24VDC			

Dimensions

Units = mm



Schematics & PC Layouts

Bottom Views

