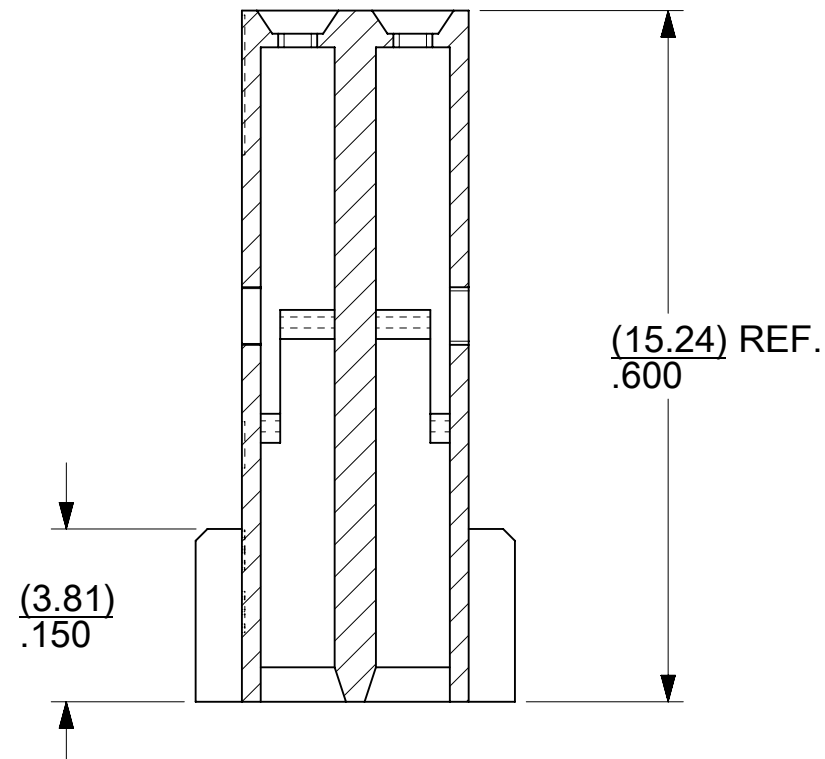
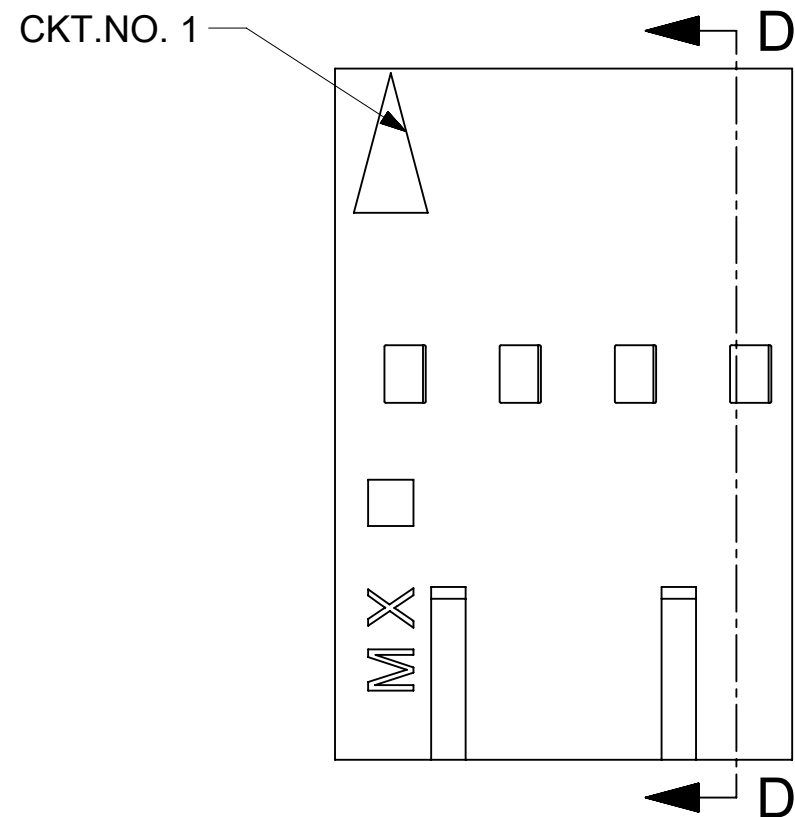


NOTES:

1. MATERIAL:- POLYESTER, GF, UL94 V-0, COLOUR-BLACK
2. HOUSING TO BE USED WITH TERMINALS
PT. NO. 70058-**** & 70028-****
3. TO BE USED WITH (0.64)/.025 SQ. OR RD. PINS.
4. REFER TO PRODUCT SPECIFICATION
5. REFER TO PRODUCT SPECIFICATION PS-70058.
6. PACKAGE PER PK-70450-100.
7. PARTS CONFORMS TO CLASS C OF COSMETIC SPECIFICATION PS-45499-002.



SECTION D-D

CHART

| CKT. SIZE | EDP. NO. | ENG. NO. | A | B |
|-----------|-------------|------------|------------------|------------------|
| 4 | 022-55-2043 | 70450-0100 | (2.54) .100 | (5.05) .199 |
| 6 | 022-55-2063 | 70450-0101 | (5.08) .200 | (7.59) .299 |
| 8 | 022-55-2083 | 70450-0102 | (7.62) .300 | (10.13) .399 |
| 10 | 022-55-2103 | 70450-0103 | (10.16) .400 | (12.67) .499 |
| 12 | 022-55-2123 | 70450-0104 | (12.70) .500 | (15.21) .599 |
| 14 | 022-55-2143 | 70450-0105 | (15.24) .600 | (17.75) .699 |
| 16 | 022-55-2163 | 70450-0106 | (17.78) .700 | (20.29) .799 |
| 18 | 022-55-2183 | 70450-0107 | (20.32) .800 | (22.83) .899 |
| 20 | 022-55-2203 | 70450-0108 | (22.86) .900 | (25.37) .999 |
| 22 | 022-55-2223 | 70450-0109 | (25.40) 1.000 | (27.91) 1.099 |
| 24 | 022-55-2243 | 70450-0110 | (27.94) 1.100 | (30.45) 1.199 |
| 26 | 022-55-2263 | 70450-0111 | (30.48) 1.200 | (32.99) 1.299 |
| 28 | 022-55-2283 | 70450-0112 | (33.02) 1.300 | (35.53) 1.399 |
| 30 | 022-55-2303 | 70450-0113 | (35.56) 1.400 | (38.07) 1.499 |
| 32 | 022-55-2323 | 70450-0114 | (38.10) 1.500 | (40.61) 1.599 |
| 34 | 022-55-2343 | 70450-0115 | (40.64) 1.600 | (43.15) 1.699 |
| 36 | 022-55-2363 | 70450-0116 | (43.18) 1.700 | (45.69) 1.799 |
| 38 | 022-55-2383 | 70450-0117 | (45.72) 1.800 | (48.23) 1.899 |
| 40 | 022-55-2403 | 70450-0118 | (48.26) 1.900 | (50.77) 1.999 |
| 42 | 022-55-2423 | 70450-0119 | (50.80) 2.000 | (53.31) 2.099 |
| 44 | 022-55-2443 | 70450-0120 | (53.34) 2.100 | (55.85) 2.199 |
| 46 | 022-55-2463 | 70450-0121 | (55.88) 2.200 | (58.39) 2.299 |
| 48 | 022-55-2483 | 70450-0122 | (58.42) 2.300 | (60.93) 2.399 |
| 50 | 022-55-2503 | 70450-0123 | (60.96) 2.400 | (63.47) 2.499 |
| 52 | 022-55-2523 | 70450-0124 | (63.50) 2.500 | (66.01) 2.599 |
| 54 | 022-55-2543 | 70450-0125 | (66.04) 2.600 | (68.55) 2.699 |

| FUNCTIONAL SYMBOLS $\frac{F}{A} = 0$ $\frac{F}{C} = 0$ $\frac{F}{P} = 0$ | THIS DRAWING CONTAINS INFORMATION THAT IS PROPRIETARY TO MOLEX ELECTRONIC TECHNOLOGIES, LLC AND SHOULD NOT BE USED WITHOUT WRITTEN PERMISSION | | CURRENT REV DESC: | | | | | | | | | | | | | | | | | | | | | | |
|--|--|--|---|--|--|--|--------------------------|----------|---|---|----------|---|--------|----------|--------|---|---------|--------|---|----------|---|---|-------------|---------|--|
| | DIMENSION UNITS: INCH SCALE: 4:1 | | EC NO: 733621 DRWN: KEVINS31 CHK'D: KEVINS31 APPR: ISHWARG | | | 2022/12/26 2023/01/03 2023/01/03 | | | | | | | | | | | | | | | | | | | |
| | GENERAL TOLERANCES (UNLESS SPECIFIED) | | INITIAL REVISION: DRWN: MJM APPR: WAZ | | | | 1986/10/22 1986/10/22 | | | | | | | | | | | | | | | | | | |
| | <table border="1"> <thead> <tr> <th></th> <th>MM</th> <th>INCH</th> </tr> </thead> <tbody> <tr> <td>4 PLACES</td> <td>±</td> <td>±</td> </tr> <tr> <td>3 PLACES</td> <td>±</td> <td>± 0.01</td> </tr> <tr> <td>2 PLACES</td> <td>± 0.25</td> <td>±</td> </tr> <tr> <td>1 PLACE</td> <td>± 0.35</td> <td>±</td> </tr> <tr> <td>0 PLACES</td> <td>±</td> <td>±</td> </tr> <tr> <td>ANGULAR TOL</td> <td colspan="2">± 0.5 °</td> </tr> </tbody> </table> | | | MM | | INCH | | 4 PLACES | ± | ± | 3 PLACES | ± | ± 0.01 | 2 PLACES | ± 0.25 | ± | 1 PLACE | ± 0.35 | ± | 0 PLACES | ± | ± | ANGULAR TOL | ± 0.5 ° | |
| | MM | INCH | | | | | | | | | | | | | | | | | | | | | | | |
| 4 PLACES | ± | ± | | | | | | | | | | | | | | | | | | | | | | | |
| 3 PLACES | ± | ± 0.01 | | | | | | | | | | | | | | | | | | | | | | | |
| 2 PLACES | ± 0.25 | ± | | | | | | | | | | | | | | | | | | | | | | | |
| 1 PLACE | ± 0.35 | ± | | | | | | | | | | | | | | | | | | | | | | | |
| 0 PLACES | ± | ± | | | | | | | | | | | | | | | | | | | | | | | |
| ANGULAR TOL | ± 0.5 ° | | | | | | | | | | | | | | | | | | | | | | | | |
| DRAFT WHERE APPLICABLE MUST REMAIN WITHIN DIMENSIONS | | DRAWING: C-SIZE SERIES: 70450 | | MATERIAL NUMBER: SEE CHART CUSTOMER: GENERAL MARKET SHEET NUMBER: 1 OF 1 | | | | | | | | | | | | | | | | | | | | | |