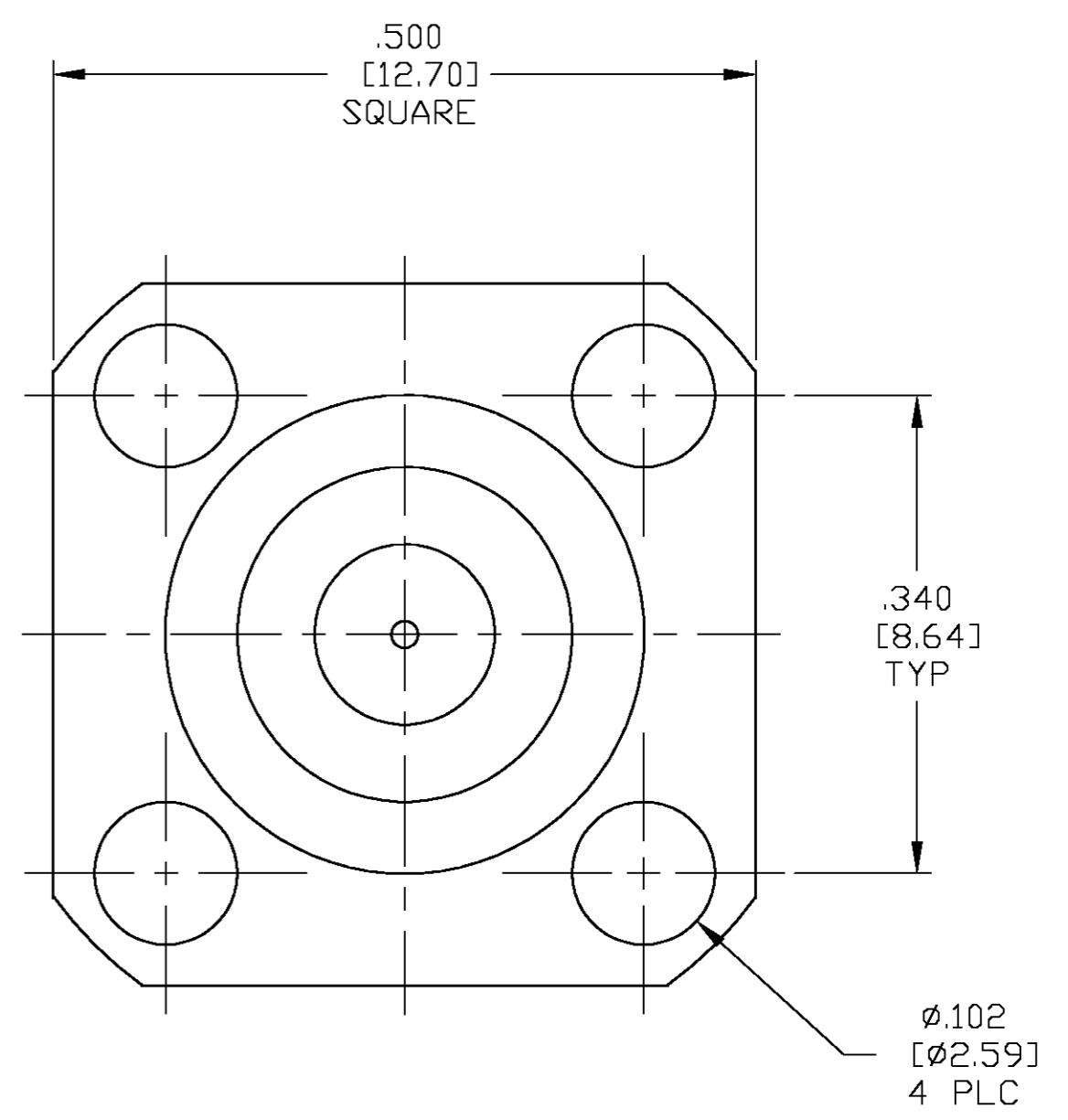
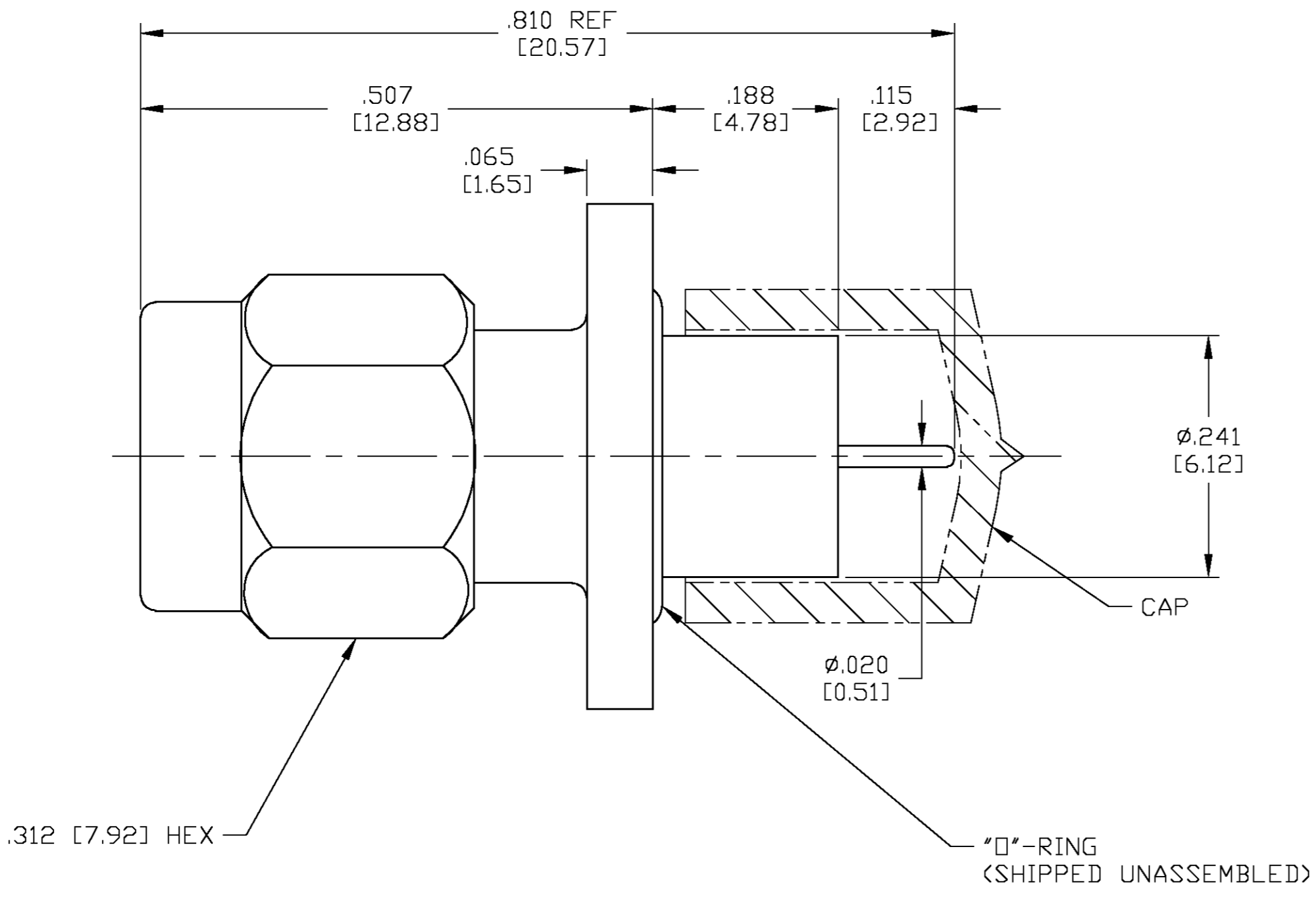


THIS DRAWING IS UNPUBLISHED.			RELEASED FOR PUBLICATION		
© COPYRIGHT BY TYCO ELECTRONICS CORPORATION. ALL RIGHTS RESERVED.					
COMPONENT	MATERIAL	FINISH			
HOUSING COUPLING NUT	STAINLESS STEEL PER ASTM-A-484 OR ASTM-A-582 TYPE 303	GOLD PLATED PER ASTM-B-488			
DIELECTRIC	PTFE FLUORCARBON PER ASTM-D-484	-			
CENTER CONTACT	BERYLLIUM COPPER PER ASTM-B-196 OR 197 ALLOY C17300, CONDITION H	GOLD PLATED PER ASTM-B-488			
RETAINING RING	BERYLLIUM COPPER PER ASTM-B-194 ALLOY C17200, CONDITION H	-			
CONTACT EXTENSION	ALLOY 152	GOLD PLATED PER ASTM-B-488			
GASKET	SILICONE RUBBER PER ZZ-R-765	-			
"O"-RING	ETHYLENE PROPYLENE PER ASTM-D2000-70 2AA815813F17L14	-			
HERMETIC SEAL	GLASS BEAD	-			

LOC	DIST	REVISIONS					
DF	X0	P	LTR	DESCRIPTION	DATE	DWN	APVD
		0		RELEASED	4-03	CT	RG



1. CAPTURED CENTER CONTACT.

1484943-1
PART NO.

THIS DRAWING IS A CONTROLLED DOCUMENT.		DWN	C.C.THOMAS	4-1-03	tyco Electronics	Tyco Electronics Corporation Harrisburg, PA 17105	
DIMENSIONS: INCHES [mm]		CHK	R.GROSS	4-1-03		NAME	
TOLERANCES UNLESS OTHERWISE SPECIFIED:		APVD	R.GROSS	4-1-03	SMA FOUR HOLE FLANGE MOUNT SHELL ASSEMBLY, HERMETICALLY SEALED		
0 PLC ± -		PRODUCT SPEC	SIZE				
1 PLC ± -		APPLICATION SPEC	CAGE CODE				
2 PLC ± -		WEIGHT	DRAWING NO				
3 PLC ± .005 [0.13]		CUSTOMER DRAWING	RESTRICTED TO				
4 PLC ± -		SCALE	A2 00779 C=1484943				
ANGLES ± -		SHEET	1 OF 1				
FINISH		REV	0				