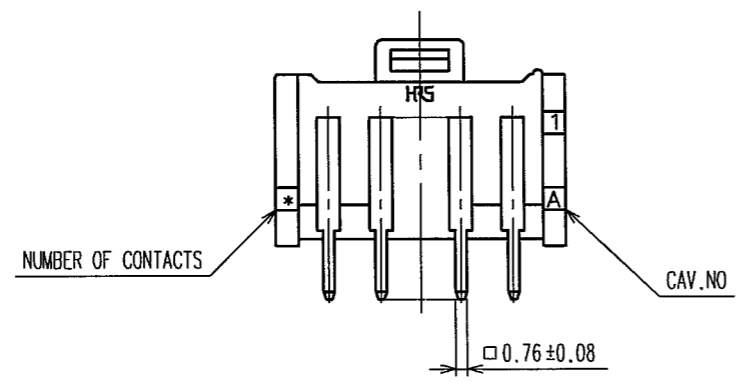
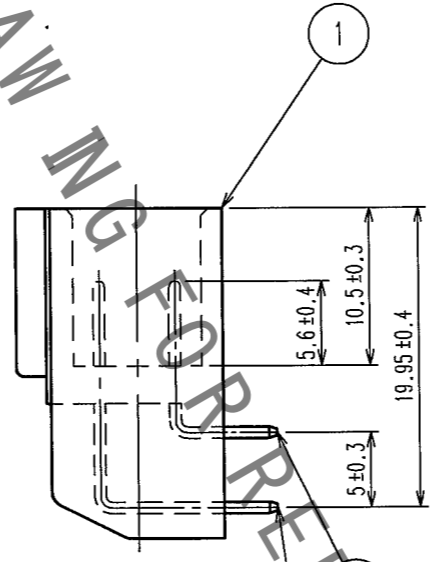
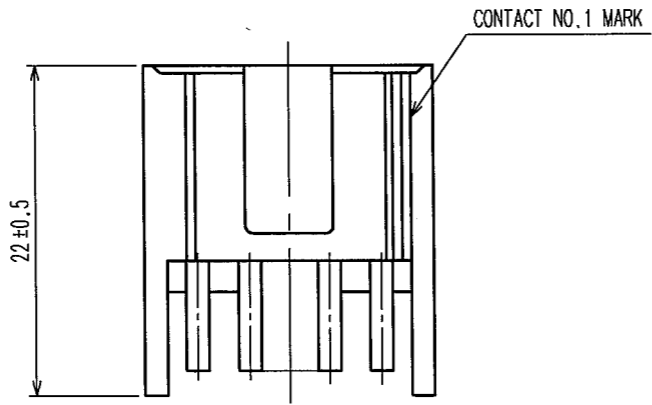
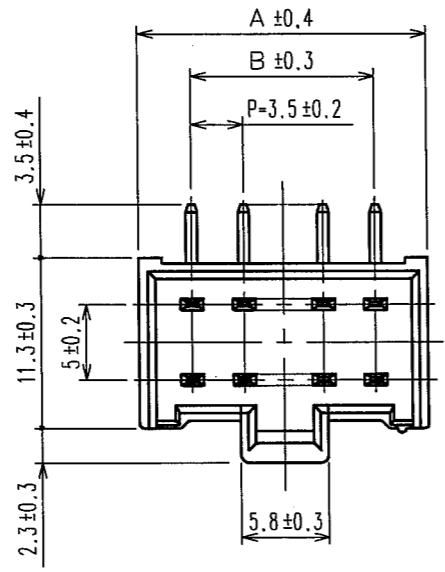
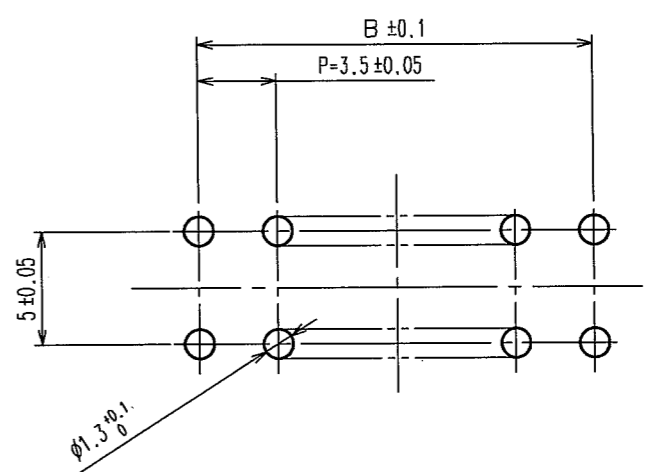


COUNT	DESCRIPTION OF REVISIONS	BY	CHKD	DATE	COUNT	DESCRIPTION OF REVISIONS	BY	CHKD	DATE
△				..	△				..
△				..	△				..
△				..	△				..



CODE NO.	PART NO.	NUMBER OF CONTACTS	A	B
CL547-0270-0-05	MDF6- 4DP-3.5DS(05)	4	10.5	3.5
CL547-0271-2-05	MDF6- 6DP-3.5DS(05)	6	14.0	7.0
CL547-0272-5-05	MDF6- 8DP-3.5DS(05)	8	17.5	10.5
CL547-0273-8-05	MDF6-10DP-3.5DS(05)	10	21.0	14.0

RECOMMENDED PATTERN



2	BRASS	SURFACE:TIN-COPPER PLATED 1μ m min UNDER PLATING:NICKEL 0.5μ m min	3	BRASS	SURFACE:TIN-COPPER PLATED 1μ m min UNDER PLATING:NICKEL 0.5μ m min		
1	POLYAMIDE	WHITE,UL94V-0					
NO.	MATERIAL	FINISH, REMARKS	NO.	MATERIAL	FINISH, REMARKS		
CODE NO.(OLD) CL			DRAWN	DESIGNED	CHECKED	APPROVED	RELEASED
			M.Nakamoto '04.04.15	H.Umehara '04.04.16	J.Ota 04.04.16	J.Ota 04.04.16	..
DRAWING NO. EDC3-162426-10			PART NO. MDF6-*DP-3.5DS(05)				
SCALE 2 : 1			CODE NO. CL547-				
UNITS mm			HRS HIROSE ELECTRIC CO., LTD				

HRS DRAWING FOR REFERENCE

TO