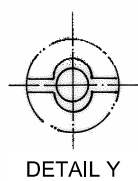
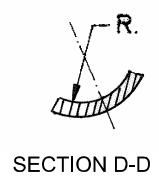
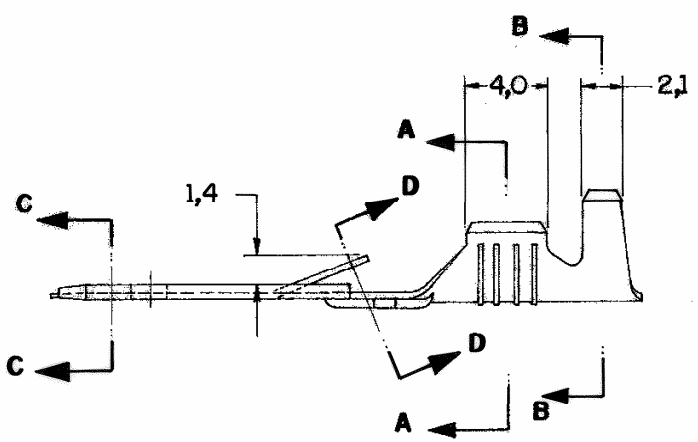
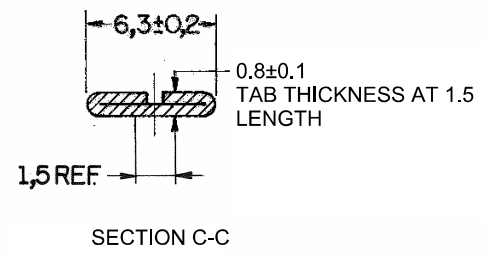
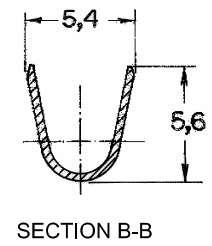
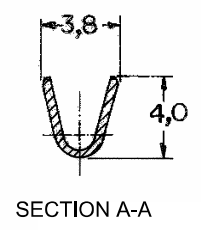
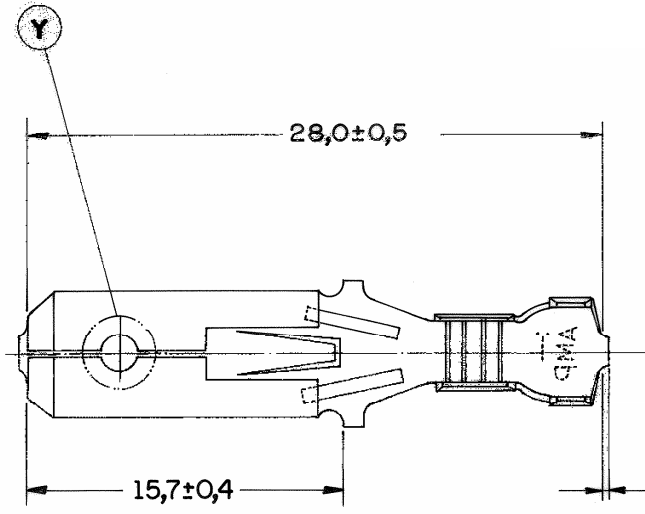


C-880654

DO NOT SCALE
DIMENSIONS IN mm.

3rd ANGLE PROJECTION

REV	DESCRIPTION	DATE	DWN	APVD
A1	REVISED PER ECO-14-014586	30SEP2014	NK	TD



OPTIONAL CONSTRUCTION

1 ORIGINAL STRIP FORM PART NUMBER 880636.

OBSOLETE	PRATEADO SILVER PLATED	BRONZE FOSE PHOS. BRONZE	8
	PRATEADO SILVER PLATED	LATAO BRASS	7
	PRE ESTANHADO PRE-TIN	BRONZE FOSE PHOS. BRONZE	6
	PRE ESTANHADO PRE-TIN	LATAO BRASS	5
	ESTANHADO ELECTRO-TIN	BRONZE FOSE PHOS. BRONZE	4
		BRONZE FOSE PHOS. BRONZE	3
	ESTANHADO ELECTRO-TIN	LATAO BRASS	2
		LATAO BRASS	880654 -1
	FINISH	MATERIAL	PART NUMBER

TOLERANCES UNLESS OTHERWISE STATED DEC ± 0,3 ANGLES ± 1°	INS. DIA. RANGE 2,7-3,7 mm	WIRE RANGE >1,0-2,5mm	SCALE 4:1
DR. D. A. Rocha 28-DEC-94	TE Connectivity		
CHK J.R. FOLDSCHMIDT 17-MAR-95			
DE. 20 MAR. 95 H.B. VASCONCELLOS			
CUSTOMER DWG APP. R. INDRIKSONS for REFERENCE ONLY 20 MAR 95			
DESCRIPTION TERMINAL 250 SERIES FASTIN-FASTON TAB LOOSE PIECE		SHEET 1 OF 1	REV A1