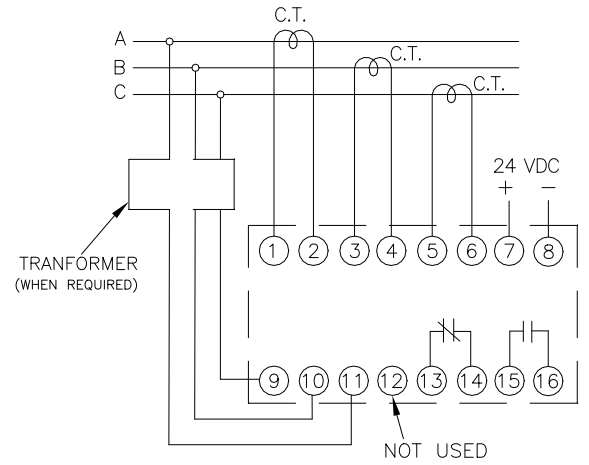
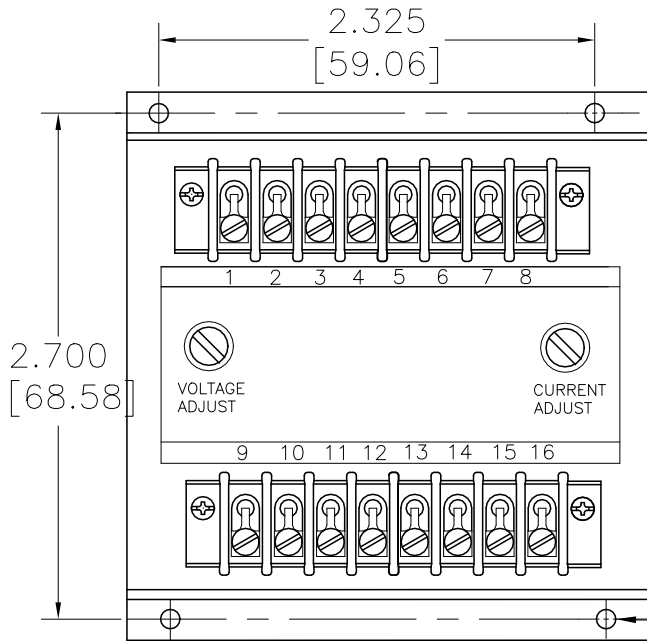


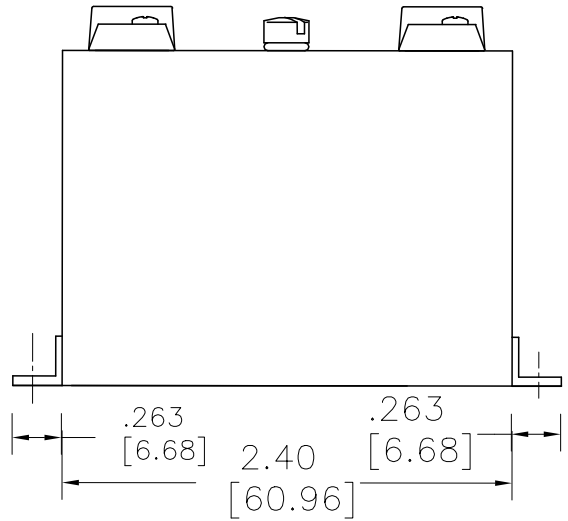
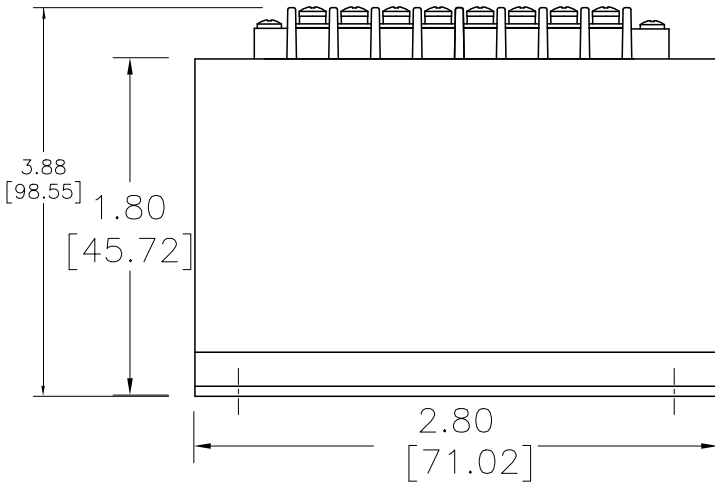
1200-5X OVER CURRENT RELAY VOLTAGE CONTROLLED

REVISIONS

REV.	ECO	DESCRIPTION	DATE	APPROVED
B	ECO-	-	22AUG2020	TN



ø .172 [4.37]  
4 MTG. HOLES



NOTES:

1. REMOVE SCREWS FOR ACCESS TO THE VOLTAGE AND CURRENT ADJUSTMENTS.
2. CLOCKWISE ROTATION OF THE VOLTAGE ADJUST POTENTIOMETER WILL RAISE THE VOLTAGE OVERRIDE POINT.
3. CLOCKWISE ROTATION OF THE CURRENT ADJUST WILL RAISE THE CURRENT TRIP POINT.
4. SURGE WITHSTAND CAPABILITY, ANSI/IEEE C3790-1978 MODEL 1200-6X.



TITLE

OVER CURRENT RELAY VOLTAGE CONTROLLED

TE P.N.

1618061-6

DWG NO.

1200-5X

DS DATA SHEET

CAGE CODE  
18741

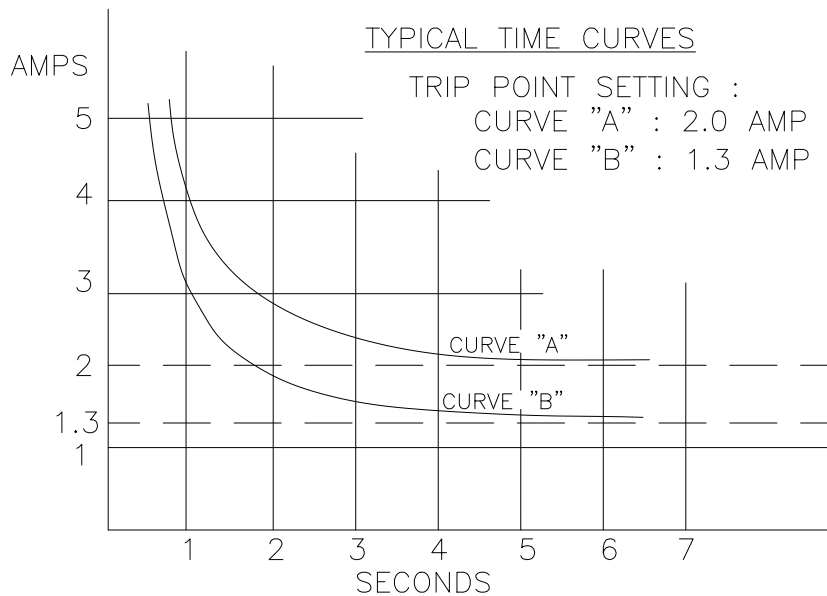
SCALE  
NONE


SHEET  
1 OF 2

REV  
B

SPECIFICATION

1. CURRENT SENSING UNIT : ENERGIZES THE OUTPUT RELAY WHEN CURRENT IN ANY PHASE EXCEEDS THE PRESET VALUE. THE TRIP POINT IS SCREWDRIVER ADJUSTABLE TO ANY VALUE FROM 1.0 AMP TO 5.0 AMP.
2. VOLTAGE SENSING UNIT : OVERRIDES THE CURRENT SENSING UNIT FOR ANY VOLTAGE ABOVE THE PRESET VALUE. VOLTAGE SENSING IS 3 PHASE, 115 VOLTS LINE TO LINE, 50/60 HZ NOMINAL. THE ADJUSTMENT RANGE IS 80-120 VAC, AVERAGE OF THE 3 PHASES.
3. SUPPLY POWER :24 VDC.
4. OUTPUT CONTACTS : ONE SET NORMALLY CLOSED, ONE SET NORMALLY OPEN.
5. CONTACT RATING: 5 AMP RESISTIVE AT 120 VAC OR 28 VDC.
6. OPERATING TEMPERATURE : -25°F TO +150° F.
7. CONSTRUCTION : SOLID STATE SENSOR WITH RELAY OUTPUT ENCLOSED IN A SEALED STEEL CAN.



 TE CONNECTIVITY CARPINTERIA, CA 93013		TITLE OVER CURRENT RELAY VOLTAGE CONTROLLED			
		TE P.N. 1618061-6		DWG NO. 1200-5X	
DS	DATA SHEET	CAGE CODE 18741	SCALE NONE	SHEET 2 OF 2	REV B