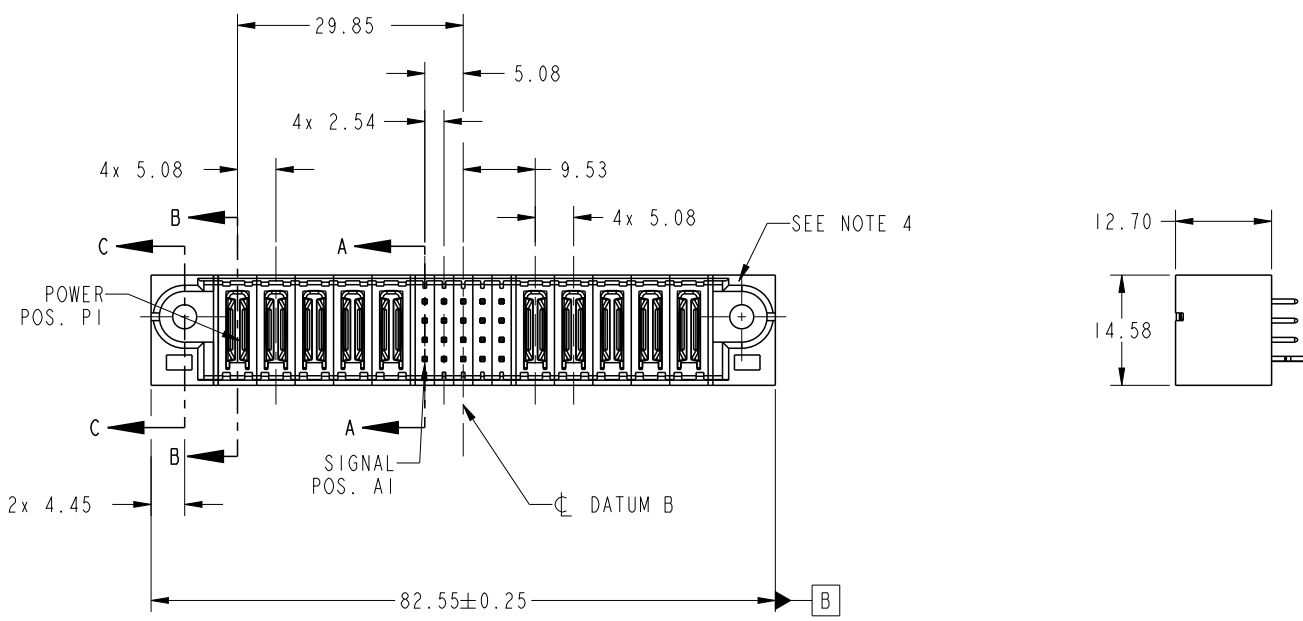


PRODUCT NO.	ROWS	POWER					SIGNAL					POWER					E2			
		E1	P1	P2	P3	P4	P5	1	2	3	4	5	P6	P7	P8	P9		P10		
51952-284-- NOTE ③	D C B A		PA	PA	PA	PA	PA	E	E	E	E	E	E	E	PA	PA	PA	PA	PA	



CODE	DIM "M" MATING LENGTH	CONTACT TYPE
PA	[N/A]	POWER
E	[6.86]	SIGNAL
HA	[N/A]	HOLD-DOWN

spec ref	See Notes			dr	Ruan MT	2014/07/21	projection 	MM ←→	size	A4	scale	1:1	
tolerance std	TOLERANCES UNLESS OTHERWISE SPECIFIED			eng	Ruan MT	2014/08/12			ecn no	-			
See Notes				chr	-	-			rel level	Released			
surface	✓	linear	0.X	±0.50	FCI www.fci.com	5DCP + 20S + 5DCP VERTICAL STB HEADER	cat. no.	&model_name	Product - Customer Drw	dwg no	51952-284	rev	A
			0.XX	±0.25								sheet 1 of 4	
		angular	0°	±2°									

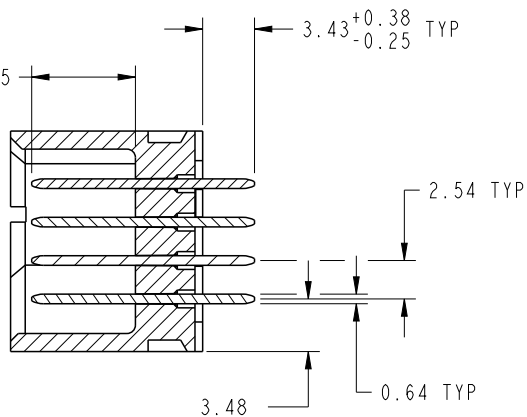


Copyright FCI.

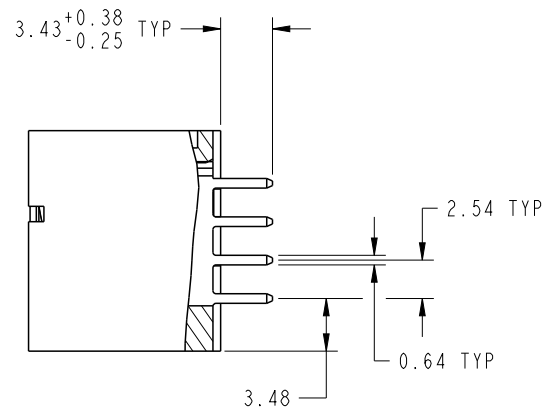
PRODUCT NUMBER

51952-284\_\_  
NOTE 3

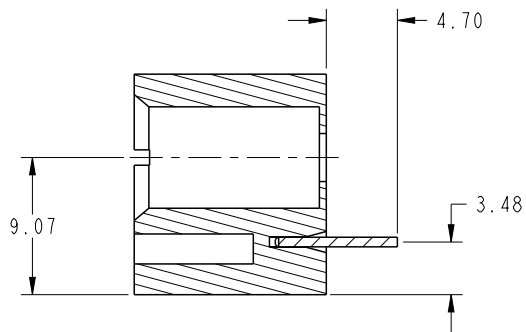
DIM "M" ±0.25



SECTION A-A  
SCALE 2:1



SECTION B-B  
SCALE 2:1

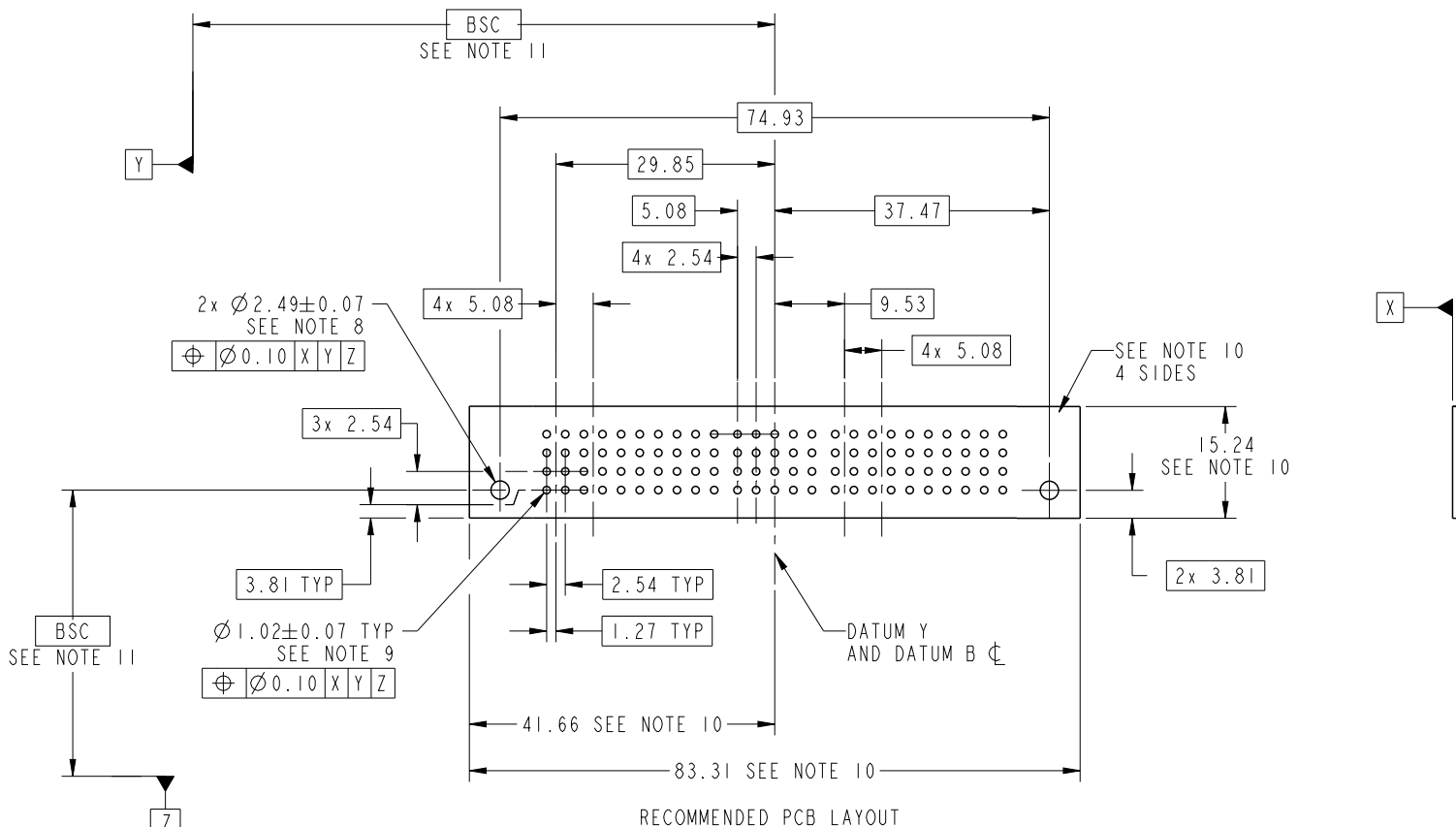


SECTION C-C  
SCALE 2:1

dr	Ruan MT	2014/07/21	projection 	MM 	size	A4	scale	1:1	
eng	Ruan MT	2014/08/12			ecn no	-			
chr	-	-			rel level	Released			
appr	Pei-Ming Zheng	2014/08/12	product family	PwrBlade					
		title	5DCP + 20S + 5DCP VERTICAL STB HEADER		dwg no	51952-284		rev	A
www.fci.com		cat. no.	&model_name	Product - Customer Drw		sheet 2 of 4			

PRODUCT NUMBER

51952-284\_\_  
NOTE 3



RECOMMENDED PCB LAYOUT



Copyright FCI.

dr	Ruan MT	2014/07/21	projection 	MM 	size	A4	scale	1:1			
eng	Ruan MT	2014/08/12			ecn no	-					
chr	-	-			rel level	Released					
appr	Pei-Ming Zheng	2014/08/12	product family	PwrBlade							
		title			5DCP + 20S + 5DCP		dwg no		51952-284	rev	A
www.fci.com		cat. no.	&model_name	Product - Customer Drw			sheet 3 of 4				

PRODUCT NUMBER

51952-284\_\_  
NOTE 3

NOTES:

1. DIMENSIONS AND TOLERANCES ARE IN ACCORDANCE WITH ASME Y14.5M, 1994 UNLESS OTHERWISE SPECIFIED.

CONNECTOR NOTES:

- 2 HOUSING MATERIAL: UL 94 V-0 GLASS FILLED HIGH-TEMP THERMOPLASTIC  
POWER CONTACT MATERIAL: COPPER ALLOY  
SIGNAL PIN MATERIAL: COPPER ALLOY
  - 3. SEE ITEM 1 & 2 IN PRINT 10064183 FOR PLATING SPEC OF 51952-284 AND 51952-284LF RESPECTIVELY.
  - 4 MANUFACTURER'S NAME, DATE CODE AND OPTIONAL P/N TO APPEAR ON THIS SURFACE. THE MARK CAN BE OMITTED IF THERE IS NOT ENOUGH SPACE ON THIS SURFACE.
  - 5. PRODUCT SPECIFICATION GS-12-149.  
APPLICATION SPECIFICATION BUS-20-067.
  - 6. PACKAGED IN TRAYS.
- PCB NOTES:
- 7. ALL HOLE DIAMETERS ARE FINISHED HOLE SIZE.
  - 8. MOUNTING HOLES, WHERE APPLICABLE, ARE UNPLATED.

9  $\varnothing 1.151 \pm 0.025$  DRILLED HOLES PLATED WITH 0.008 MIN SnPb OR Sn OVER .001 [0.03] TO 0.08 Cu PLATING TO ACHIEVE  $\varnothing 1.02 \pm 0.07$  HOLE.

10 CONNECTOR KEEP-OUT ZONE.

11. DATUM AND BASIC DIMENSIONS ARE ESTABLISHED BY CUSTOMER.

dr	Ruan MT	2014/07/21	projection 	MM 	size	A4	scale	1:1	
eng	Ruan MT	2014/08/12			ecn no	-			
chr	-	-							
appr	Pei-Ming Zheng	2014/08/12	product family	PwrBlade	rel level	Released			
	title			5DCP + 20S + 5DCP	dwg no	51952-284		rev	A
www.fci.com	cat. no.		&model_name	Product - Customer Drw			sheet 4 of 4		



Copyright FCI.