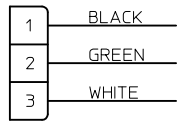
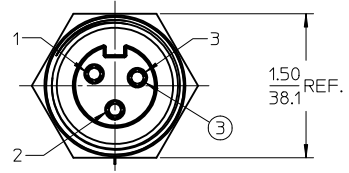
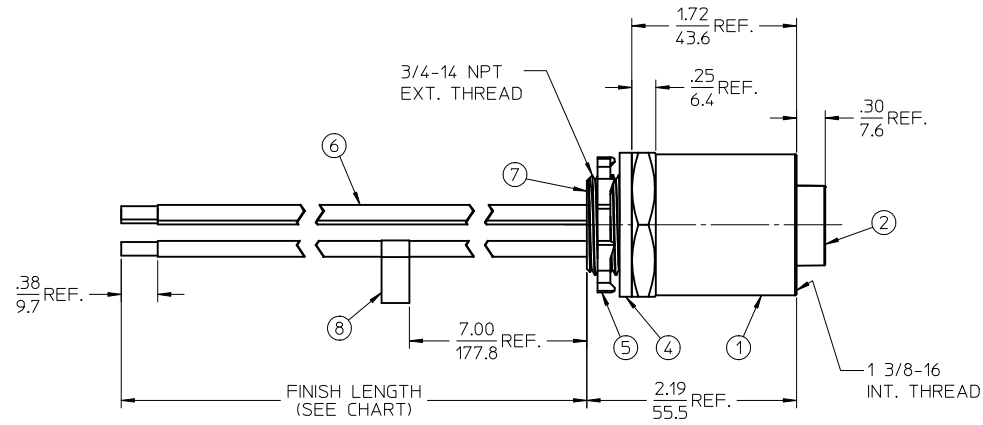
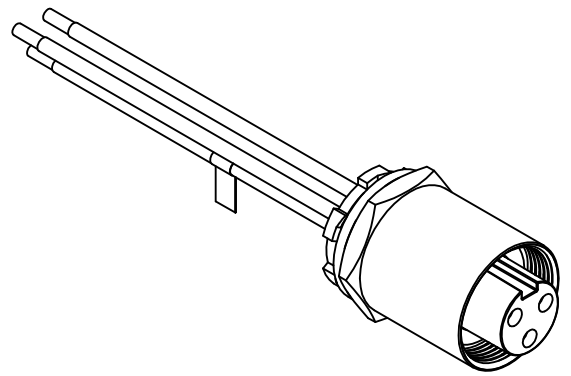
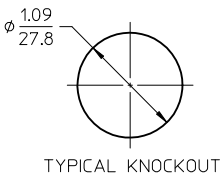


MATERIAL NUMBER	OLD PART NUMBER	FINISH LENGTH
1300660134	CR3C00A30M005	1.64' +1.75'/-0 [0.5M +44.5'/-0]



WIRING DIAGRAM



- NOTES:
1. MATERIAL: SEE TABLE
 2. FINISHES: SEE TABLE
 3. PACKAGING: PART IS PACKED IN POLY BAG.
 4. FLAG LABEL LOCATED ON GREEN WIRE.
 5. MATES WITH: QC 3 POLE MALE CABLE ASSEMBLY.
 6. ELECTRICAL SPECIFICATIONS:
VOLTAGE RATING: 600V AC/DC
CURRENT RATING: 30 AMPS

8	1	FLAG LABEL	VINYL	YELLOW
7	A/R	POTTING	EPOXY	BLACK
6	3	#10-1 WIRE THHN	PVC JACKET	SEE WIRING DIAGRAM
5	1	LOCKNUT	STEEL	ZINC PLATED
4	1	GASKET	NEOPRENE	BLACK
3	3	SOCKET CONTACT	COPPER ALLOY	GOLD PLATED
2	1	FEMALE INSERT, 3 POLE	PVC	BLACK
1	1	RECEPTACLE SHELL	ALUMINUM	CLEAR ANODIZED
ITEM	QTY.	DESCRIPTION	MATERIAL	FINISH

INITIAL RELEASE	EC NO: MNA2010-0433	DRWN:CLYORK 2010/01/18	CHKD:WOODMAN 2010/01/18	APPR:DTITUS 2010/01/20
REV	A	DESCRIPTION	QUALITY SYMBOLS	▽=0

GENERAL TOLERANCES (UNLESS SPECIFIED)	DIMENSION STYLE	SCALE	DESIGN UNITS	THIRD ANGLE PROJECTION
	IN/MM	1:1	INCH	
	mm			
	INCH			
4 PLACES ± .005	± .005			
3 PLACES ± .005	± .005			
2 PLACES ± .010	± .010			
1 PLACE ± 0.3	± .005			
ANGULAR ±1/2°				
DRAFT WHERE APPLICABLE MUST REMAIN WITHIN DIMENSIONS				

DRAWN BY	DATE	TITLE
CLYORK	2010/01/18	BRAD POWER FEMALE, 3/4\"/>
CHECKED BY	DATE	
BWOODMAN	2010/01/18	
APPROVED BY	DATE	
DTITUS	2010/01/20	

MATERIAL NO.	DOCUMENT NO.	SHEET NO.
SEE CHART	SD-130066-052	1 OF 1
THIS DRAWING CONTAINS INFORMATION THAT IS PROPRIETARY TO MOLEX INCORPORATED AND SHOULD NOT BE USED WITHOUT WRITTEN PERMISSION		