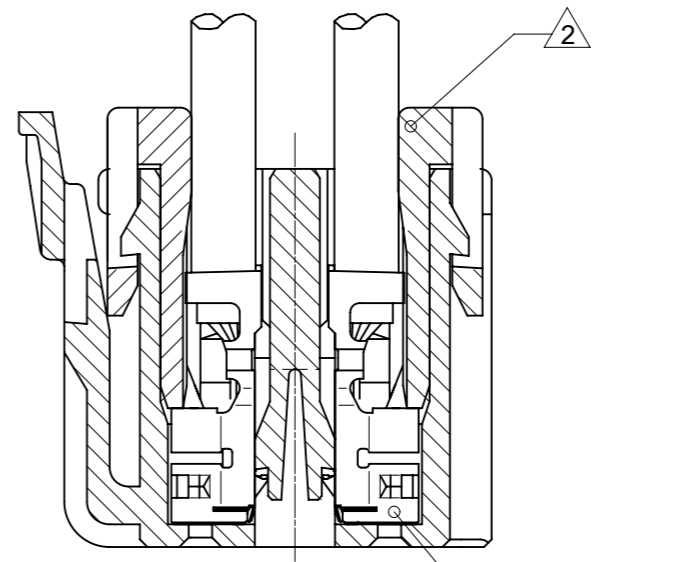


30 CIRCUIT

40 CIRCUIT

VIEW OF 30,40 CIRCUIT (2:1)



TERMINAL & RETAINER ASSEMBLY DRAWING SCALE 5:1

- NOTES:
1. APPLICABLE TERMINAL : SERIES 56134, 59370
  2. APPLICABLE RETAINER : SERIES 55767
  3. MATE WITH : SERIES 55763
  4. APPLY FOR (CIRCUIT/2)= EVEN
  5. MATERIAL NO.

51242-\*\*0\*

CIRCUIT SIZE	COLOR	NATURAL(WHITE)	0
		RED	2

6. MATERIAL : 66 NYLON, UL94V-0

40	51242-400*	43.8	38	40.9	25
30	51242-300*	33.8	28	30.9	15
20	51242-200*	23.8	18	20.9	13
CKT.	MATERIAL NO.	A	B	C	D

THIS DRAWING CONTAINS INFORMATION THAT IS PROPRIETARY TO MOLEX ELECTRONIC TECHNOLOGIES, LLC AND SHOULD NOT BE USED WITHOUT WRITTEN PERMISSION

DIMENSION UNITS	SCALE	CURRENT REV DESC:			
mm	4:1				
GENERAL TOLERANCES (UNLESS SPECIFIED)					
ANGULAR TOL	± 3.0 °				
4 PLACES	± 0.0	EC NO: 726698			
3 PLACES	± 0.0	DRWN: HKOBAYASHI 2022/10/11			
2 PLACES	± 0.2	CHK'D: AIDA 2022/11/04			
1 PLACE	± 0.2	APPR: SAKIYAMA 2022/11/04			
0 PLACES	± 0.2	INITIAL REVISION:			
DRAFT WHERE APPLICABLE MUST REMAIN WITHIN DIMENSIONS		THIRD ANGLE PROJECTION		DRAWING	SERIES
		A3-SIZE		51242	
		MATERIAL NUMBER		CUSTOMER	SHEET NUMBER
		SD-51242-002		GENERAL MARKET	1 OF 1