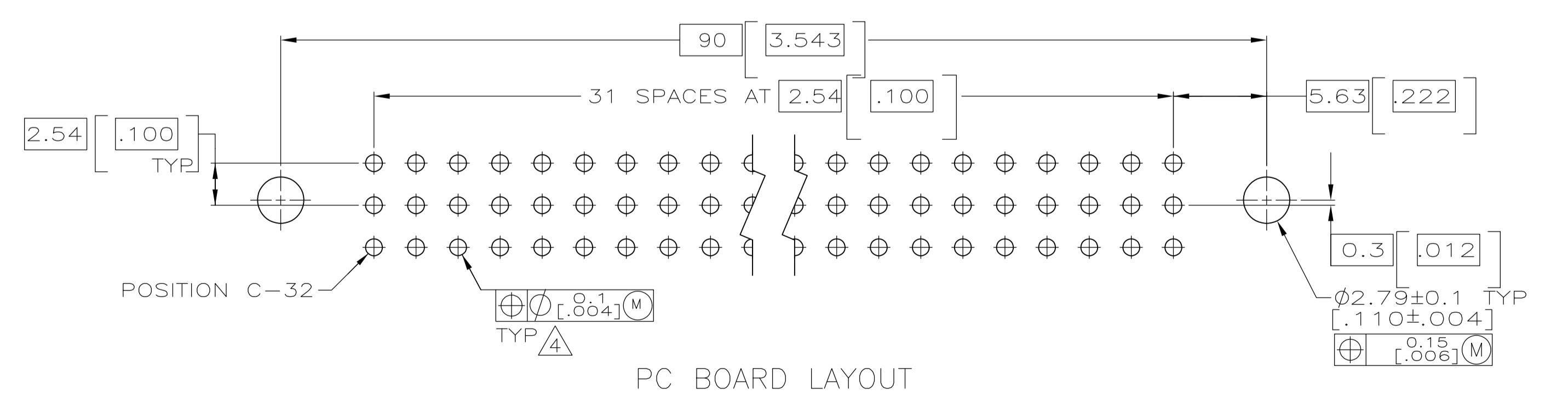
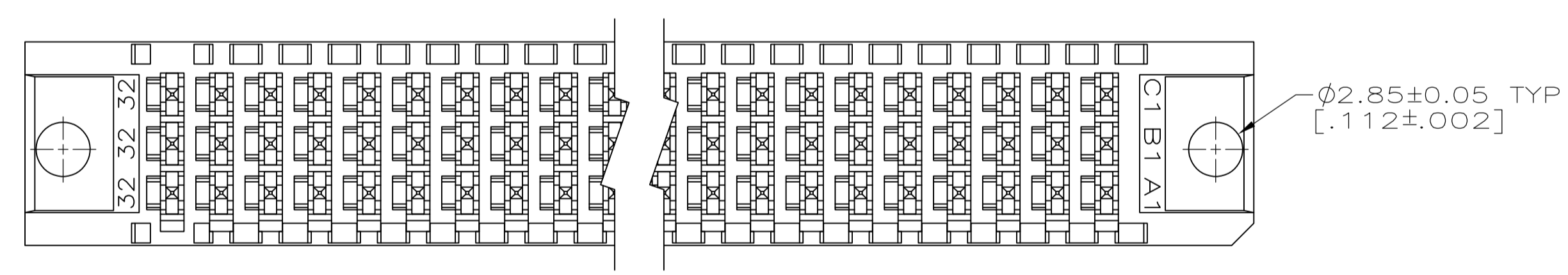
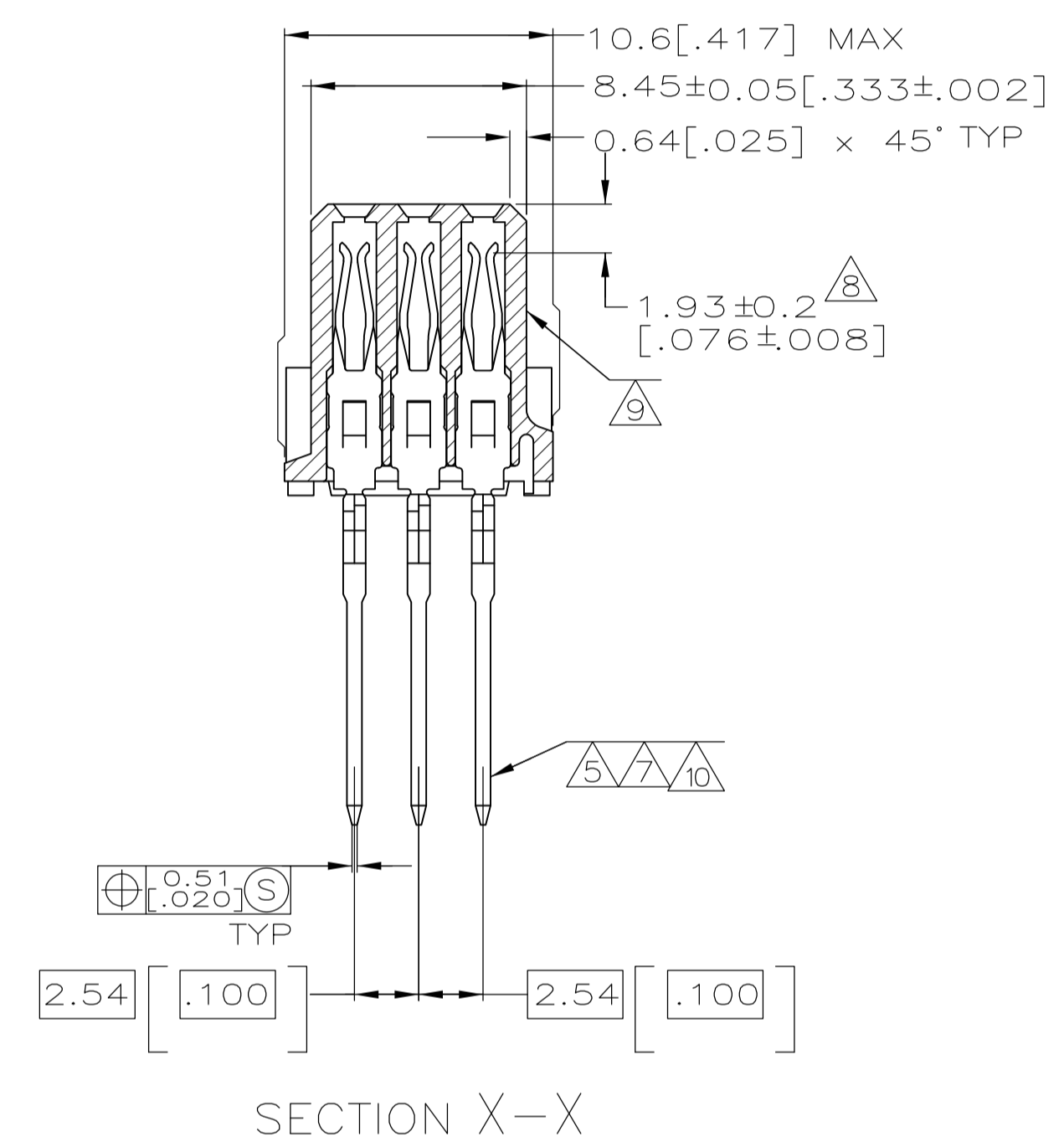
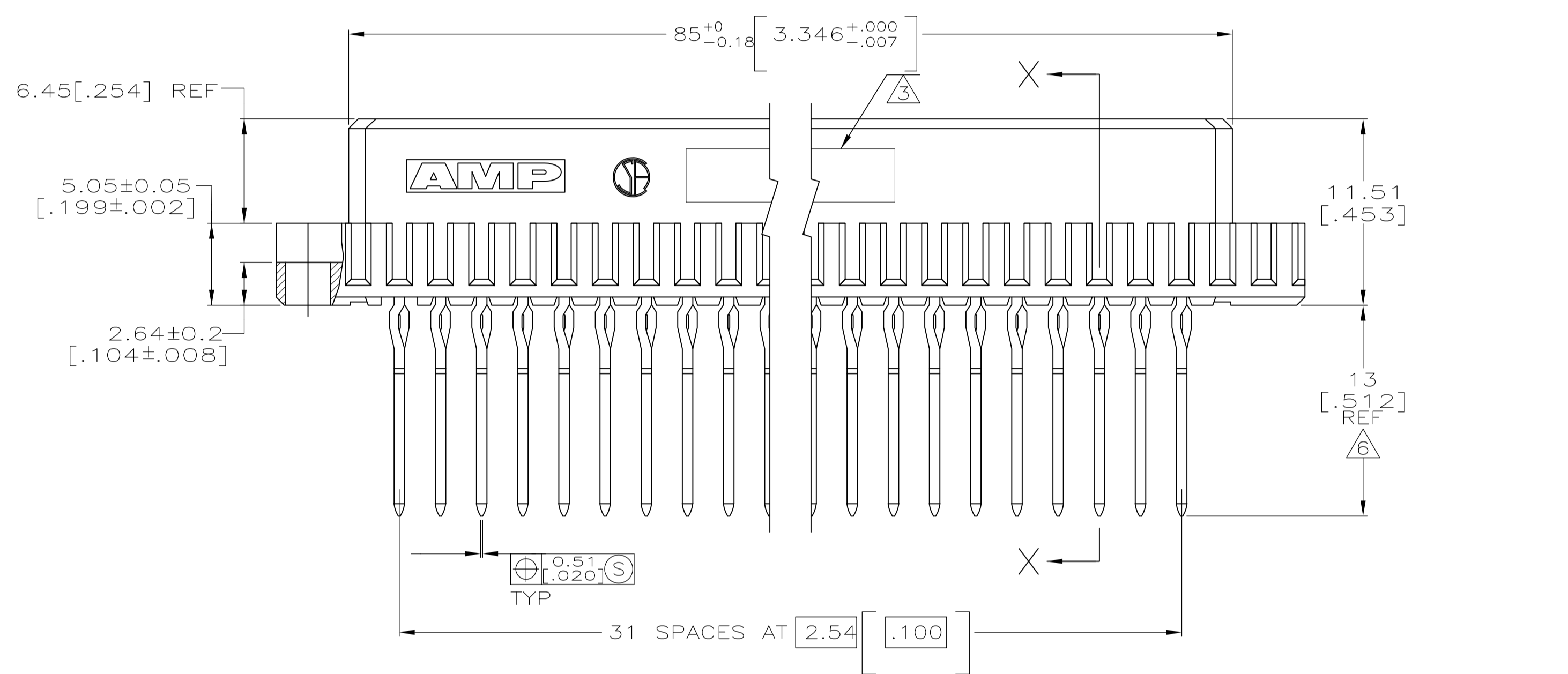
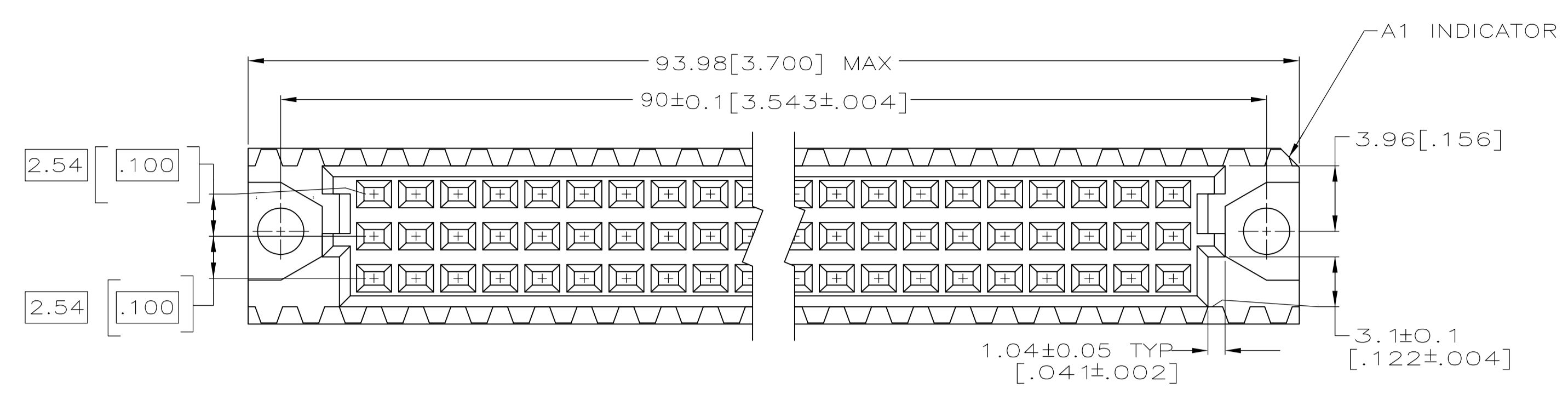


LOC		DIST		REVISIONS			
AD	25	REV	DATE	DESCRIPTION	DATE	BY	APPV
G1		REVISED PER	ECO-11-005301		07MAR11	RK	HMR



- 1 HOUSING MATERIAL: GLASS-FILLED POLYESTER. COLOR: GRAY.
- 2 CONTACT MATERIAL: PHOSPHOR BRONZE.
- 3 PART NUMBER AND DATE CODE HOT STAMPED IN THIS APPROXIMATE AREA.
- 4 ACTION PIN POSTS REQUIRE 1.57 [.062] MINIMUM THICK PC BOARD. RECOMMENDED PC BOARD DRILLED HOLES ARE 1.15 ± 0.025 [.0453 ± 0.010] DIAMETER WITH 0.02 - 0.08 [.001 - .003] COPPER AND 0.008 [.0003] MINIMUM TIN-LEAD PLATING. FINISHED HOLE AFTER PLATING IS 1.02 ± 0.08 [.040 ± .002] DIAMETER.
- 5 CONTACT FINISH: DIN 41612 CLASS 2 IN CONTACT AREA. TIN-LEAD PLATE ON POSTS.
- 6 TAIL LENGTH AFTER SEATING IN PC BOARD.
- 7 CONTACT FINISH: DIN 41612 CLASS 2 IN CONTACT AREA AND LAST 5.08 [.200] OF POST.
- 8 CONTACT POINT AFTER SEATED IN PC BOARD.
- 9 HOT STAMPING ON THIS SIDE.
- 10 CONTACT FINISH: 0.00076 [.000030] GOLD IN CONTACT AREA AND LAST 5.08 [.200] OF POST. 0.00127 [.000050] NICKEL UNDERPLATE ALL OVER.

7	1-148057-5
10	1-148057-4
5	148057-5
FINISH	PART NO

THIS DRAWING IS A CONTROLLED DOCUMENT.

DIMENSIONS: mm [INCHES]	TOLERANCES UNLESS OTHERWISE SPECIFIED:	DIN L. BRINER 7/26/94	CHK R. PATTERSON 8/9/94	REV R. PATTERSON	NAME RECEPTACLE ASSEMBLY, EUROCARD, TYPE C
0 PLC ± -	1 PLC ± -	2 PLC ± 0.13 [.005]	3 PLC ± -	4 PLC ± -	APPLICATION SPEC
MATERIAL HOUSING: CONTACTS:		FINISH CONTACTS:	SIZE A1	CAGE CODE 00779	DRAWING NO 148057
CUSTOMER DRAWING		SCALE 4:1	SHEET 1 OF 1	REV G1	RESTRICTED TO

STE TE Connectivity