

# SBLL-800 LUG-TO-LUG POWER TERMINAL



## CERTIFICATIONS



## FEATURES

Tinned copper block allows for copper or aluminum conductor connections

Accessible studs allow for easy connection of sections of nVent ERIFLEX Flexibar or other conductors

Design allows for visual inspection of conductor and confirmation of connection

Adjustable transparent cover

Modular snap-together blocks for building multi-pole power blocks

Easily clips onto DIN rail or mounts to panel with screws

SBLEC Power Terminals Fixing Accessory required for direct panel mount

RoHS compliant

Halogen free

## SPECIFICATIONS

Catalog Number	SBLL-800
Item Name	561136
Material	Copper Thermoplastic
Finish	Tinned
Max Current Rating, IEC	1250 A

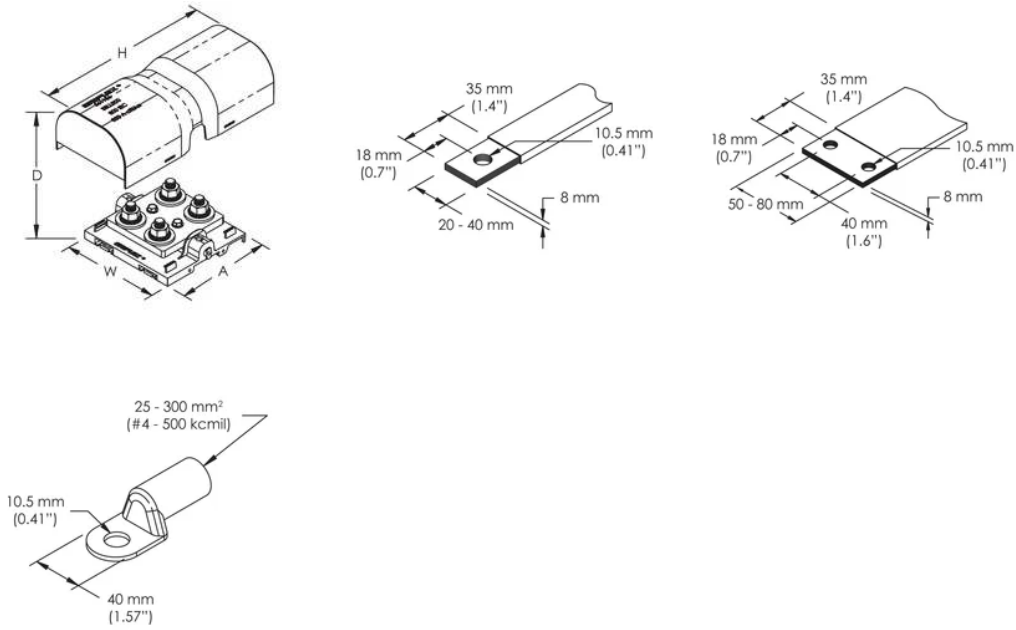
Catalog Number	SBLL-800
Max Current Rating, UL/CSA	800 A
Short Term Withstand Current (I <sub>cw</sub> ) 1s	57.6 kA
Peak Short Circuit Current (I <sub>pk</sub> )	75 kA
Short Circuit Current Rating (SCCR)	100 kA
Max Working Voltage, IEC (U <sub>i</sub> )	1000 1500
Max Working Voltage, UL (V <sub>in</sub> )	1000
Number of Stud Connections	4
Stud Connection Conductor Width	(2) 20 – 40 mm (1) 50 – 80 mm
Stud Connection Wire Size	(2) #4 - 500 kcmil
Stud Connection Compact Stranded Wire Size	(2) 25 – 300 mm <sup>2</sup>
Depth(D)	2.95"
Width(W)	4.53"
Height(H)	8.1"
A	4 1/4"
Unit Weight	1.54 lb
Flammability Rating	UL® 94V-1
Certification Details	UL® 1059
Complies With	IEC® 60947-7-1

## ADDITIONAL PRODUCT DETAILS

Power terminal connections are interchangeable and can be used as line side or load side connections.

Design Guideline for Distribution Blocks, Power Blocks and Power Terminals										
Derating according to Ambient* Temperature (°F) to maintain working temperature of 185°F										
Ambient Temperature (°F)	86°	95°	104°	113°	122°	131°	140°	149°	158°	167°
Derating Coefficient (d)	1	1	1	0.94	0.88	0.82	0.75	0.67	0.58	0.47
*environment around the terminal blocks inside the enclosure										

## DIAGRAMS



## WARNING

nVent products shall be installed and used only as indicated in nVent's product instruction sheets and training materials. Instruction sheets are available at [www.nvent.com](http://www.nvent.com) and from your nVent customer service representative. Improper installation, misuse, misapplication or other failure to completely follow nVent's instructions and warnings may cause product malfunction, property damage, serious bodily injury and death and/or void your warranty.

### North America

+1.800.753.9221  
Option 1 – Customer Care  
Option 2 – Technical Support

### Europe

Netherlands:  
+31 800-0200135  
France:  
+33 800 901 793

### Europe

Germany:  
800 1890272  
Other Countries:  
+31 13 5835404

### APAC

Shanghai:  
+ 86 21 2412 1618/19  
Sydney:  
+61 2 9751 8500



Our powerful portfolio of brands:  
**nVent.com CADDY ERICO HOFFMAN RAYCHEM SCHROFF**  
**TRACER**