
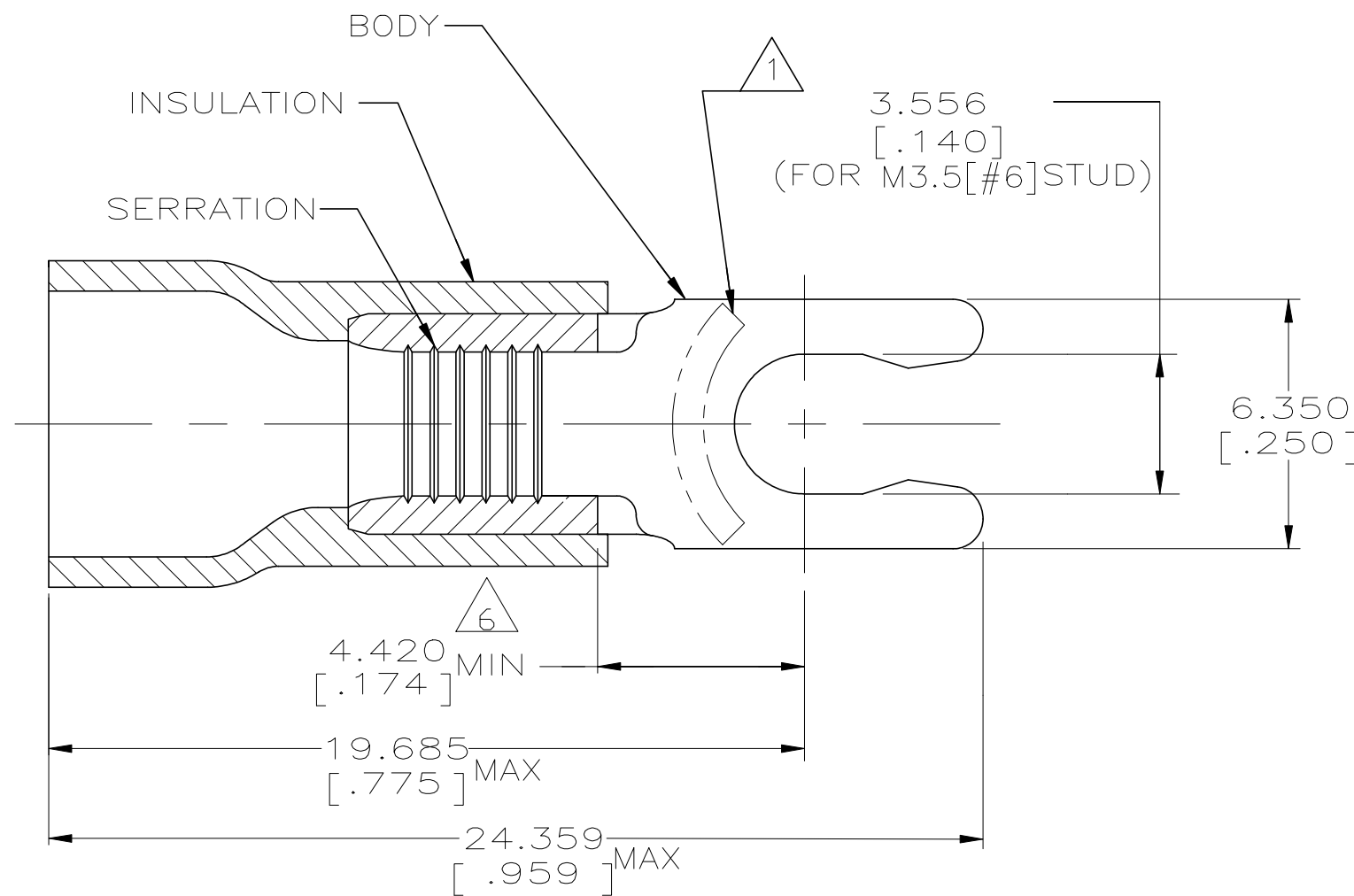



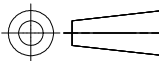
P	LTR	DESCRIPTION	DATE	DWN	APVD
T		REVISED PER ECR-23-163311	08MAR2023	BB	DSC

AMP WIRE RANGE	 Listed FILE E13288
12-10 AWG SOLID OR STRANDED	12 AWG STRANDED



- ① STAMP 6S AMP 12-10* APPROX AS SHOWN
- 2. WIRE INSULATION DIAMETER:
ø2.667[.105] TO ø5.080[.200]
- 3. BODY MATERIAL THK: 1.016±0.051[.040±.002]
- ④ MATERIAL:
BODY - BRASS PER ASTM B36
INSULATION - PVC
- ⑤ FINISH:
BODY - TIN PALTE 0.00254[.000100]
MIN EXT THK PER ASTM B545
INSUALTION COLOR - YELLOW
- ⑥ APPLIES FROM EDGE OF METAL WIRE BARREL TO
CENTER OF STUD HOLE

50	LOOSE PIECE, BOX	8-52961-2
2500	ON TAPE, REEL	52961-1
500	LOOSE PIECE	52961
QTY	PACKAGE TYPE	PART NO

AMP INCORPORATED CUSTOMER SERVICE SYSTEMS		MAX RECOMMENDED OPERATING TEMPERATURE: 105°C [221°F]	THIS DRAWING IS A CONTROLLED DOCUMENT.		DWN	26JUN95	 TE Connectivity					
			DIMENSIONS: mm [INCHES]	TOLERANCES UNLESS OTHERWISE SPECIFIED:	CHK	26JUN95						
FOR ADDITIONAL PRODUCT INFORMATION OR COPIES OF DRAWINGS AND TECHNICAL DOCUMENTS	PRODUCT INFORMATION CENTER 1-800-522-6752	VOLTAGE RATING: 600V MAX (1000V FIXTURE OR SIGN)		0 PLC ± -	APVD	26JUN95	NAME TERMINAL, SPRING SPADE, SHORT, PLASTI-GRIP WIRE SIZE: 12-10 AWG					
FOR APPLICATION TOOLING INFORMATION	TOOLING ASSISTANCE CENTER 1-800-722-1111	CIRCULAR MIL AREA: 2.62-6.64mm² [5,180-13,100] SOLID OR STRANDED		1 PLC ± -	PRODUCT SPEC	UL 486A-B						
FOR ORDER ENTRY	1-800-526-5142	THIS DRAWING IS A CONTROLLED DOCUMENT FOR AMP INCORPORATED. IT IS SUBJECT TO CHANGE AND THE CONTROLLING ENGINEERING ORGANIZATION SHOULD BE CONTACTED FOR THE LATEST REVISION.	MATERIAL	2 PLC ± 0.127[.005]	APPLICATION SPEC	114-2161						
				④	3 PLC ± -	WEIGHT	-					
				4 PLC ± -	FINISH	⑤						
				5 PLC ± -	CUSTOMER DRAWING		SCALE	6:1	SHEET	1 of 1	REV	T