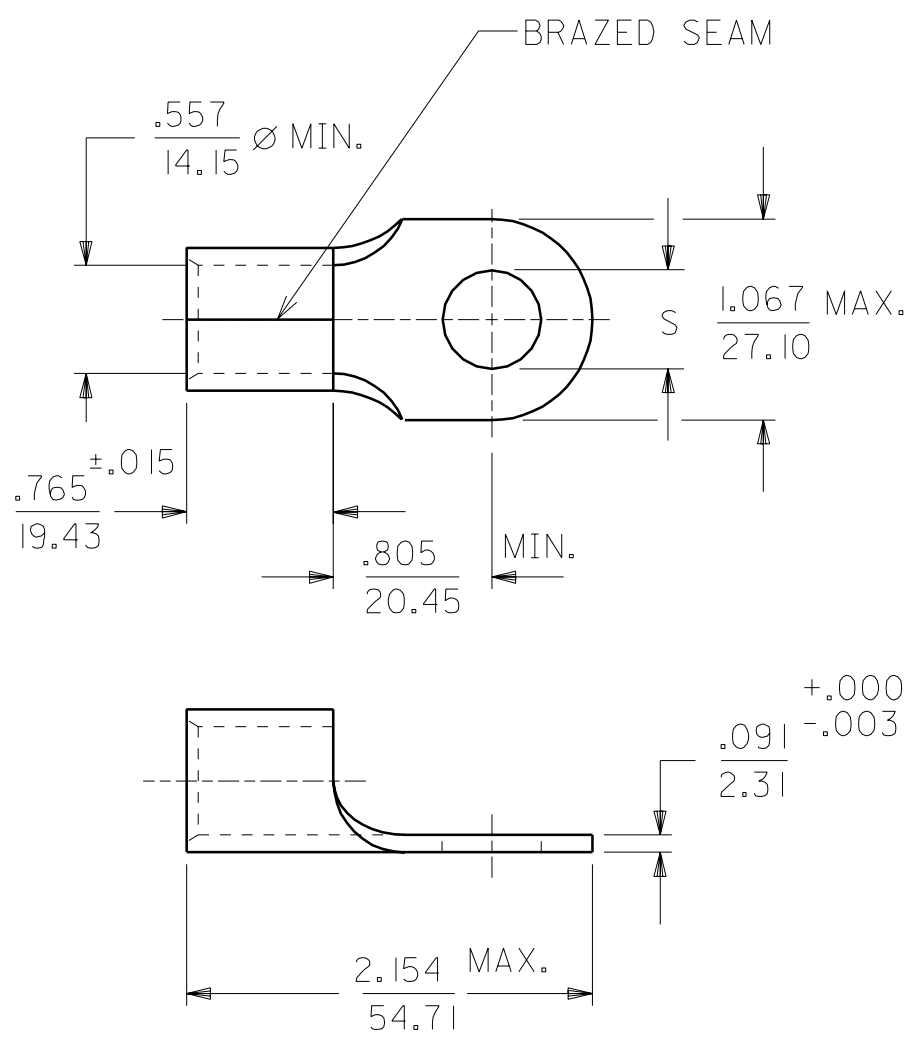


DRWG. NO. CDK390

MATERIAL: COPPER
PLATING: TIN



| PART NO. | STUD SIZE | ±.003 "S" |
|----------|-----------|-----------|
| K-390-56 | 5/16 | .328 |
| K-390-38 | 3/8 | .390 |
| K-390-76 | 7/16 | .453 |
| K-390-12 | 1/2 | .515 |
| K-390-58 | 5/8 | .656 |
| K-390-34 | 3/4 | .781 |

WIRE SIZE: 3/0 AWG
95 MM²

REVISE ONLY ON CAD SYSTEM
TITLE RING TONGUE TERMINAL
VERSAKRIMP
3/0 AWG

BRWC. BY EMF
CHK'D. BY JM
APP'D. BY FP
SCALE 1:1

molex ETC INC.
PINELLAS PARK, FLA. 34665 U.S.A.
PART NO. SEE CHART
FILE NAME CDK390

SHEET NO. DATE 12/01/93
DRWG. NO. CDK390
THIS DRAWING CONTAINS INFORMATION THAT IS PROPRIETARY TO MOLEX-ETC INC. AND SHOULD NOT BE USED WITHOUT WRITTEN PERMISSION.
DIV. SIZE A