



MICRO SWITCH

FREERPORT, ILLINOIS, U.S.A.
A DIVISION OF HONEYWELL

FED. MFG. CODE 91929

SWITCH-BASIC

CATALOG LISTING

V3-15

CK-A1500

V3-15

M

DRAWING NUMBER

1819

ISSUE

1816

REVISIONS

A CO20189

M B F
11 MAY 65

B CO21688

M B F
3 OCT 66

C CO31509

R E R
22 JAN 73

D CO32395

K S W
24 FEB 76

E CO47241

G J W
MAR 80

F CO56987

S M A
1 OCT 85

G CO74634

K D R
5 MAY 93

REPLACES

RELEASE NO.

20MAY65

PFK

CHECK

18MAY65

KSD

CHECK

24FEB76

CHECK

14MAY65

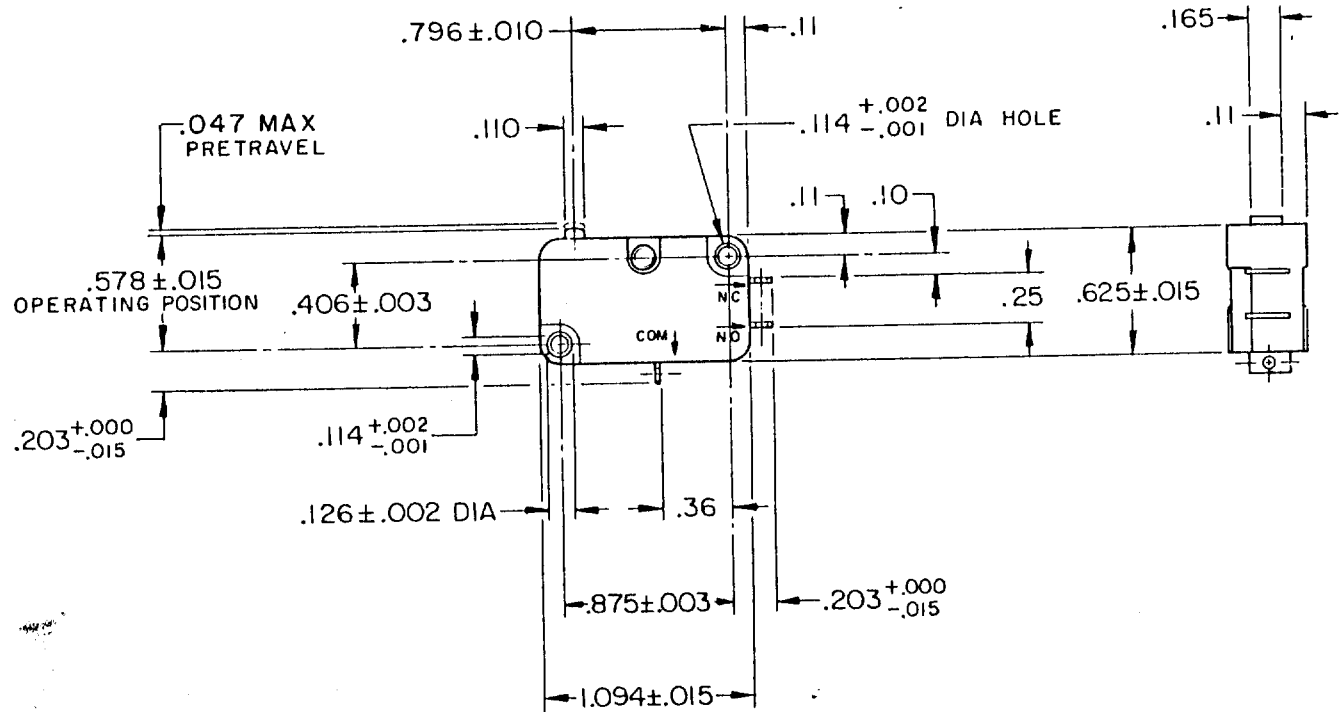
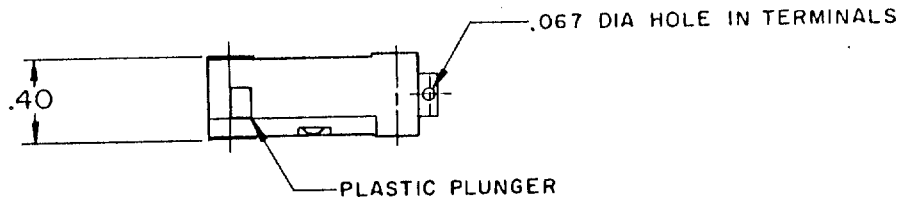
GCH

CHECK

11MAY65

DRAWN

M B F



- NOTE-
- 1 - TERMINALS ARE PLATED FOR SOLDERING
 - 2 - PLUNGER MATERIAL WILL WITHSTAND TEMPERATURE OF 300°F

THIS DRAWING COVERS A PROPRIETARY ITEM AND IS THE PROPERTY OF MICRO SWITCH, A DIVISION OF HONEYWELL. THIS DRAWING IS NOT TO BE COPIED OR USED WITHOUT THE APPROVAL OF MICRO SWITCH.

CHARACTERISTICS

| | |
|---------------------|-------------|
| OPERATING FORCE | 6 - 14 OZ |
| RELEASE FORCE | 4 OZ MIN |
| RELEASE TRAVEL | .007 MIN |
| DIFFERENTIAL TRAVEL | .006 - .016 |
| OVERTRAVEL | .040 MIN |
| FREE POSITION | .625 MAX |

ELECTRICAL DATA

| | |
|---------------------|----------------------------|
| CONTACT ARRANGEMENT | S P D T |
| | L83 |
| | 15.1A 1/2HP 125 OR 250 VAC |
| | 1/2A 125 VDC, 1/4A 250 VDC |
| | 5A 125 VAC "L" |
| | |

| | |
|--------------------------|--------------|
| SCALE | FULL |
| DO NOT SCALE PRINT | |
| UNLESS OTHERWISE NOTED | |
| DIMENSIONS ARE IN INCHES | |
| TOLERANCES ARE: | |
| ONE PLACE | (.0) ±.030 |
| TWO PLACE | (.00) ±.015 |
| THREE PLACE | (.000) ±.005 |
| ANGLES | ± |
| WEIGHT | .015 LB |

0-50378