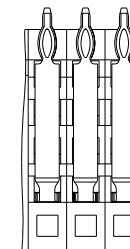
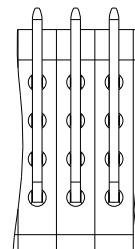
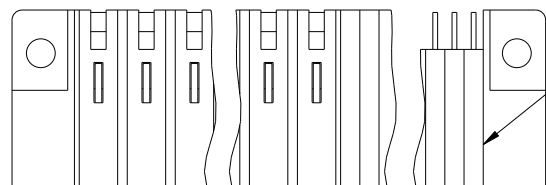
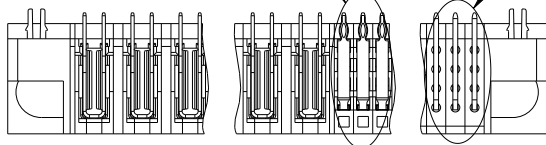


PRODUCT NUMBER

51722-ABBCCC00EF_--

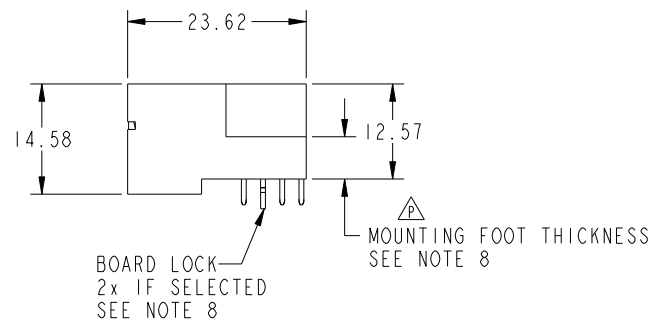
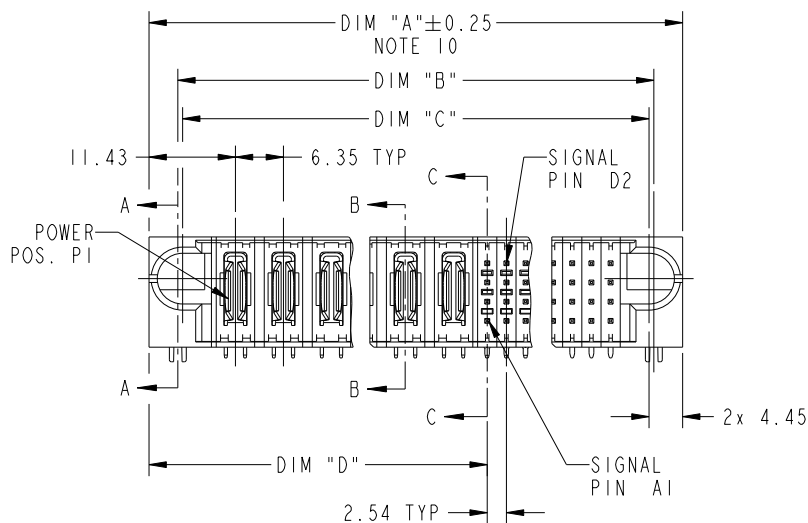
SEE NOTE 1

SEE DETAIL B SEE DETAIL A



DETAIL A
SCALE 2:1
FOR SOLDER TO BOARD ONLY

DETAIL B
SCALE 2:1
FOR PRESS FIT ONLY



spec ref	*	dr	w wadmin	2006/05/26	projection	MM	size	A4	scale	1:1		
tolerance std	TOLERANCES UNLESS OTHERWISE SPECIFIED	eng	Ruan MT	2015/09/30			← →	ecn no	ELX-DG-21593-1			
ASME Y14.5		chr	Fancy Zhang	2015/09/30		product family		PwrBlade	rel level	Released		
surface		linear	appr	Pei-Ming Zheng	2015/09/30	title		R/A HEADER WITH GUIDE PIN		dwg no	51722	rev
ASME Y14.5	angular	www.fci.com		cat. no.	51722	Product - Customer Drw			sheet 1 of 3			

ProjE File - REV C - 2009-06-09

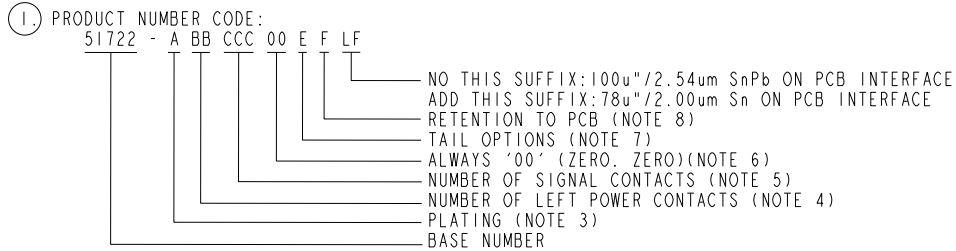


Copyright FCI.

PRODUCT NUMBER
51722-ABBCCC00EF_--
SEE NOTE 1

DIM	LENGTH FORMULAS (SEE NOTE 10)
DIM "A"	6.35 x BB +2.54 x (CCC/4) +16.51(NOTE 10)
DIM "B"	6.35 x BB +2.54 x (CCC/4)+ 8.89
DIM "C"	6.35 x BB +2.54 x (CCC/4) + 7.62
DIM "D"	6.35 x BB + 9.53
DIM "F"	6.35 x BB +2.54 x (CCC/4) + 17.27
DIM "G"	6.35 x BB + 5.72

CONNECTOR NOTES



②. HOUSING MATERIAL: GLASS FILLED V-O HIGH TEMP THERMO PLASTIC.
 SIGNAL CONTACT MATERIAL: COPPER ALLOY
 POWER CONTACT MATERIAL: COPPER ALLOY

③. PLATING OPTION:
 I = SEE PRINT 10064183 FOR PLATING SPEC OF 51722-1BBCCC00EF; 51722-1BBCCC00EFLF
 B = SEE IN PRINT 10125789 FOR PLATING SPEC OF 51722-BBBCCC00EF; 51722-BBBCCC00EFLF

④. LEFT END POWER CONTACTS, 01 TO 20 AVAILABLE.
 MAXIMUM OF 20 POWER CONTACTS PER CONNECTOR.

⑤. SIGNAL CONTACTS, 004 TO 148 AVAILABLE.

⑥. THIS PART IS NOT AVAILABLE WITH RIGHT SIDE POWER CONTACTS.

⚠ ⑦. TAIL OPTIONS:
 A = 3.43 SOLDER TO BOARD
 B = 4.19 SOLDER TO BOARD
 C = 3.43 PRESS FIT
 D = 2.34 SOLDER TO BOARD

- ⑧. RETENTION TO PCB OPTIONS:
 A = BOARD LOCK (REQUIRES 2.49 +0.05, -0.03 THRU HOLE IN PCB).
 MOUNTING FOOT THICKNESS 5.59
 B = 3.81 THRU HOLE (REQUIRES 4.01±0.07 THRU HOLE IN PCB).
 MOUNTING FOOT THICKNESS 4.06
 MOUNTING HOLES, WHERE APPLICABLE, ARE UNPLATED.
- ⑨. MANUFACTURE'S NAME, P/N, AND DATE CODE TO APPEAR ON THIS SURFACE.
- ⑩. THE MAXIMUM OVERALL LENGTH (DIM A) OF A PART IS 203.2
11. PRODUCT SPECIFICATION GS-12-149
 APPLICATION SPECIFICATION BUS-20-067
12. REFERENCE 51697 FOR SELECT LOAD/FMLB WORKSHEET

PCB NOTES:

13. ALL DIMENSIONS ARE BASIC UNLESS OTHERWISE SPECIFIED.
 14. ALL THROUGH HOLES ARE LOCATED WITH A TRUE POSITION OF 0.10
 15. ALL HOLE DIAMETERS ARE FINISHED HOLE SIZE.
 16. Ø1.151±0.025 DRILLED HOLES PLATED WITH 0.008 MIN SnPb OR Sn OVER 0.03 TO 0.08 Cu PLATING TO ACHIEVE A 1.02±0.07 HOLE.
 17. A Δ SYMBOL WILL BE NEXT TO ANY DIMENSION, VIEW, OR NOTE WHICH HAS BEEN MODIFIED WITH THE CURRENT DRAWING REVISION.
 18. CONNECTOR KEEP OUT ZONE

dr	w wadmin	2006/05/26	projection 	MM ←→	size	A4	scale	1:1
eng	Ruan MT	2015/09/30			ecn no	ELX-DG-21593-1		
chr	Fancy Zhang	2015/09/30			rel level	Released		
appr	Pei-Ming Zheng	2015/09/30	product family	PwrBlade	rev	51722		
		title	R/A HEADER WITH GUIDE PIN		dwg no	51722		
www.fci.com		cat. no.	51722	Product - Customer Drw		sheet 2 of 3		
		POWER / SIGNAL						P

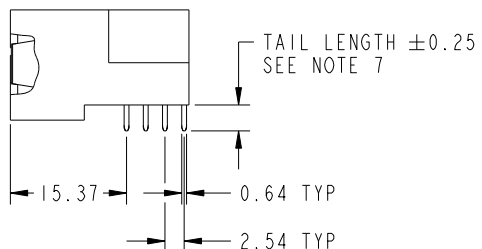
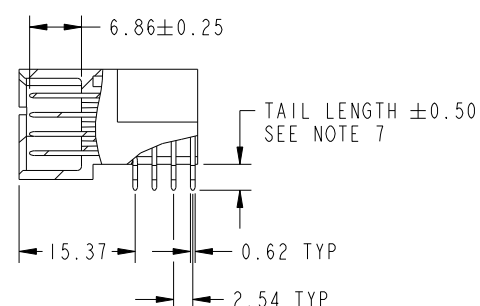
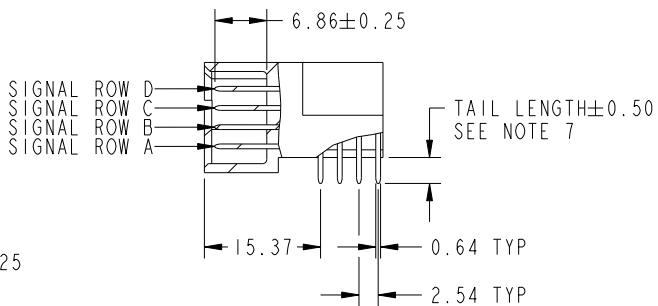


Copyright FCI.

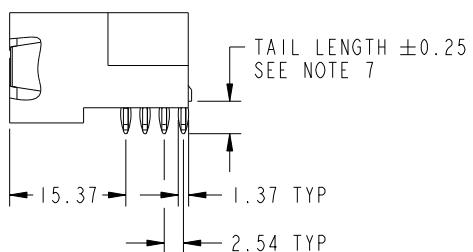
PRODUCT NUMBER

51722-ABBCCC00EF_..

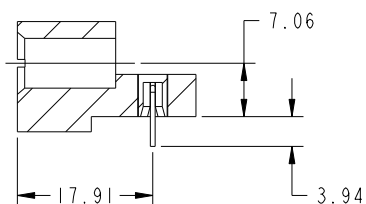
SEE NOTE 1



△ BROKEN-OUT SECTION B-B FOR SOLD TO BOARD ONLY



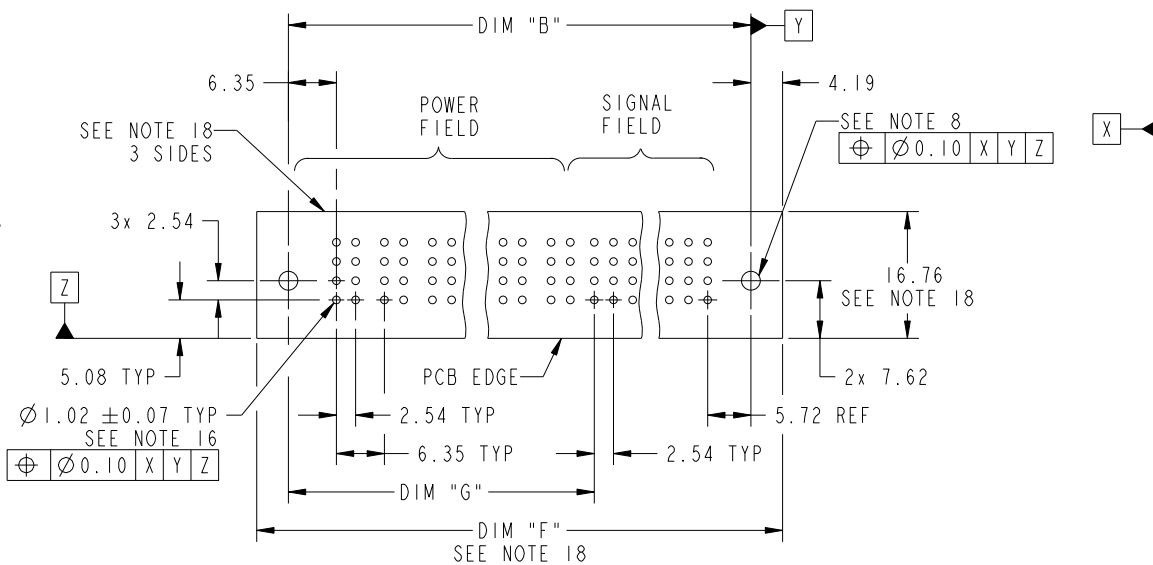
△ BROKEN-OUT SECTION B-B FOR PRESS FIT ONLY



SECTION A-A

△ BROKEN-OUT SECTION C-C FOR SOLDER TO BOARD ONLY

△ BROKEN-OUT SECTION C-C FOR PRESS FIT ONLY



RECOMMENDED PCB LAYOUT

A

B

C

D

A

B

C

D

dr	w wadmin	2006/05/26	projection 	MM ←→	size	A4	scale	1:1	
eng	Ruan MT	2015/09/30			ecn no	ELX-DG-21593-1			
chr	Fancy Zhang	2015/09/30			rel level	Released			
appr	Pei-Ming Zheng	2015/09/30	product family	PwrBlade					
		title	R/A HEADER WITH GUIDE PIN		dwg no	51722		rev	P
www.fci.com		cat. no.	51722		Product - Customer Drw		sheet 3 of 3		



Copyright FCI.