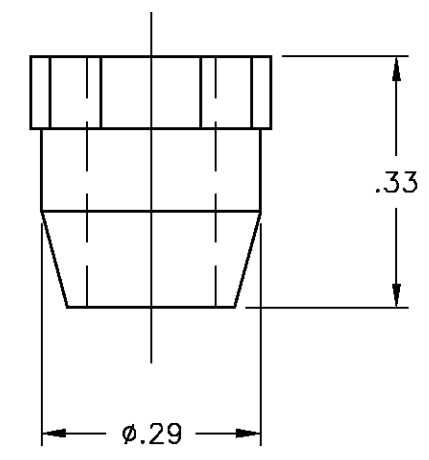
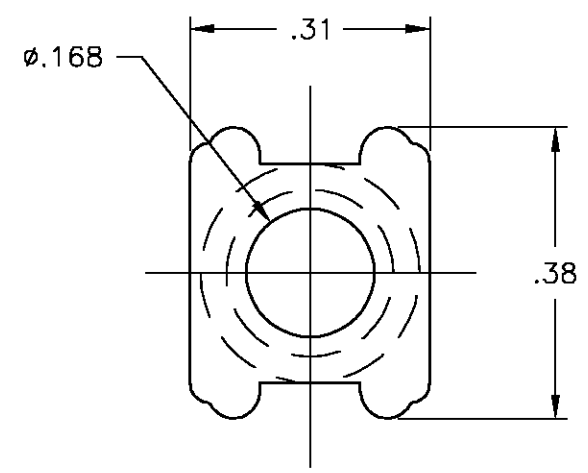


THIS DRAWING IS UNPUBLISHED. RELEASED FOR PUBLICATION
 © COPYRIGHT - BY TYCO ELECTRONICS CORPORATION. ALL RIGHTS RESERVED.

LOC	DIST	REVISIONS			
P	LTR	DESCRIPTION	DATE	DWN	APVD
	0	REVISED PER 0G3B-0139-05	2/10/05	SS	SRY

- NOTES:
- 1 MATERIAL: NYLON, BLACK.
 2. FOR USE WITH SSB6 & SSB7 BARRIER STRIPS.



L91	5-1437402-1
CATALOG NUMBER	PART NUMBER

THIS DRAWING IS A CONTROLLED DOCUMENT.		DWN S SCHLEGEL 2/10/05	BUCHANAN Tyco Electronics Corporation Harrisburg, Pa 17105-3608				
DIMENSIONS: INCHES		CHK S YODER 2/10/05					
		APVD S YODER 2/10/05	NAME VERTICAL BUSHING				
TOLERANCES UNLESS OTHERWISE SPECIFIED: 0 PLC ± - 1 PLC ± - 2 PLC ± .015 3 PLC ± .005 4 PLC ± - ANGLES ± 1°		PRODUCT SPEC -	APPLICATION SPEC -				
MATERIAL - 1		FINISH -	WEIGHT -	SIZE A3	CAGE CODE 00779	DRAWING NO C-5-1437402-1	RESTRICTED TO -
CUSTOMER DRAWING			SCALE NTS	SHEET 1	OF 1	REV 0	