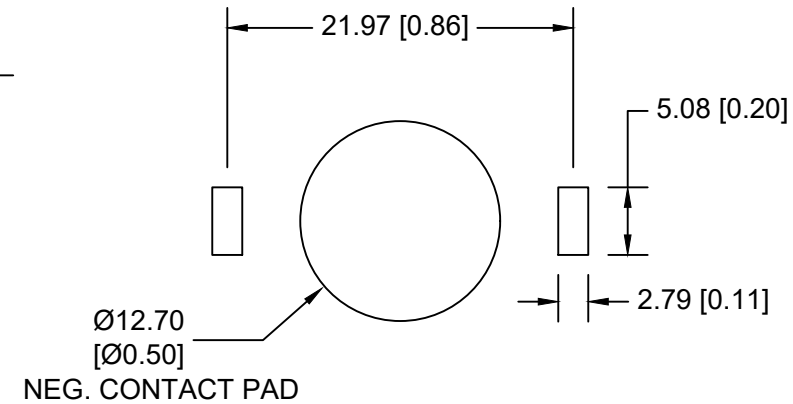
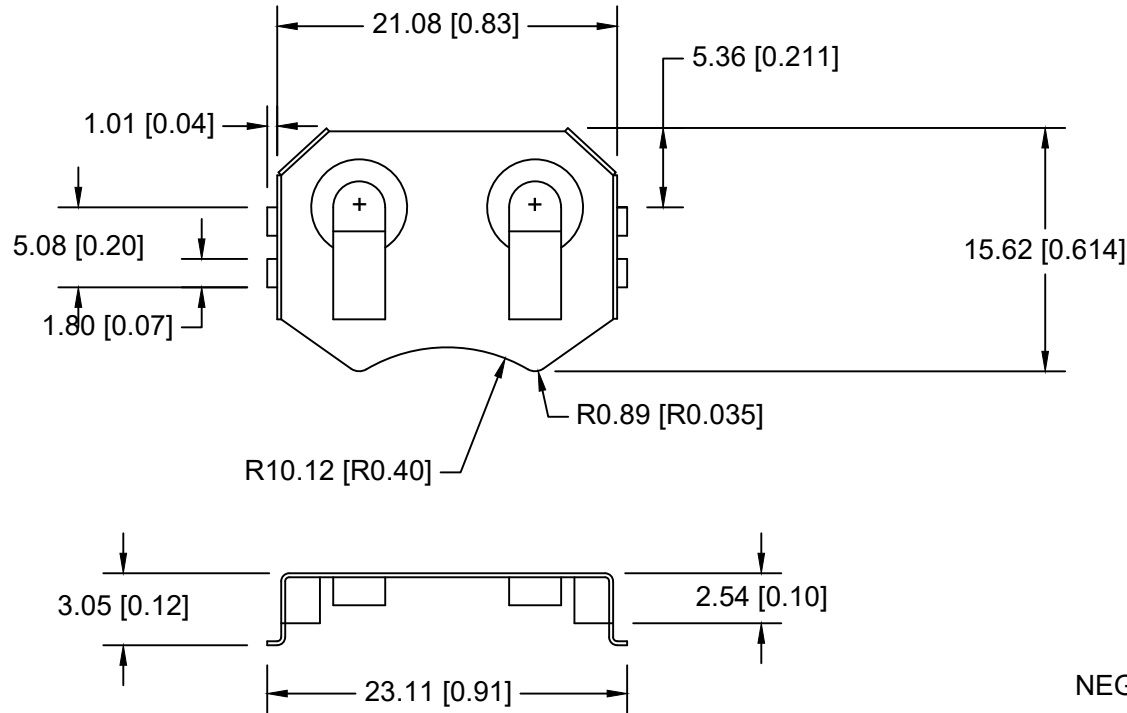



Date	SYM	REVISION RECORD	AUTH	DR.	CK.
12/29/17	A	Dim. 15.62 was 15.45 Dim. 23.11 was 22.86 Dim. 12.7 was 17.78 Added Dim. 5.36	T.B.	B.S.	
11/07/19	B	Added weight of the part	T.B.	B.S.	



PCB LAYOUT

SPECIFICATIONS:

- * 0.25mm Phosphor Bronze 1/2H, Nickel plated
- * Temperature Range: -40°C to +270°C
- * Vibration test: 10-50-10 hz swept in 60 seconds
x,y,z direction: 1 hour each direction
- * Result: no dislodgement of the cell or damage
no discontinuity over 10 micro-seconds
- * Shock test: half sine wave acceleration 150g.
6 m/s 3 shock pulses each direction per axis,
total of 18 pulses
- * Result: no evidence of physical damage
- * Approximate weight: 0.70g
- * ROHS COMPLIANT

Tolerance (Except as noted)	 Memory Protection Devices, Inc 200 Broad Hollow Road, Farmingdale, New York 11735	Scale	Drawn By B.S.
		Approved By T.B.	
decimal ±.1 (.004)	Title CR2025 BATTERY RETAINER, SMD		
Fractional ± .2 (.008)	Date 11/07/19	Drawing Number BK-6219-TR	
Angular ± 1°			