

4

3

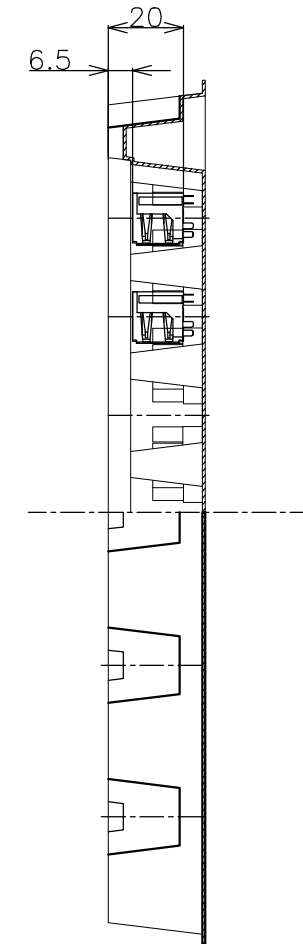
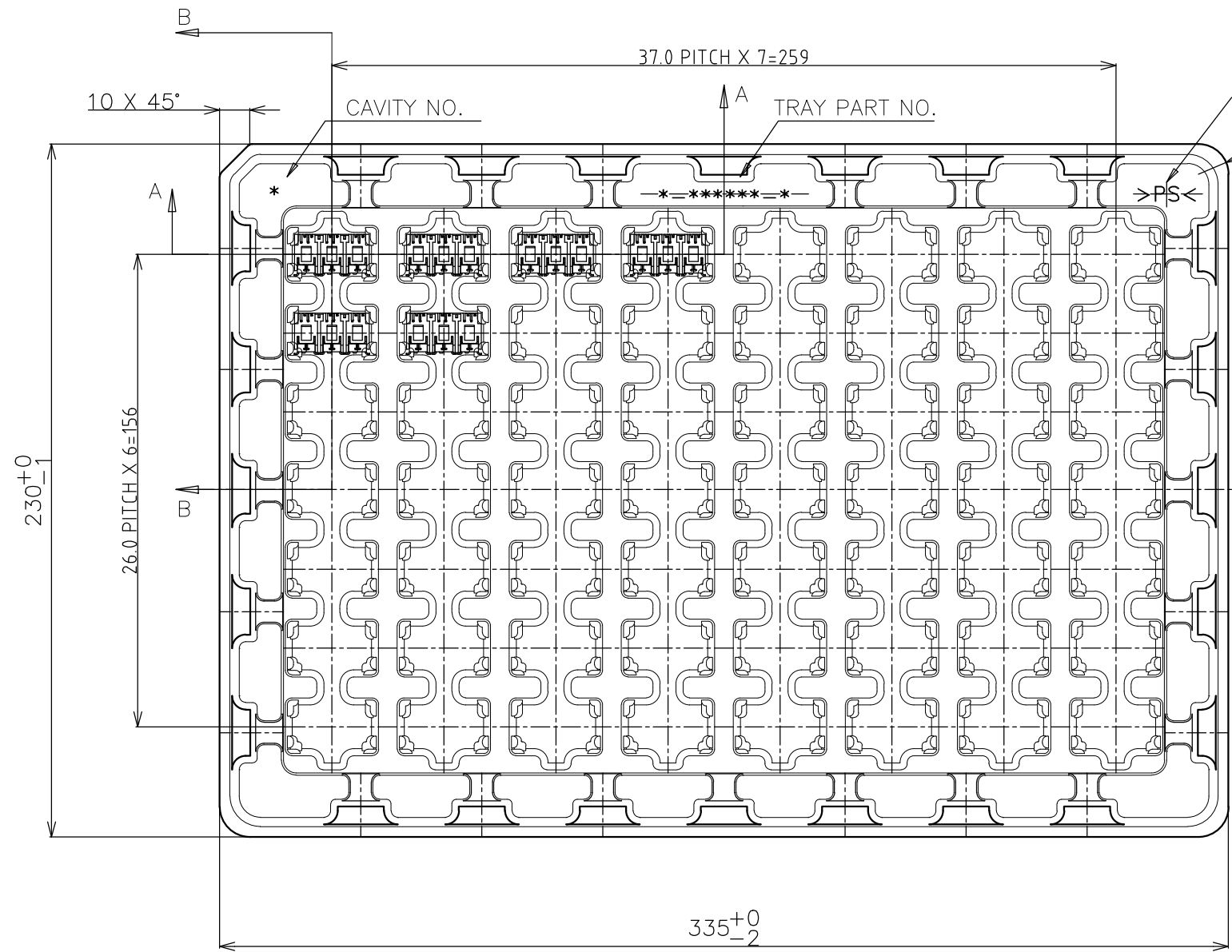
2

1

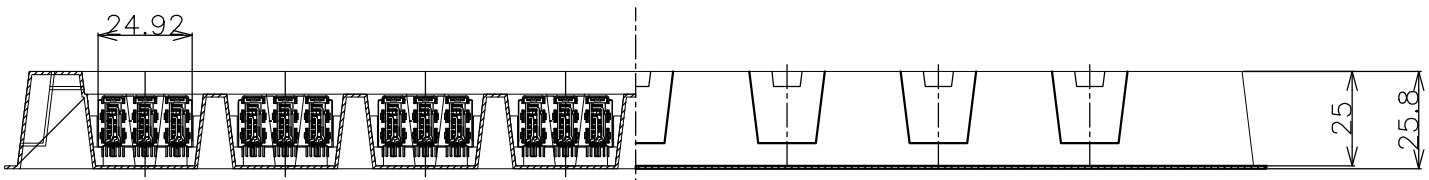
THIS DRAWING IS UNPUBLISHED. RELEASED FOR PUBLICATION

© COPYRIGHT 2004 BY TYCO ELECTRONICS CORPORATION. ALL RIGHTS RESERVED.

LOC	DIST	REVISIONS					
		P	LTR	DESCRIPTION	DATE	DWN	APVD
J	/	A1		REVISED ECR-15-016523	16NOV15	T.Z	H.W



SECTION B-B



SECTION A-A

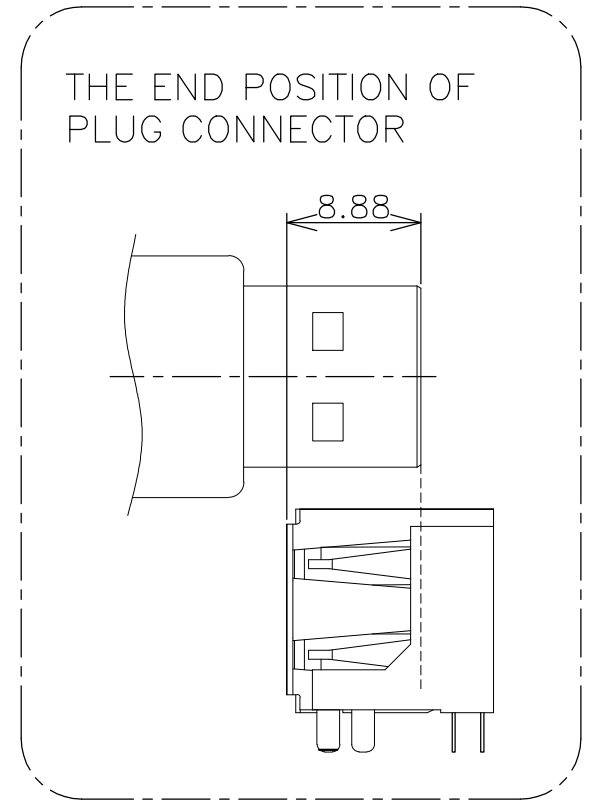
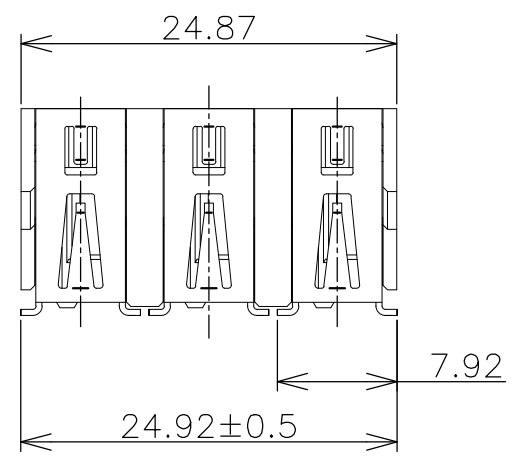
(A)	OBSOLETE	(A)	1674453-3
		FINISH	PART NO.

THIS DRAWING IS A CONTROLLED DOCUMENT.		DWN LEO ZHOU 13DEC04	Tyco Electronics AMP K.K. Kawasaki, Japan			
DIMENSIONS: MM		CHK STEVEN YAO 13DEC04				
TOLERANCES UNLESS OTHERWISE SPECIFIED:		APVD I. ENOMOTO 13DEC04	NAME			
0 PLC ± 0.3 1 PLC ± 0.3 2 PLC ± 0.3 3 PLC ± 0.3 4 PLC ± 0.3 ANGLES ± 3°		PRODUCT SPEC	HARD TRAY ASSY USB CONNECTOR REC 3P			
MATERIAL		APPLICATION SPEC	SIZE	CAGE CODE	DRAWING NO	RESTRICTED TO
FINISH		WEIGHT	A3	00779	C-1674453	
(1)		CUSTOMER DRAWING		SCALE 2:1	SHEET 1 OF 3	REV A1

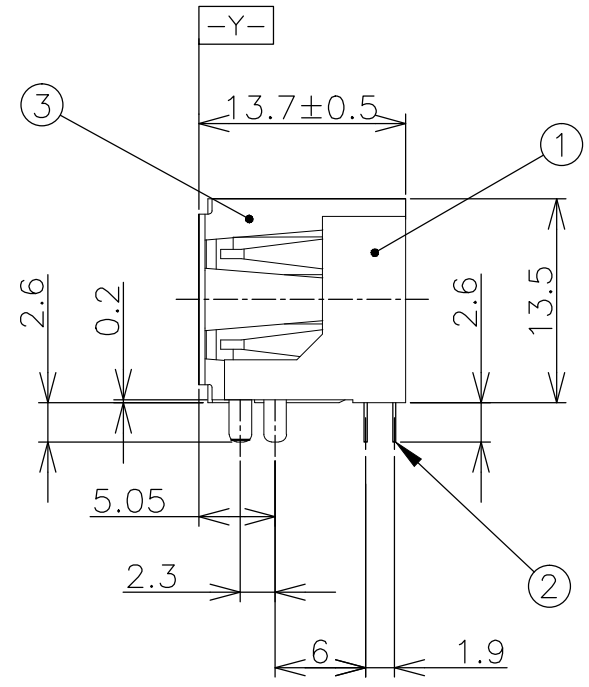
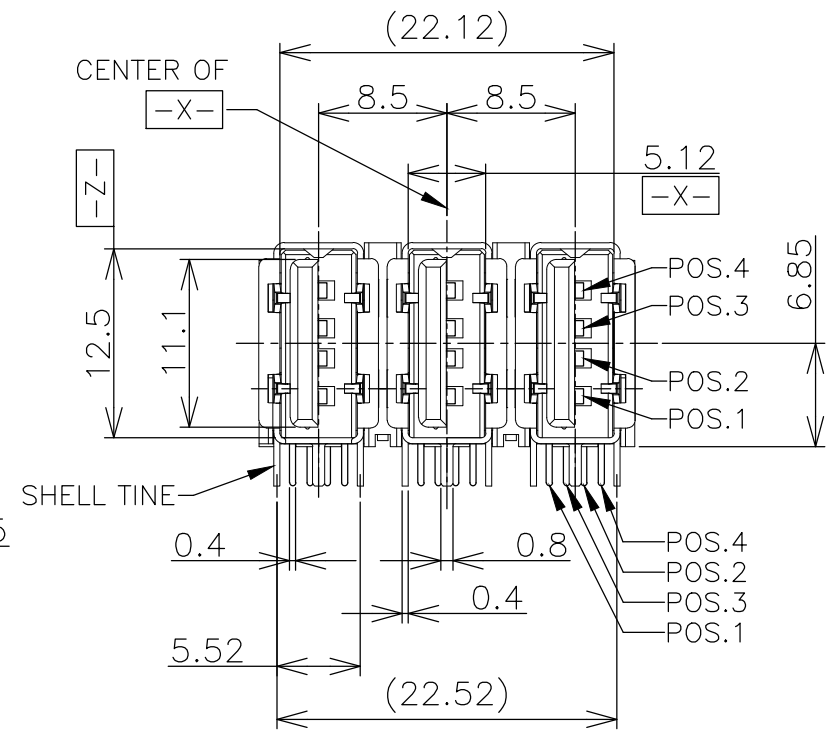
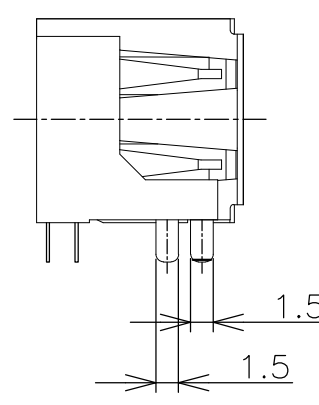
THIS DRAWING IS UNPUBLISHED. RELEASED FOR PUBLICATION
 © COPYRIGHT 2004 BY TYCO ELECTRONICS CORPORATION. ALL RIGHTS RESERVED.

LOC	DIST	REVISIONS			
P	LTR	DESCRIPTION	DATE	DWN	APVD
		SEE SHEET 1			

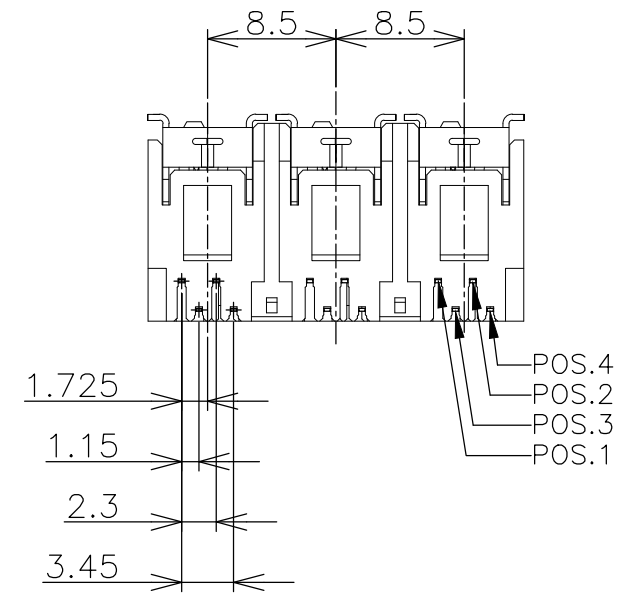
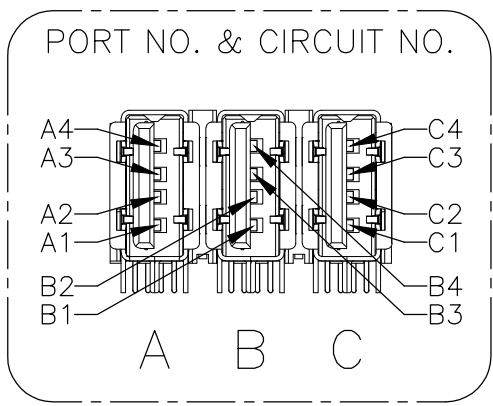
FRONT SHELL	③
CONTACT	②
HOUSING	①
NAME	ITEM No.



THE END POSITION OF PLUG CONNECTOR



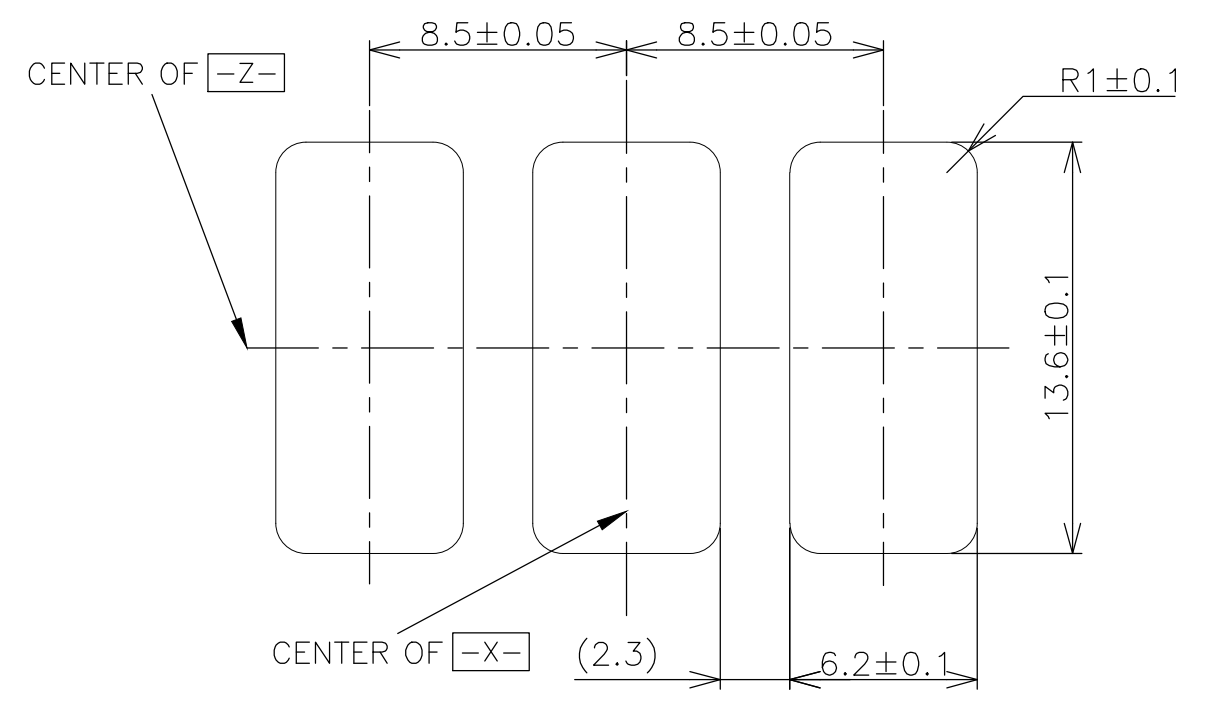
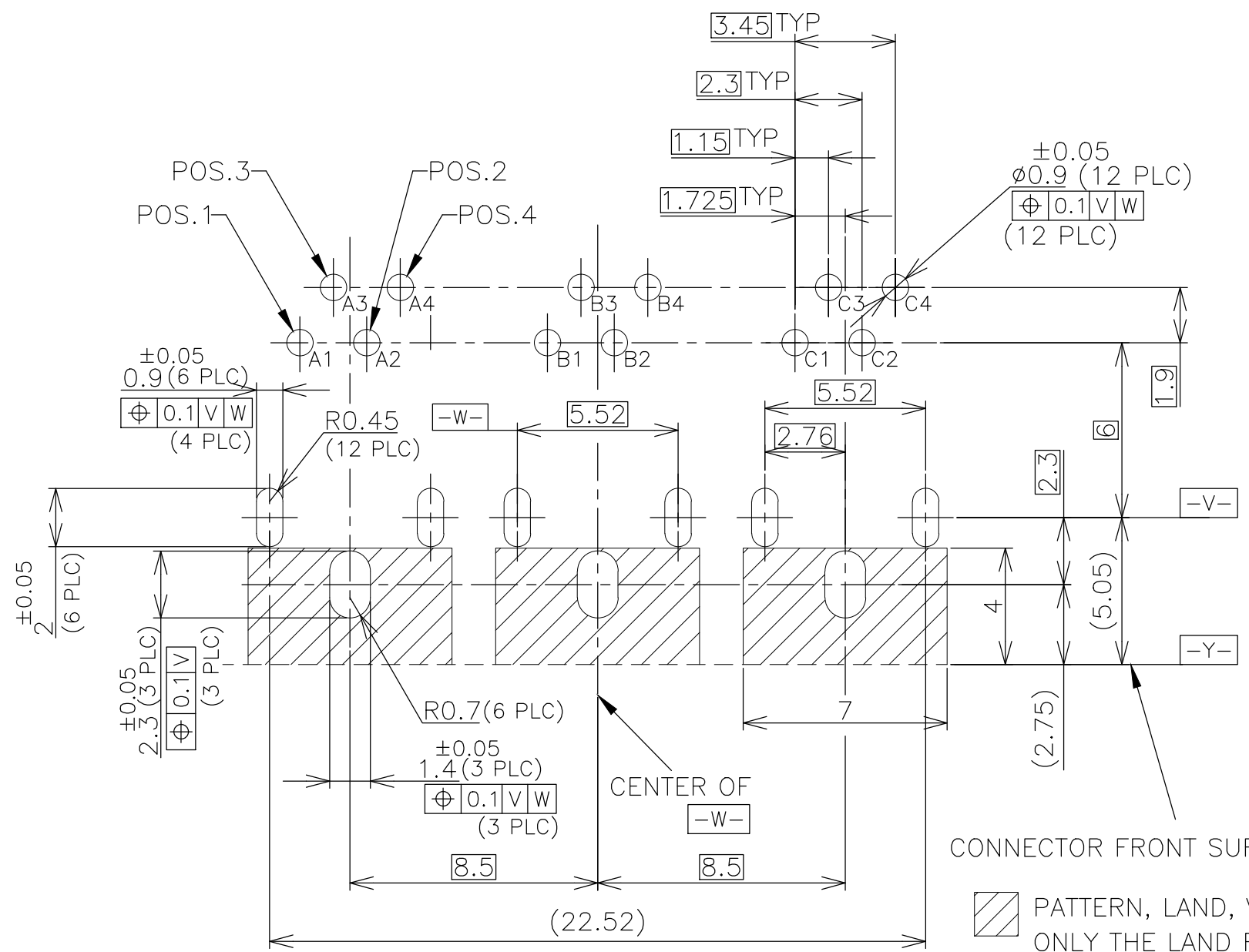
- ① MATERIAL
 HOUSING: THERMO-PLASTICS UL94V-0 NATURAL
 CONTACT: COPPER ALLOY
 FRONT SHELL: COPPER ALLOY
- ② FINISH
 CONTACT: NICKEL UNDER PLATE ALL OVER.
 CONTACT AREA: GOLD PLATE
 TINE AREA: TIN PLATE
 FRONT SHELL: TIN PLATE



THIS DRAWING IS A CONTROLLED DOCUMENT.		DWN	Tyco Electronics AMP K.K. Kawasaki, Japan	
DIMENSIONS: MM		CHK	NAME	
TOLERANCES UNLESS OTHERWISE SPECIFIED: 0 PLC ± 0.3 1 PLC ± 0.3 2 PLC ± 0.3 3 PLC ± 0.3 4 PLC ± 0.3 ANGLES ± 3°		APVD	HARD TRAY ASSY USB CONNECTOR REC 3P	
MATERIAL		PRODUCT SPEC	SIZE	RESTRICTED TO
FINISH		APPLICATION SPEC	CAGE CODE	
		WEIGHT	DRAWING NO	
		A3 00779 C-1674453		
CUSTOMER DRAWING		SCALE	SHEET	REV
		2:1	2 OF 3	A1

THIS DRAWING IS UNPUBLISHED. RELEASED FOR PUBLICATION
 © COPYRIGHT 2004 BY TYCO ELECTRONICS CORPORATION. ALL RIGHTS RESERVED.

LOC	DIST	REVISIONS			
P	LTR	DESCRIPTION	DATE	DWN	APVD
J	/	SEE SHEET 1	-	-	-



* THIS DIMENSIONS ARE NOT CONSIDERATION PANEL TOLERANCE AND PANEL ASSEMBLY TOLERANCE.

RECOMMENDED PANEL DIMENSION (SCALE 4:1)

CONNECTOR FRONT SURFACE

PATTERN, LAND, VIA HOLE, MOUNT, PROHIBITION AREA.
 ONLY THE LAND FOR SOLDERING OF FRONT SHELL IS OK.

RECOMMENDED LAYOUT OF P.C.B
 (CONNECTOR MOUNTING SIDE)
 RECOMMENDED THICKNESS: 1.0~1.6mm

THIS DRAWING IS A CONTROLLED DOCUMENT.		DWN		tyco Tyco Electronics AMP K.K.	
CHK		CHK		Electronics Kawasaki, Japan	
APVD		APVD		NAME	
PRODUCT SPEC		PRODUCT SPEC		HARD TRAY ASSY USB CONNECTOR REC 3P	
APPLICATION SPEC		APPLICATION SPEC		SIZE	RESTRICTED TO
MATERIAL		MATERIAL		A3	
FINISH		FINISH		00779	
				C=1674453	
		CUSTOMER DRAWING		SCALE 5:1	REV A1
				SHEET 3 OF 3	