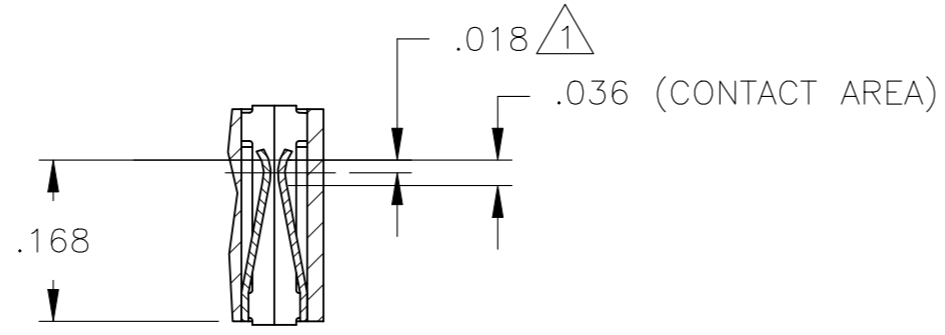
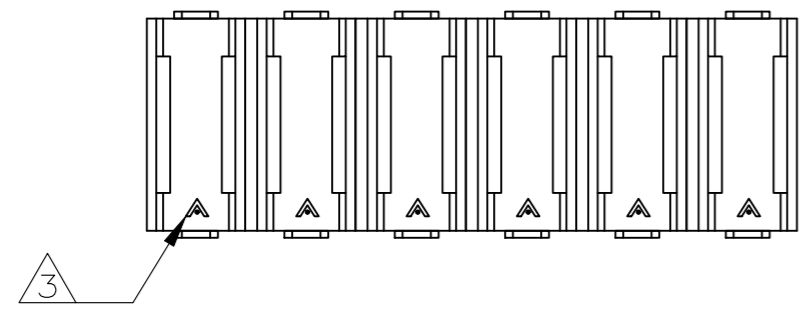
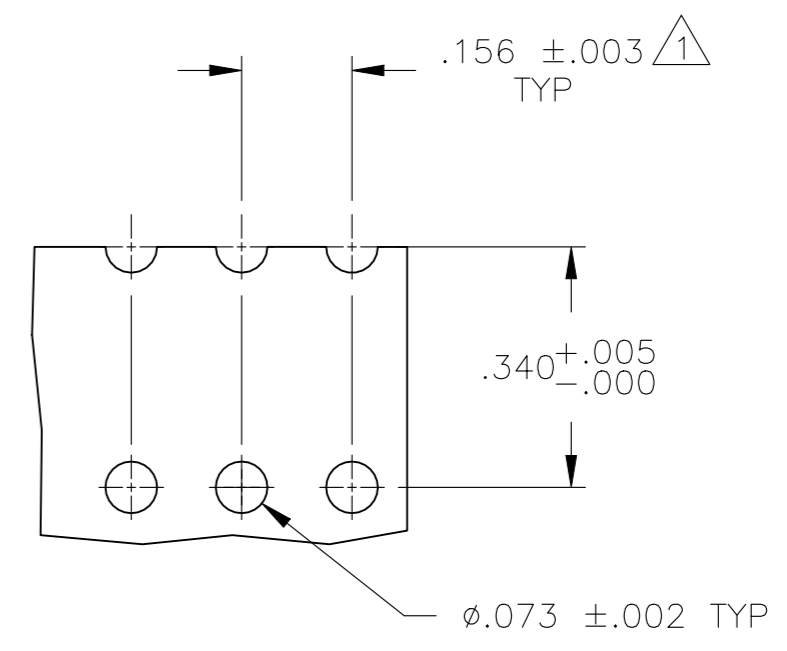
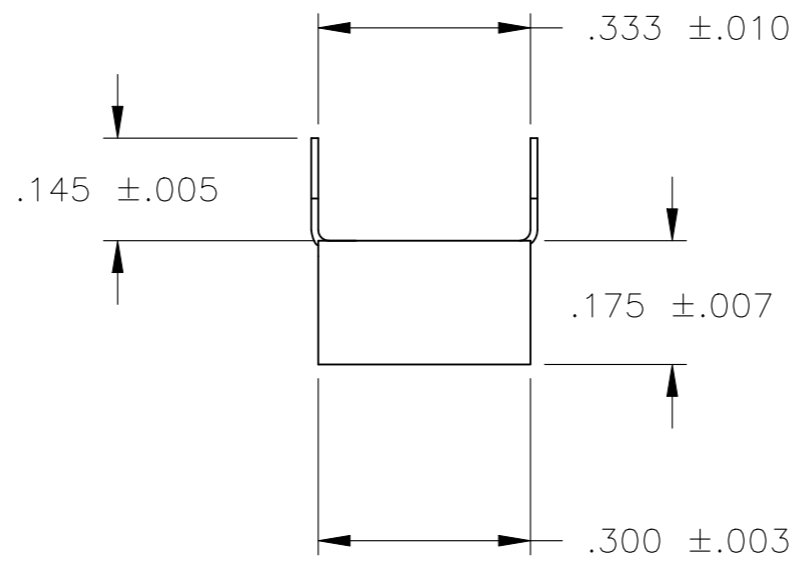
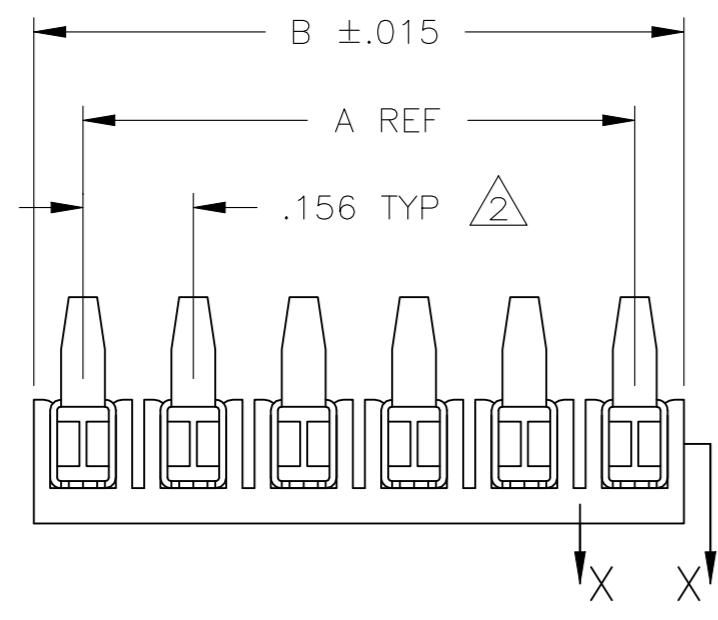


REVISIONS					
P	LTR	DESCRIPTION	DATE	DWN	APVD
C		RESIN SUPPLIER CHANGE FOR THE HOUSING	10MAY2022	SCB	PS

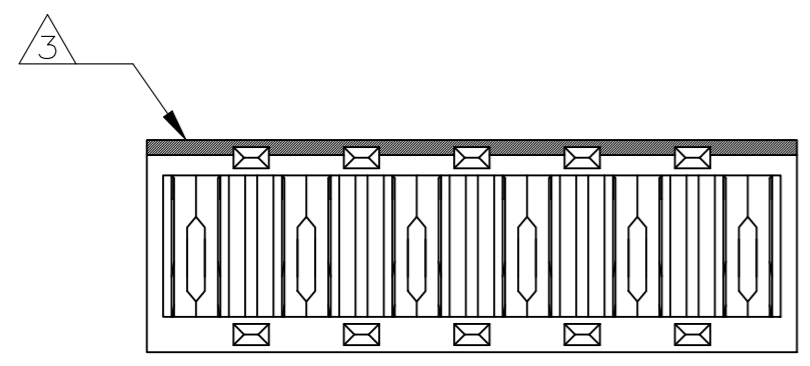


SECTION X-X

- ① POINT OF MEASUREMENT FOR PLATING THICKNESS (INSIDE OF BEAMS).
- ② TOLERANCE NON-CUMULATIVE.
- ③ THE MATING END OF THE CONTACT IS IDENTIFIED BY THE LETTER "A" STAMPED ON THE RECEPTACLE BOX AS WELL AS THE WHITE STRIPE LOCATED ON THE TOP OF THE HOUSING.
- ④ MATERIAL: HOUSING - FLAME RETARDANT THERMOPLASTIC, COLOR- BLACK. CONTACTS - PHOS BRONZE.
- ⑤ FINISH: CONTACTS- .000079 MIN THK TIN PLATE.



RECOMMENDED BOARD MOUNTING (RECOMMENDED BOARD THICKNESS: .055-.103)



1.872	1.716	12	1-147534-2
B	A	NO OF POSN	ASSEMBLY PART NUMBER

THIS DRAWING IS A CONTROLLED DOCUMENT.		DWN R BROWN 03NOV00	TE Connectivity		
DIMENSIONS: INCHES		CHK M ZITTO 02NOV00	ASSY, MOD I, BOARD MOUNT RECP, .156 CL, HIGH PRESSURE, TYPE C, FOR ROUND HOLE MOUNTING		
TOLERANCES UNLESS OTHERWISE SPECIFIED:		APVD M ZITTO 02NOV00			
0 PLC ± -		PRODUCT SPEC 108-25,016	SIZE A2	CAGE CODE 00779	DRAWING NO C=147534
1 PLC ± -		APPLICATION SPEC 114-25,004	SCALE 4:1	SHEET 1 of 1	REV C
2 PLC ± -		MATERIAL SEE NOTE 4	CUSTOMER DRAWING		
3 PLC ± .005		FINISH SEE NOTE 5			
4 PLC ± -					
ANGLES ± -					