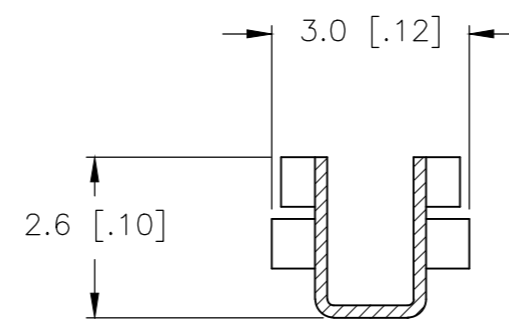
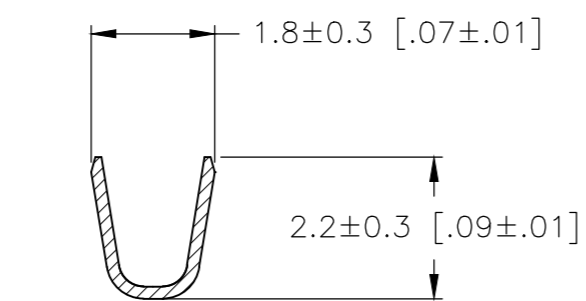
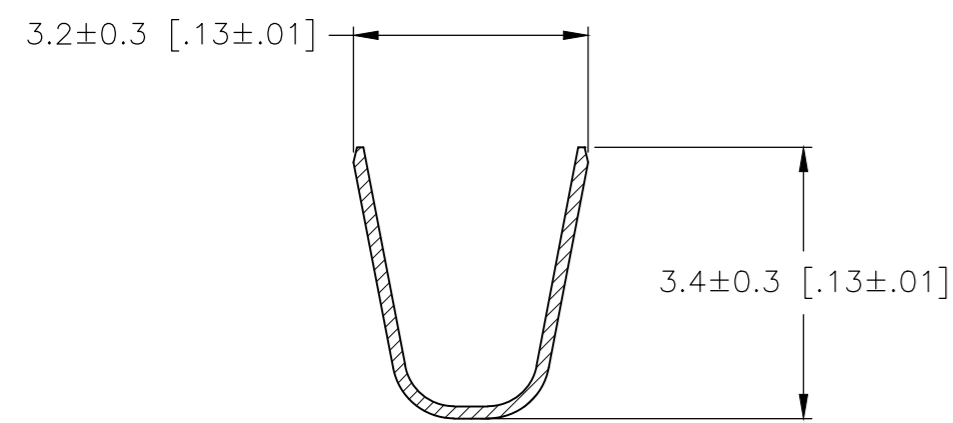
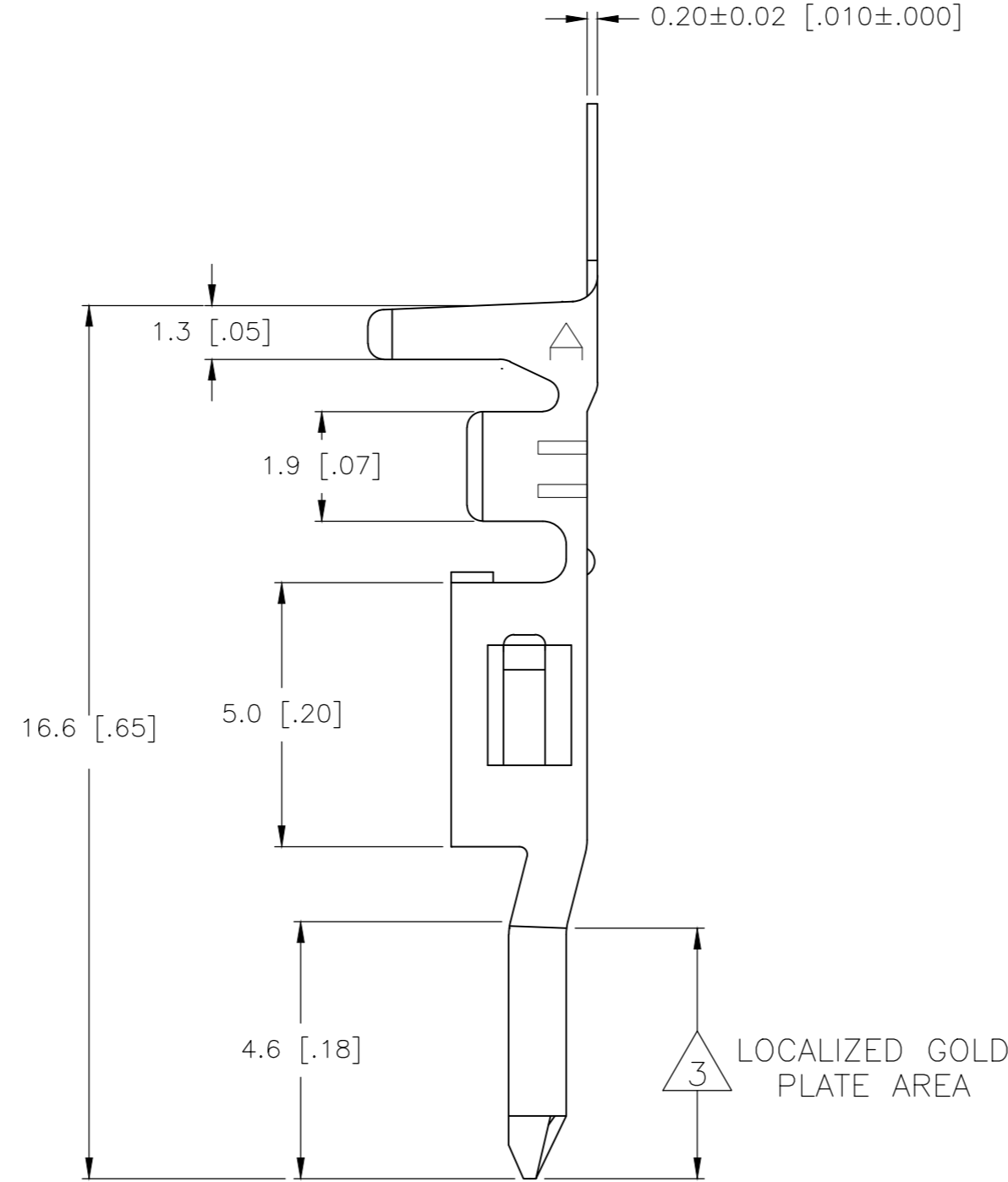
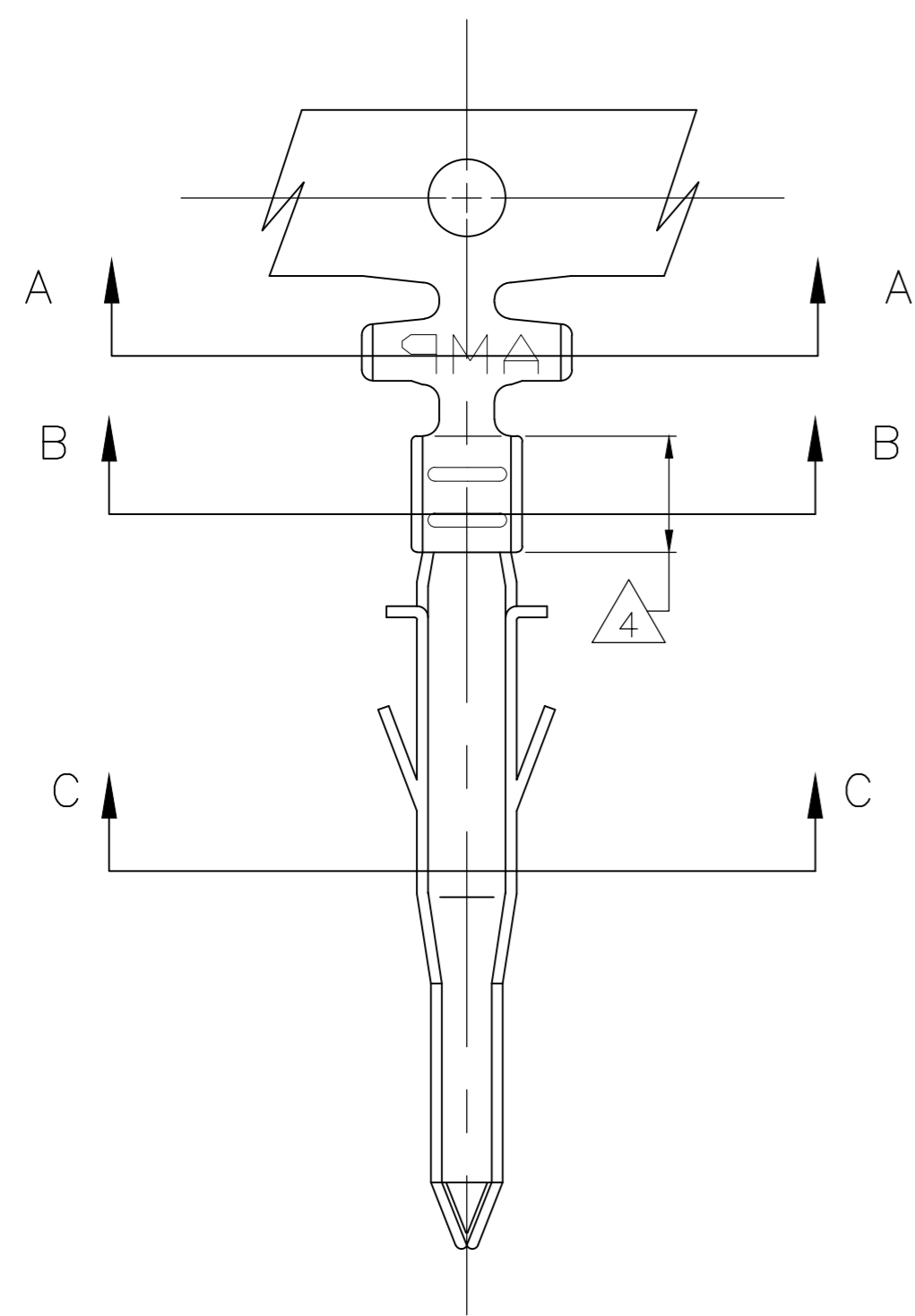


THIS DRAWING IS UNPUBLISHED. RELEASED FOR PUBLICATION
 © COPYRIGHT - By - ALL RIGHTS RESERVED.

REVISIONS				
P	LTR	DESCRIPTION	DATE	APVD
F4		REVISED PER ECO-18-001979	07FEB2018	J.Z D.Z

- 1 WIRE RANGE: 0.13–0.32mm² (26–22 AWG).
- 2 INSULATION RANGE: 1.20–1.75 DIA.
- 3 FINISH: 0.76µm MINIMUM GOLD IN LOCALIZED GOLD PLATE AREA OVER 1.27µm MINIMUM NICKEL
- 4 FINISH: 2.54µm MINIMUM PRE-TIN IN LOCALIZED TIN PLATE AREA.
- 5 FINISH: 2.54µm MINIMUM PRE-TIN ALL OVER.



SECTION A-A

SECTION B-B

SECTION C-C

GOLD	3 4	PHOS. BRZ.	794957-4
PRE-TIN	5	PHOS. BRZ.	794957-3
GOLD	3 4	BRASS	794957-2
PRE-TIN	5	BRASS	794957-1
FINISH:		MATERIAL:	PART NO.

THIS DRAWING IS A CONTROLLED DOCUMENT.		DWN	S. HAMM	06-SEP-2001	 TE Connectivity Ltd.
DIMENSIONS: mm [INCHES]		CHK	D. COLEY	07-SEP-2001	
TOLERANCES UNLESS OTHERWISE SPECIFIED:		APVD	D. COLEY	07-SEP-2001	
0 PLC ± 1 PLC ± 0.25 [.010] 2 PLC ± 0.25 [.010] 3 PLC ± 0.15 [.006] 4 PLC ± 0.050 [.0020] ANGLES ±		PRODUCT SPEC	NAME		
MATERIAL	FINISH	APPLICATION SPEC	TERMINAL PIN VAL-U-LOK(TM)		RESTRICTED TO
WEIGHT 0.000000		SIZE	A2	CAGE CODE 00779	DRAWING NO. C=794957
CUSTOMER DRAWING		SCALE	10:1	SHEET 1 of 1	REV F4

METRIC