



**ANATECH ELECTRONICS INC**  
RF & Microwave Filters & Products

# 4300 MHz Ceramic Bandpass Filter

**Part Number: AE4300CB1784**



## Electrical specifications

**Center Frequency:** 4300 MHz  
**Bandwidth:** 70 MHz  
**Passband:** 4265-4335 MHz  
**Insertion Loss @ 4300 MHz:** 4.0 dB Max  
**Ripple in BW:** 1.0 dB Max.  
**VSWR:** 1.7:1 Max.  
**Rejection 1:** 30 dB Min. @ 4150 MHz  
**Rejection 2:** 30 dB Min. @ 4450 MHz  
**Impedance:** 50 Ω  
**Power Handling:** 1 Watt

## Mechanical

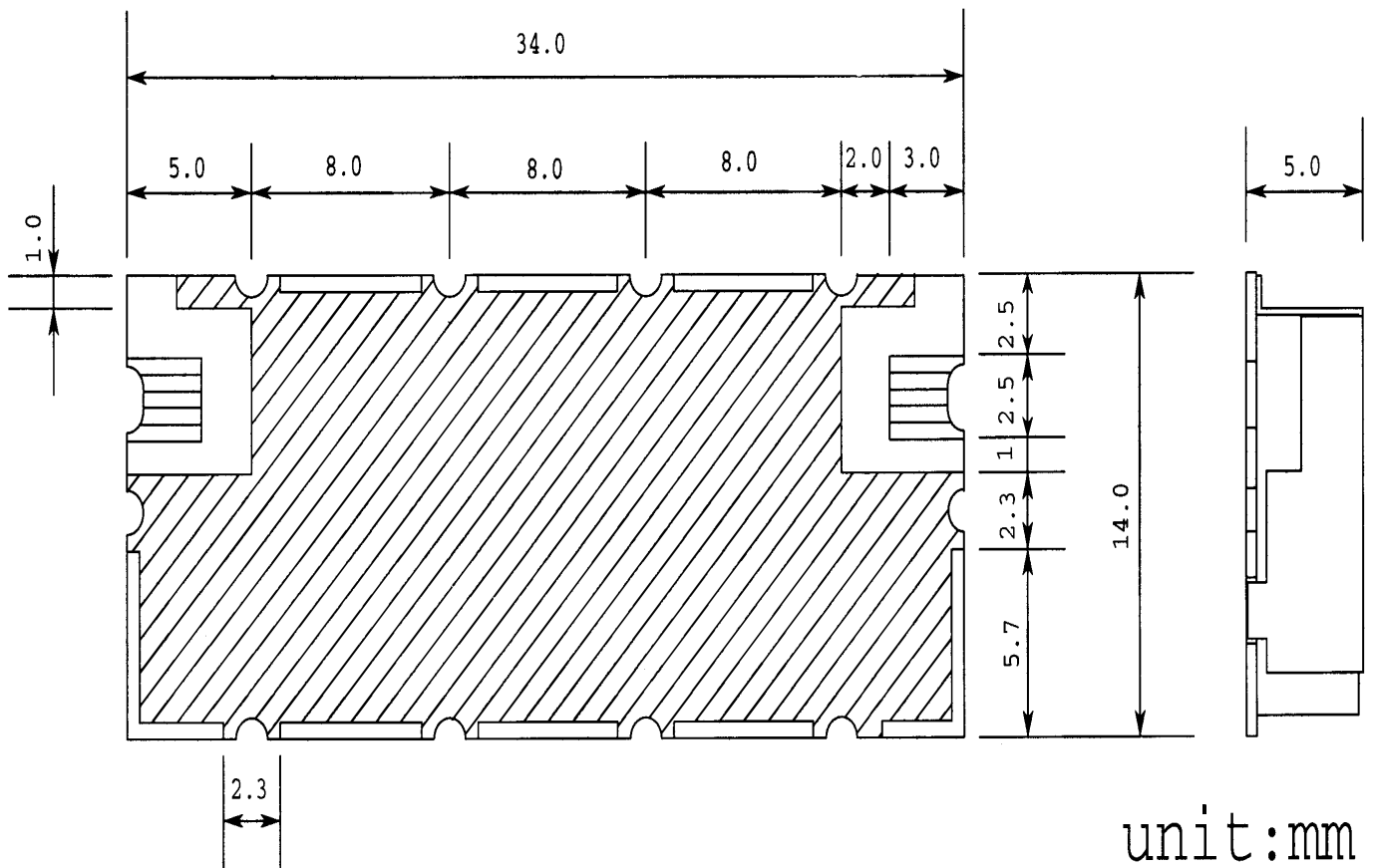
**Connector Type:** SMT  
**Dimensions:** 34 x 14 x 5 mm

## Environmental

**Operating Temperature:** -40° C to +80° C  
**Storage Temperature:** -45° C to +85° C  
**Shock:** 10 G. 11ms  
**Vibration:** 10 G. 5 to 200Hz

**This product is RoHS compliant.**

## Outline Drawing:



Tolerance: +/-0.01 inches [+/- 0.3mm]

Angles: +/- 1 Deg.

\*Tolerance as shown unless otherwise specified in the datasheet electrical specification tables above.

\*When max dimensions are called out the above tolerances do not apply as long as it is under the max call out.

70 Outwater Lane Phone: (973) 772-4242  
 Garfield, NJ 07026 Fax : (973) 321-3941

Email: [sales@anatechelectronics.com](mailto:sales@anatechelectronics.com)  
 Web: [www.anatechelectronics.com](http://www.anatechelectronics.com)