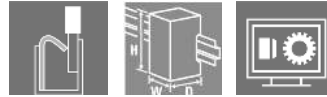


TERMSERIES TOP 120VAC RC 48VDC0.1A

Weidmüller Interface GmbH & Co. KG
 Klingenbergstraße 26
 D-32758 Detmold
 Germany
 Fon: +49 5231 14-0
 Fax: +49 5231 14-292083
 www.weidmueller.com

Product image



Similar to illustration

TERMSERIES complete solid-state relay modules 3 to 48 V DC 0.1 A output versions consisting of a solid-state relay and a base with AC/DC/UC input; available in different designs:

- With screw and tension-clamp connection
- In 6.4 mm width
- Optionally with multiple-voltage input: 24 to 230 V UC
- With various protective circuits in the input (free-wheel diode, RC element)
- Illuminated ejection lever

General ordering data

| | |
|------------|---|
| Type | TOP 120VAC RC 48VDC0.1A |
| Order No. | 2618650000 |
| Version | TERMSERIES, solid-state relays, 1 NO contact (Bipolar transistor), Rated control voltage: 120 V AC $\pm 10\%$, Rated switching voltage: 0...48 V DC, Continuous current: 100 mA, PUSH IN |
| GTIN (EAN) | 4050118670189 |
| Qty. | 10 pc(s). |

Creation date May 5, 2020 9:01:07 PM CEST

**TERMSERIES
TOP 120VAC RC 48VDC0.1A**

Weidmüller Interface GmbH & Co. KG
 Klingenbergstraße 26
 D-32758 Detmold
 Germany
 Fon: +49 5231 14-0
 Fax: +49 5231 14-292083
 www.weidmueller.com

Technical data**Dimensions and weights**

| | | | |
|------------|---------|-----------------|------------|
| Width | 6.4 mm | Width (inches) | 0.252 inch |
| Height | 89.4 mm | Height (inches) | 3.52 inch |
| Depth | 87.8 mm | Depth (inches) | 3.457 inch |
| Net weight | 28.53 g | | |

Temperatures

| | | | |
|-----------------------------|--|-----------------------------|----------------|
| Humidity | 5-95% relative humidity, T _u = 40°C, without condensation | Operating temperature, max. | 60 °C |
| Operating temperature, min. | -20 °C | Storage temperature, max. | 70 °C |
| Storage temperature, min. | -40 °C | Operating temperature | -20 °C...60 °C |
| Storage temperature | -40 °C...70 °C | | |

Probability of failure

| | |
|------|-------------|
| MTTF | 1,079 Years |
|------|-------------|

Rated data UL

| | | | |
|---|--------|------------------------------------|--|
| Ambient temperature (operational), max. | 60 °C | Connection cross-section AWG, min. | AWG 26 |
| Connection cross-section AWG, max. | AWG 14 | Type of conductor | rigid copper conductor, flexible copper conductor |
| Pollution severity level | 2 | | |

Control side

| | | | |
|---------------------------------------|----------------|---|-----------------------|
| Rated control voltage | 120 V AC ±10 % | Nominal control current | 7 mA AC (±20 %) |
| Power rating | 0.84 VA | Cut-in / dropout voltage | 79 V / 60 V AC |
| Status indicator | Green LED | Protective circuit | Rectifier, RC element |
| RC filter | 94 Ω / 100 nF | Coil voltage of the replacement relay deviating from the rated control voltage | Yes |
| Coil voltage of the replacement relay | 60 V DC | | |

Load side

| | | | |
|-------------------------------|---------------------|--|---------|
| Rated switching voltage | 0...48 V DC | Continuous current | 100 mA |
| Switch-on delay | < 6.5 ms | Switch-off delay | < 10 ms |
| Voltage drop at max. load | ≤ 1 V | Leakage current | < 10 µA |
| Min. switching current | 500 µA | Short-circuit-proof | No |
| Protective circuit, load side | Free-wheeling diode | max. switching frequency (AC control voltage) | 3 Hz |

Contact data

| | |
|--------------|--------------------------------------|
| Contact type | 1 NO contact (Bipolar transistor) |
|--------------|--------------------------------------|

General data

| | | | |
|---------------------------|-------|--------|-------|
| Rail | TS 35 | Colour | black |
| UL 94 flammability rating | V-0 | | |

TERMSERIES
TOP 120VAC RC 48VDC0.1A

Weidmüller Interface GmbH & Co. KG
 Klingenbergstraße 26
 D-32758 Detmold
 Germany
 Fon: +49 5231 14-0
 Fax: +49 5231 14-292083
 www.weidmueller.com

Technical data**Insulation coordination**

| | | | |
|--|-----------------------|---|------------------------------|
| Rated voltage | 300 V | Pollution severity | 2 |
| Surge voltage category | III | Clearance and creepage distances for control side - load side | ≥ 5.5 mm |
| Dielectric strength for control side - load side | 2.5 kV _{eff} | Dielectric strength to mounting rail | 4 kV _{eff} / 1 Min. |
| Impulse withstand voltage | 6 kV (1.2/50 µs) | Protection degree | IP20 |

Further details of approvals / standards

| | | | |
|-------------------------|--------------|-------------------------|------------|
| Standards | DIN EN 50178 | Certificate No. (DNVGL) | TAA00001E5 |
| Certificate no. (cULus) | E141197 | | |

Connection data

| | | | |
|---|---------------------|---|----------------------|
| Wire connection method | PUSH IN | Stripping length, rated connection | 8 mm |
| Clamping range, rated connection | 1.5 mm ² | Clamping range, min. | 0.14 mm ² |
| Clamping range, max. | 2.5 mm ² | Wire connection cross section AWG, min. | AWG 26 |
| Wire connection cross section AWG, max. | AWG 14 | Wire cross-section, solid, min. | 0.14 mm ² |
| Wire cross-section, solid, max. | 2.5 mm ² | Wire connection cross-section, finely stranded, min. | 0.14 mm ² |
| Wire connection cross section, finely stranded, max. | 2.5 mm ² | Wire cross-section, finely stranded, min. (AWG) | AWG 26 |
| Wire cross-section, finely stranded, max. (AWG) | AWG 14 | Wire connection cross-section, finely stranded with wire-end ferrules DIN 46228/4, min. | 0.15 mm ² |
| Wire connection cross-section, finely stranded with wire-end ferrules DIN 46228/4, max. | 1.5 mm ² | Conductor cross-section, flexible, AEH (DIN 46228-1), min. | 0.15 mm ² |
| Conductor cross-section, flexible, AEH (DIN 46228-1), max. | 1.5 mm ² | Twin wire-end ferrules, min. | 0.5 mm ² |
| Twin wire-end ferrules, max. | 1 mm ² | Blade size | 0.4 x 2.0 mm |

Classifications

| | | | |
|-------------|-------------|------------|-------------|
| ETIM 6.0 | EC001504 | ETIM 7.0 | EC001504 |
| eClass 9.0 | 27-37-16-04 | eClass 9.1 | 27-37-16-04 |
| eClass 10.0 | 27-37-16-04 | | |

Approvals

Approvals

**Downloads**

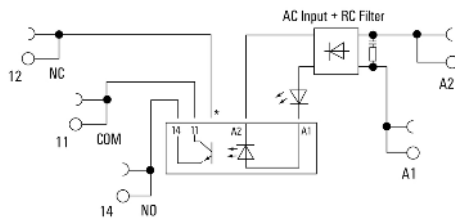
| | |
|---|---|
| Approval/Certificate/Document of Conformity | EU Konformitätserklärung / EU Declaration of Conformity |
| Engineering Data | EPLAN |
| Engineering Data | STEP |
| User Documentation | Beipackzettel / Package Insert - multilingual |

Creation date May 5, 2020 9:01:07 PM CEST

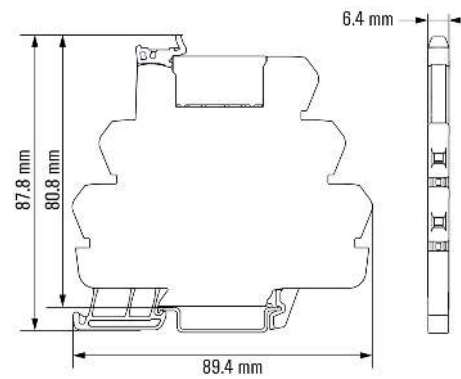
Catalogue status 01.05.2020 / We reserve the right to make technical changes.

**TERMSERIES
TOP 120VAC RC 48VDC0.1A**

Weidmüller Interface GmbH & Co. KG
Klingenbergstraße 26
D-32758 Detmold
Germany
Fon: +49 5231 14-0
Fax: +49 5231 14-292083
www.weidmueller.com

Drawings**Wiring diagram**

*Contact is assembled in socket but not used with solid-state relays

Dimensional drawing

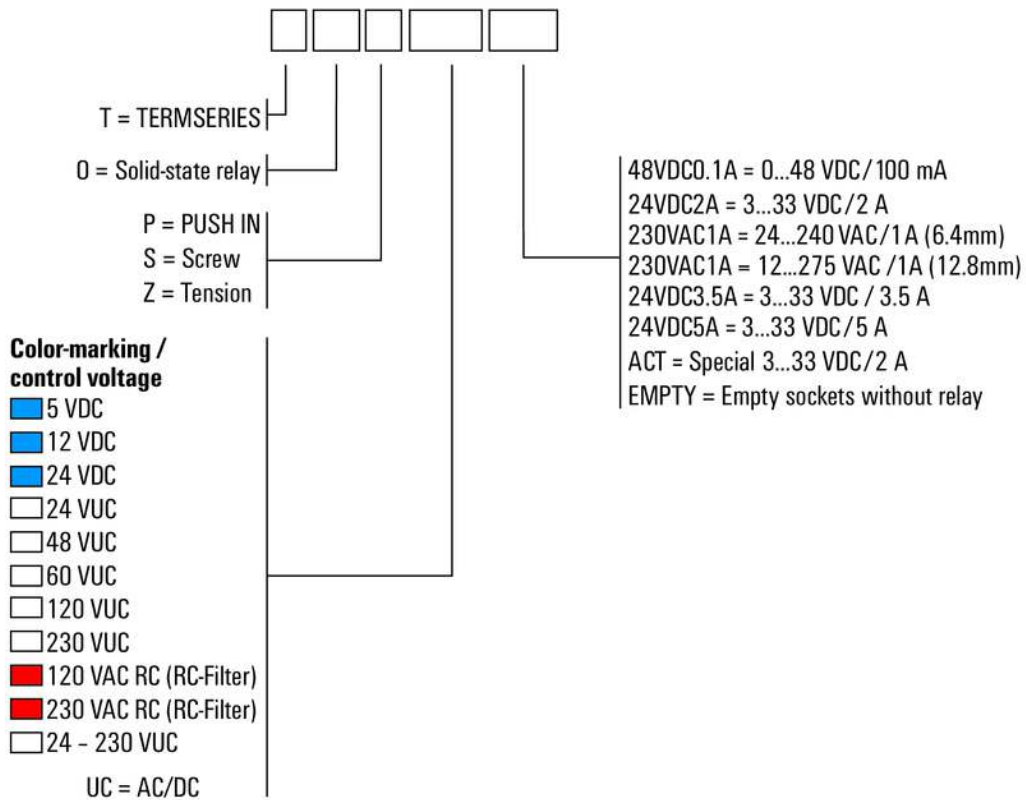
**TERMSERIES
TOP 120VAC RC 48VDC0.1A**

Weidmüller Interface GmbH & Co. KG
 Klingenbergstraße 26
 D-32758 Detmold
 Germany
 Fon: +49 5231 14-0
 Fax: +49 5231 14-292083
 www.weidmueller.com

Drawings

Miscellaneous

Type code TERMSERIES solid-state relay versions



Type codes