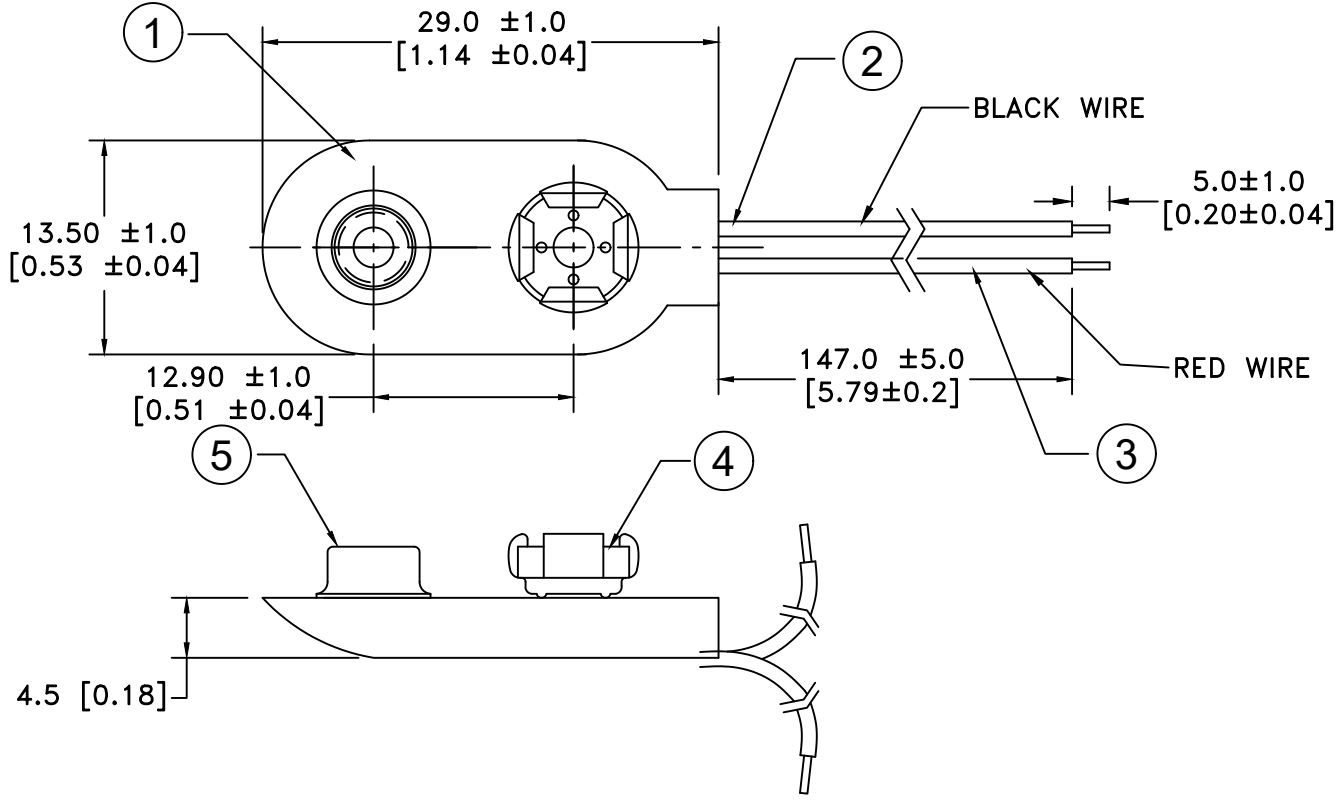


Date	SYM	REVISION RECORD	AUTH	DR.	CK.
6/07/19	D	UPDATED ALL DIMENSIONS	T.B.	B.S.	



NOTE:  
 ORIENTATION OF SNAPS AND WIRES VARIES  
 AND IS SHOWN FOR REFERENCE ONLY.  
 RED WIRE TO POSITIVE CONTACT.  
 BLACK WIRE TO NEGATIVE CONTACT.

ROHS COMPLIANT

N0.	PART NAME	MATERIAL	QTY.	Tolerance (Except as noted)	MPD Memory Protection Devices, Inc 200 Broad Hollow Road, Farmingdale, New York 11735			
1	COVER	PVC COVER OVER FIBERBOARD	1	decimal ±.5 (.020)	Scale	Drawn By B.S.		
2	BLACK WIRE(-)	24 AWG, UL-1007, CSA TR-64, 300V, 80°C	1			Approved By T.B.		
3	RED WIRE (+)	24 AWG, UL-1007, CSA TR-64, 300V, 80°C	1	Fractional ± .8 (.030)	Title 9 VOLT BATTERY SNAP-I STYLE-6" WIRE LEADS			
4	FEMALE SNAP	BRASS, NICKLE PLATED	1		Angular ± 3°	Date 6/07/19	Drawing Number BS6I	
5	MALE SNAP	BRASS NICKLE PLATED	1					