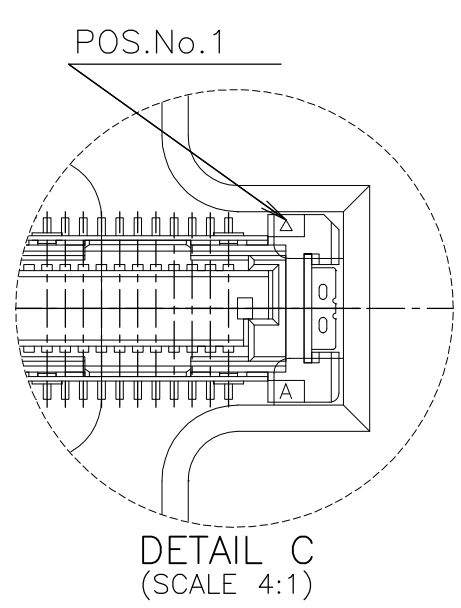
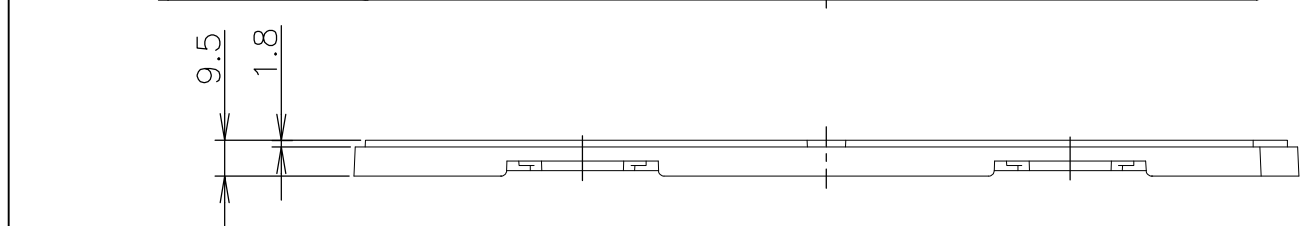
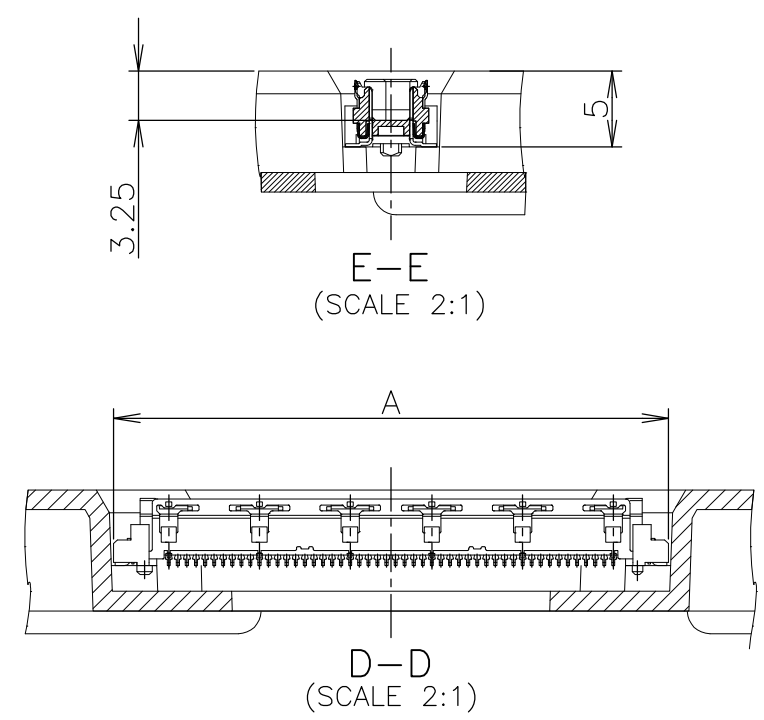
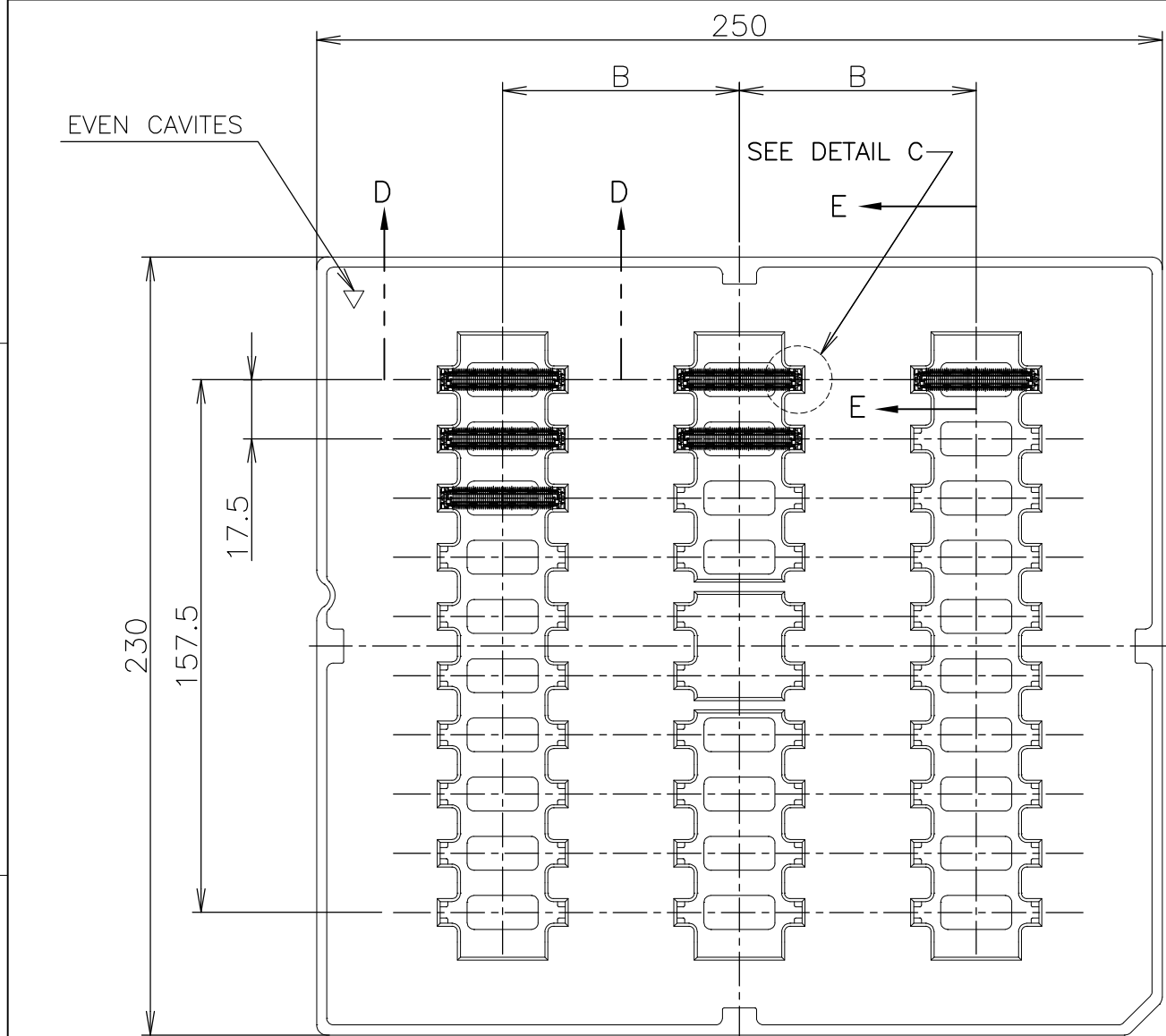


THIS DRAWING IS UNPUBLISHED. RELEASED FOR PUBLICATION AUG, 1996.  
 © COPYRIGHT 1996 By - ALL RIGHTS RESERVED.

LOC	DIST	REVISIONS			DATE	DWN	APVD
		P	LTR	DESCRIPTION			
J		A1	REVISED	ECR-15-012060	14SEP2015	I.T	W.H



SEALANT	TOOLING STATUS	ROW	QTY	B	A	POS.	TRAY P/N	PART NO.
NOT AVAILABLE		3	30	70	54.7	160	9-912067-2	1-5353471-1
NOT AVAILABLE					48.7	140	9-912066-2	1- -0
					42.7	120	9-912067-1	-9
					36.7	100	9- -0	-8
		3	30	70	33.7	90	8- -9	-7
		5	50	43	30.7	80	8- -8	-6
					27.7	70	8- -7	-5
					24.7	60	8- -6	-4
					21.7	50	8- -5	-3
					18.7	40	8- -4	-2
NOT AVAILABLE		5	50	43	15.7	30	8-912067-3	5353471-1

GENERAL TOLERANCE  
 一般公差

10 ≥ ±0.2  
 30 ≥ >10: ±0.25  
 100 ≥ >30: ±0.3  
 ANGLES: ±3°

THIS DRAWING IS A CONTROLLED DOCUMENT.

DIMENSIONS: 单位: 毫米 mm

TOLERANCES UNLESS OTHERWISE SPECIFIED: 一般公差

0 PLC ± -  
 1 PLC ± -  
 2 PLC ± -  
 3 PLC ± -  
 4 PLC ± -  
 ANGLES ± -

MATERIAL 材料

FINISH 仕上

DWN HAWKING HE 14DEC04  
 CHK STEVEN YAO 14DEC04  
 APVD I.ENOMOTO 14DEC04  
 PRODUCT SPEC 製品規格 108-60047  
 APPLICATION SPEC 取付適用規格 114-5255  
 WEIGHT

**STE** TE Connectivity

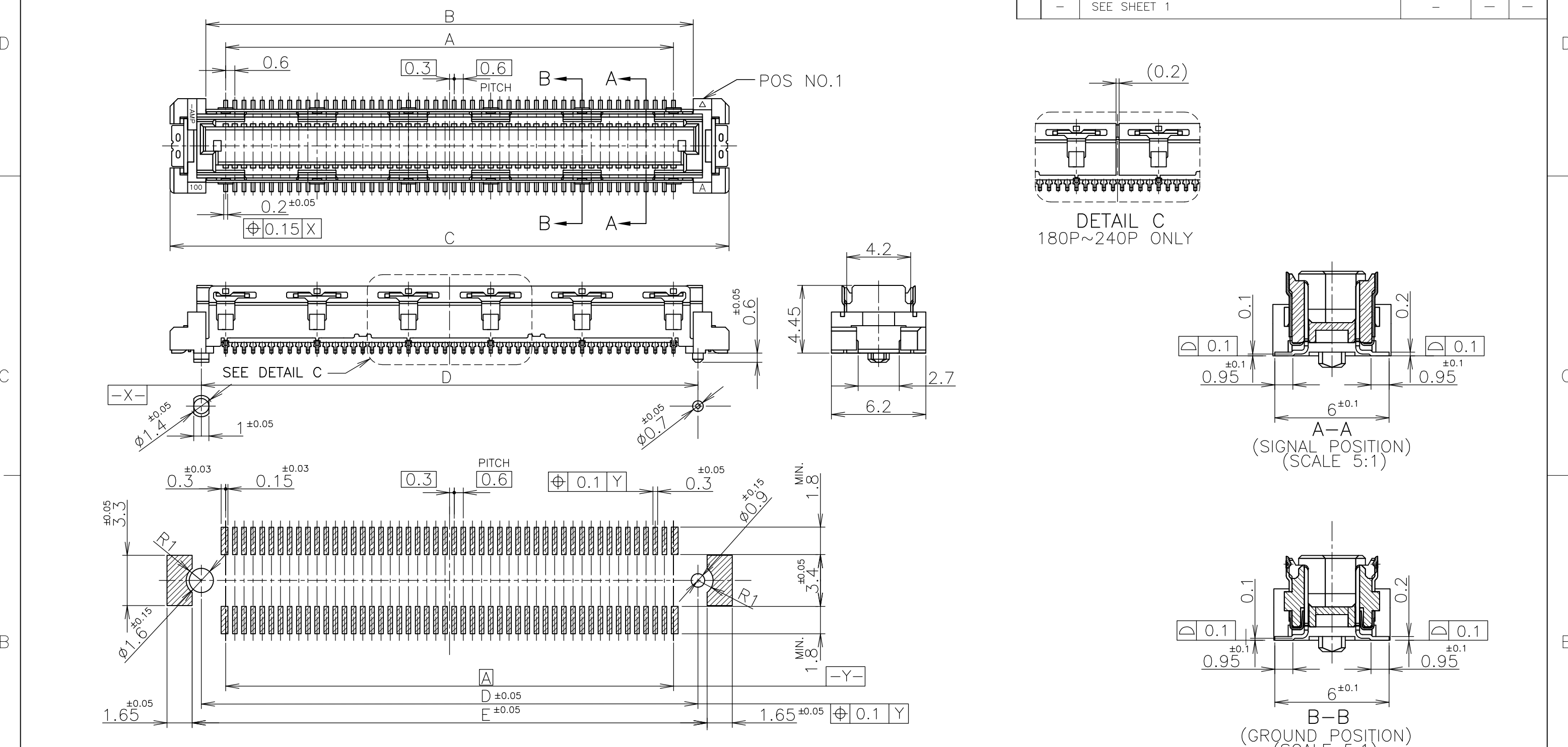
HARD TRAY ASSY  
 FH 0.6BTB CONNECTOR  
 PLUG 5H W/G-PLATE

NAME 名称  
 SIZE A3 CAGE CODE 00779 DRAWING NO. 番号 C-5353471 RESTRICTED TO

CUSTOMER DRAWING SCALE 尺度 1:2 SHEET 1 OF 3 REV A1

THIS DRAWING IS UNPUBLISHED. RELEASED FOR PUBLICATION AUG, 1996.  
 © COPYRIGHT 1996 By - ALL RIGHTS RESERVED.

LOC	DIST	REVISIONS					
J		P	LTR	DESCRIPTION	DATE	DWN	APVD
		-		SEE SHEET 1	-	-	-



REFERENCE P.C.BOARD LAYOUT

AVAILABLE	51.8	50.6	54.7	50	47.4	160
NOT AVAILABLE	45.8	44.6	48.7	44	41.4	140
	39.8	38.6	42.7	38	35.4	120
	33.8	32.6	36.7	32	29.4	100
	30.8	29.6	33.7	29	26.4	90
	27.8	26.6	30.7	26	23.4	80
	24.8	23.6	27.7	23	20.4	70
	21.8	20.6	24.7	20	17.4	60
	19.8	17.6	21.7	17	14.4	50
	15.8	14.6	18.7	14	11.4	40
NOT AVAILABLE	12.8	11.6	15.7	11	8.4	30
TOOLING STATUS	E	D	C	B	A	POS

GENERAL TOLERANCE  
 一般公差

10 ≥ ±0.2  
 30 ≥ >10: ±0.25  
 100 ≥ >30: ±0.3  
 ANGLES: ±3°

THIS DRAWING IS A CONTROLLED DOCUMENT.

DIMENSIONS: 単位: 耗 mm

TOLERANCES UNLESS OTHERWISE SPECIFIED: 一般公差

0 PLC ± -  
 1 PLC ± -  
 2 PLC ± -  
 3 PLC ± -  
 4 PLC ± -  
 ANGLES ± -

FINISH 仕上

MATERIAL 材料

DWN  
 CHK  
 APVD  
 PRODUCT SPEC 製品規格  
 APPLICATION SPEC 取付適用規格  
 WEIGHT

CUSTOMER DRAWING

SCALE 尺度 4:1

SHEET 2 OF 3

REV A1

RESTRICTED TO

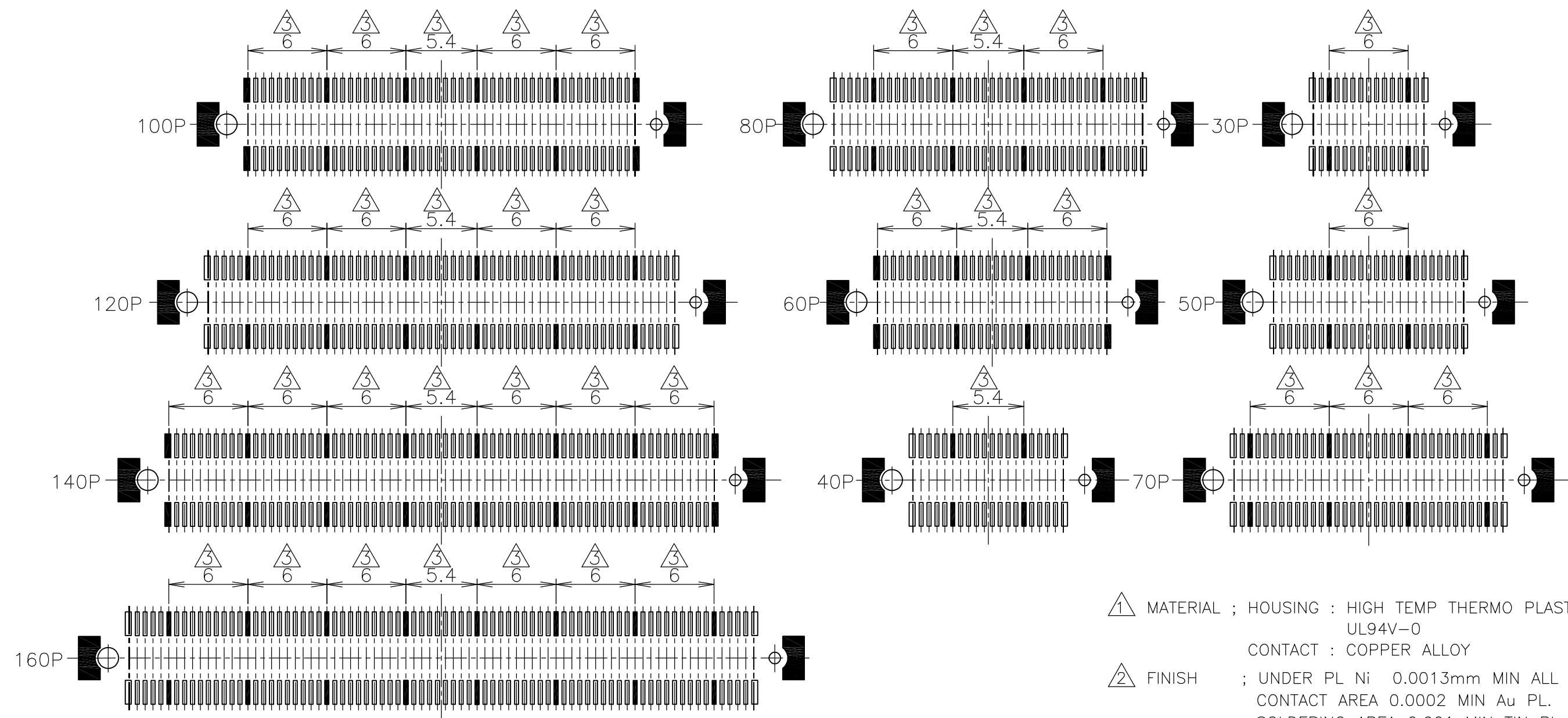
STE TE Connectivity

NAME 名称  
 HARD TRAY ASSY  
 FH 0.6BTB CONNECTOR  
 PLUG 5H W/G-PLATE

SIZE A3 CAGE CODE 00779 DRAWING NO. 番号 G-5353471

THIS DRAWING IS UNPUBLISHED. RELEASED FOR PUBLICATION AUG, 1996.  
 © COPYRIGHT 1996 By - ALL RIGHTS RESERVED.

LOC	DIST	REVISIONS		
J		P	LTR	DESCRIPTION
		-		SEE SHEET 1
			DATE	DWN
				APVD



- ① MATERIAL ; HOUSING : HIGH TEMP THERMO PLASTIC UL94V-0  
CONTACT : COPPER ALLOY
- ② FINISH ; UNDER PL Ni 0.0013mm MIN ALL OVER.  
CONTACT AREA 0.0002 MIN Au PL.  
SOLDERING AREA 0.001 MIN TIN PL.
- ③ ■ THIS POSITION IS GROUND CIRCUIT.

GENERAL TOLERANCE  
 一般公差

10 ≥ ±0.2  
 30 ≥ >10: ±0.25  
 100 ≥ >30: ±0.3  
 ANGLES: ±3°

THIS DRAWING IS A CONTROLLED DOCUMENT.		DWN		<b>STE</b> TE Connectivity	
DIMENSIONS: 單位: 耗 mm		CHK			
TOLERANCES UNLESS OTHERWISE SPECIFIED: 一般公差		APVD		NAME 名稱	
0 PLC ± - 1 PLC ± - 2 PLC ± - 3 PLC ± - 4 PLC ± - ANGLES ± -		PRODUCT SPEC 製品規格		HARD TRAY ASSY FH 0.6BTB CONNECTOR PLUG 5H W/G-PLATE	
MATERIAL 材料		FINISH 仕上		SIZE	CAGE CODE
①		②		A3	00779
				DRAWING NO 番号	RESTRICTED TO
				G-5353471	
		CUSTOMER DRAWING		SCALE 尺度	SHEET
				3:1	3 OF 3
				REV	A1