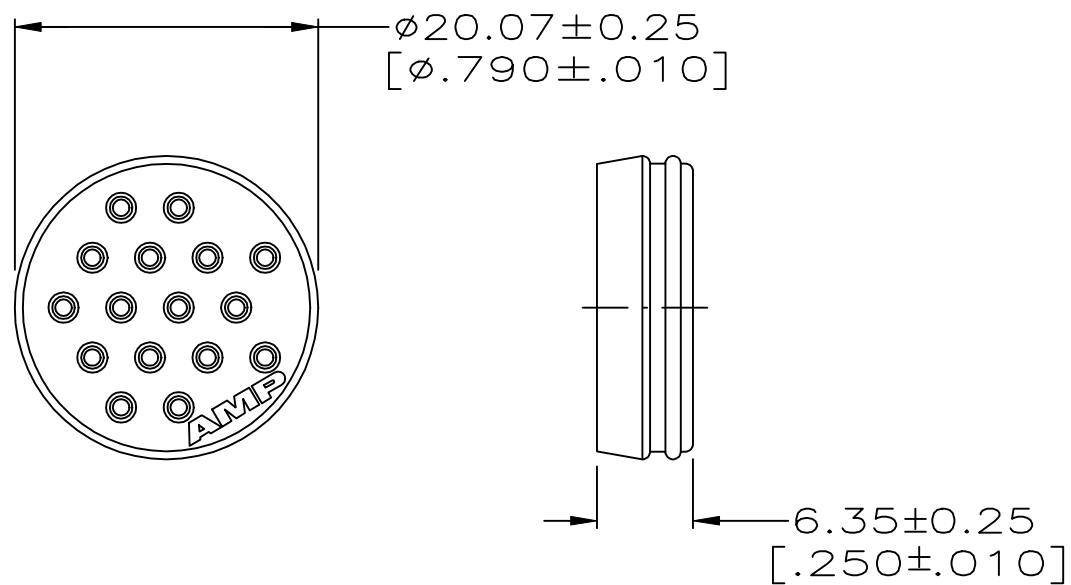
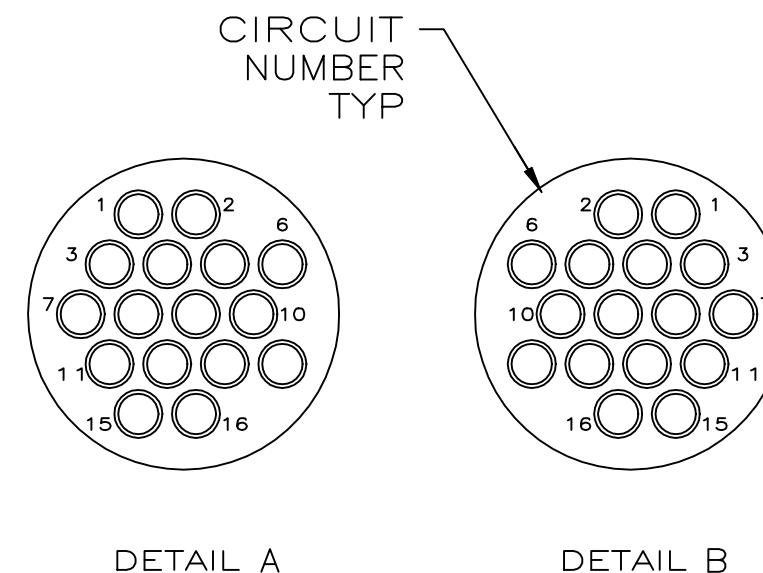


REVISIONS

P	LTR	DESCRIPTION	DATE	DWN	APVD
C		REV PER EC 0320-144-97	05MAY97	CO	AF
D		REV PER ECR-18-000581	23JAN2018	RS	MZ

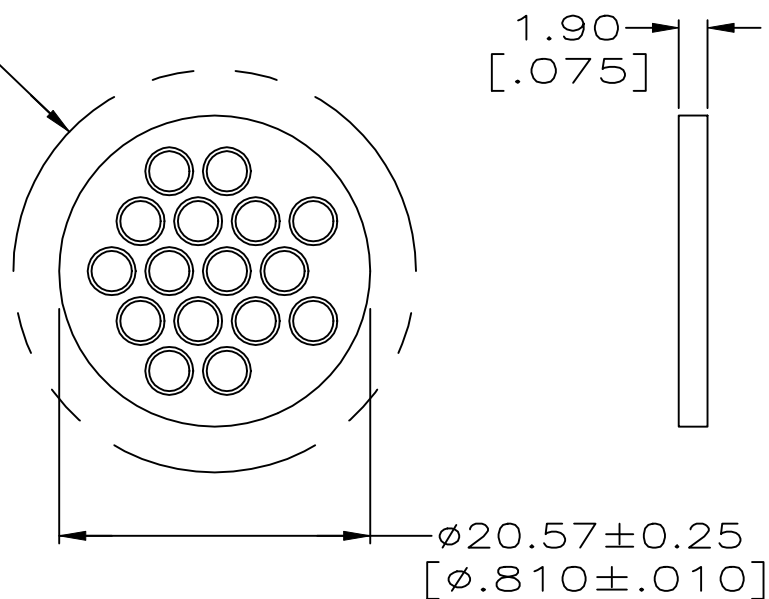


SEAL
MATERIAL: SILICON, RED IRON OXIDE
QTY=1




1. DETAIL "A" FOR USE WITH SOCKET CONTACTS.
2. DETAIL "B" FOR USE WITH PIN CONTACTS.
3. INSULATION RANGE: $\phi 1.90$ [$\phi .075$] TO $\phi 2.54$ [$\phi .100$]

SEE TABLE
FOR CAVITY
IDENTIFICATION
DETAIL



PRESSURE PLATE
MATERIAL: NYLON, BLACK
QTY=1

PER DETAIL B	213920-2
PER DETAIL A	213920-1
CAVITY IDENT	PART NUMBER

THIS DRAWING IS A CONTROLLED DOCUMENT.		DWN W.G.LENKER 09 OCT 95	 TE Connectivity Ltd.				
DIMENSIONS: mm [INCHES]		CHK R.STONE 11 OCT 95					
TOLERANCES UNLESS OTHERWISE SPECIFIED:		APVD A.FRANTUM 11 OCT 95	NAME				
0 PLC $\pm -$ 1 PLC $\pm -$ 2 PLC ± 0.13 [.005] 3 PLC $\pm -$ 4 PLC $\pm -$ ANGLES $\pm -$		PRODUCT SPEC 108-1579	WIRE ENTRY SEAL KIT, UNASSEMBLED, SIZE 17-16, CPC				
MATERIAL SEE CALLOUTS		FINISH -	APPLICATION SPEC -	SIZE A3	CAGE CODE 00779	DRAWING NO C=213920	RESTRICTED TO -
CUSTOMER DRAWING			WEIGHT	SCALE 2:1	SHEET 1 OF 1	REV D	