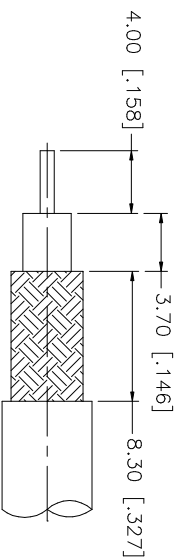
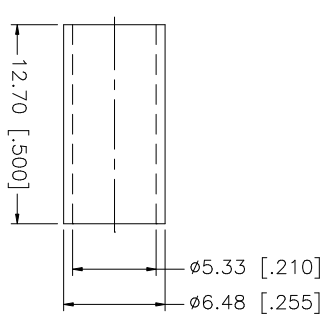
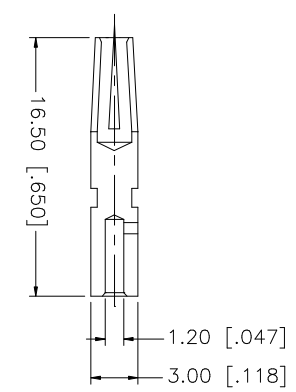
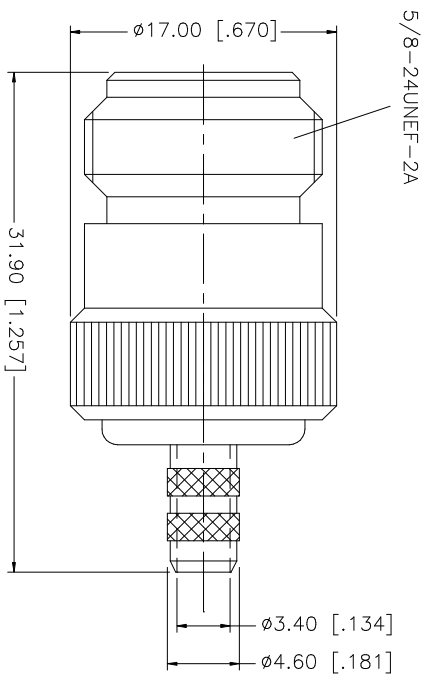


REV.	DATE	DESCRIPTION
A	12/09/03	UPDATE DRAWING FORMAT



RECOMMENDED  
CABLE STRIPPING DIM'S



- NOTES:
1. CRIMPED FERRULE  
HEX. CRIMP SIZE .213"
  2. CRIMPED CONTACT PIN  
HEX. CRIMP SIZE .100"

QTY	FINISH	MATERIAL	DESCRIPTION
1	NEXCOTE	COPPER	FERRULE
1	GOLD	PHOS. BRONZE	CONTACT PIN
1	NATURAL	TEFLON	INSULATOR
1	NEXCOTE	BRASS	BODY
			DESCRIPTION

APPROVALS	DATE	DATE
DRAWN G.R.S.	12/09/03	
CHECKED		
ISSUED		
SHEET 1 OF 1		

UNLESS OTHERWISE SPECIFIED DIMENSIONS ARE INCHES AND FOR CUSTOMER REFERENCE ONLY.	UNLESS OTHERWISE SPECIFIED TOLERANCES FOR MILLIMETERS ARE:	UNLESS OTHERWISE SPECIFIED TOLERANCES FOR INCHES ARE:
0.5 - 8mm ± 0.20mm	30 - 120mm ± 0.50mm	.020 - .315 = ± 0.007"
8 - 30mm ± 0.40mm		.315 - 1.180 = ± 0.015"
		1.180 - 4.724 = ± 0.020"

PART DESCRIPTION	PART NO.	DWG. NO.	REV.	SIZE	SCALE
<b>Amphenol Connex</b>	N CRIMP JACK (FOR LMR200 CABLE - 50ohms)	172216.DWG	A	A	NA
	172216				