

1456985-3 ✓ ACTIVE



### Get .64 Connector System

TE Internal #: 1456985-3

Housing for Female Terminals, Wire-to-Device / Wire-to-Board, 6 Position, .1 in [2.54 mm] Centerline, Black, Signal, Get .64 Connector System

[View on TE.com >](#)

Connectors > Automotive Connectors > Automotive Housings > GET .64 CONNECTOR SYSTEM, CONNECTOR HSG



Connector & Housing Type: **Housing for Female Terminals**

Mating Tab Width: **1 mm [ .039 in ]**

Connector System: **Wire-to-Board, Wire-to-Device**

Number of Positions: **6**

Centerline (Pitch): **2.54 mm [ .1 in ]**

[All GET .64 CONNECTOR SYSTEM, CONNECTOR HSG \(114\)](#)

## Features

### Product Type Features

Connector Shape	Rectangular
Connector & Housing Type	Housing for Female Terminals
Connector System	Wire-to-Board, Wire-to-Device
Sealable	No
Hybrid Connector	No
Primary Locking Feature	Integrated in Housing

### Configuration Features

Number of Positions	6
Number of Rows	1

### Body Features

Cable Exit Angle	180°
Primary Product Color	Black



Connector & Keying Code	C
-------------------------	---

### Contact Features

Contact Size	.64mm
--------------	-------

Contact Type	Receptacle
--------------	------------

Mating Tab Width	1 mm [.039 in]
------------------	----------------

### Mechanical Attachment

Terminal Position Assurance	Yes
-----------------------------	-----

Strain Relief	Without
---------------	---------

Mating Alignment Type	Keyed
-----------------------	-------

Mating Alignment	With
------------------	------

Connector Mounting Type	Cable Mount (Free-Hanging)
-------------------------	----------------------------

### Housing Features

Housing Material	PA GF
------------------	-------

Centerline (Pitch)	2.54 mm [.1 in]
--------------------	-----------------

### Dimensions

Connector Height	13.35 mm [.526 in]
------------------	--------------------

Product Width	18.55 mm [.73 in]
---------------	-------------------

Product Length	23.4 mm [.921 in]
----------------	-------------------

### Usage Conditions

Operating Temperature (Max)	70 °C, 75 °C, 80 °C, 85 °C, 90 °C, 100 °C [158 °F][167 °F][176 °F][185 °F][194 °F][212 °F]
-----------------------------	---

Operating Temperature Range	-40 – 100 °C [-40 – 212 °F]
-----------------------------	-----------------------------

### Operation/Application

Circuit Application	Signal
---------------------	--------

### Industry Standards

Agency/Standard	SAE/USCAR-2
-----------------	-------------

UL Flammability Rating	UL 94HB
------------------------	---------

### Packaging Features

Packaging Quantity	900
--------------------	-----

Packaging Method	Bag
------------------	-----

### Other



Serviceable	Yes
Connector Position Assurance Capable	Yes

### Product Compliance

[For compliance documentation, visit the product page on TE.com>](#)

EU RoHS Directive 2011/65/EU	Compliant
EU ELV Directive 2000/53/EC	Compliant
China RoHS 2 Directive MIIT Order No 32, 2016	No Restricted Materials Above Threshold
EU REACH Regulation (EC) No. 1907/2006	Current ECHA Candidate List: JUNE 2023 (235) Candidate List Declared Against: JUNE 2023 (235) Does not contain REACH SVHC
Halogen Content	Low Halogen - Br, Cl, F, I < 900 ppm per homogenous material. Also BFR/CFR/PVC Free
Solder Process Capability	Not applicable for solder process capability

#### Product Compliance Disclaimer

This information is provided based on reasonable inquiry of our suppliers and represents our current actual knowledge based on the information they provided. This information is subject to change. The part numbers that TE has identified as EU RoHS compliant have a maximum concentration of 0.1% by weight in homogenous materials for lead, hexavalent chromium, mercury, PBB, PBDE, DBP, BBP, DEHP, DIBP, and 0.01% for cadmium, or qualify for an exemption to these limits as defined in the Annexes of Directive 2011/65/EU (RoHS2). Finished electrical and electronic equipment products will be CE marked as required by Directive 2011/65/EU. Components may not be CE marked. Additionally, the part numbers that TE has identified as EU ELV compliant have a maximum concentration of 0.1% by weight in homogenous materials for lead, hexavalent chromium, and mercury, and 0.01% for cadmium, or qualify for an exemption to these limits as defined in the Annexes of Directive 2000/53/EC (ELV). Regarding the REACH Regulation, the information TE provides on SVHC in articles for this part number is based on the latest European Chemicals Agency (ECHA) 'Guidance on requirements for substances in articles' posted at this URL: <https://echa.europa.eu/guidance-documents/guidance-on-reach>

### Compatible Parts



Also in the Series | [Get .64 Connector System](#)



Automotive Connector Caps & Covers (7)



Automotive Housings(118)



Automotive Terminals(30)



Insertion & Extraction Tools(1)



PCB Headers & Receptacles(1)

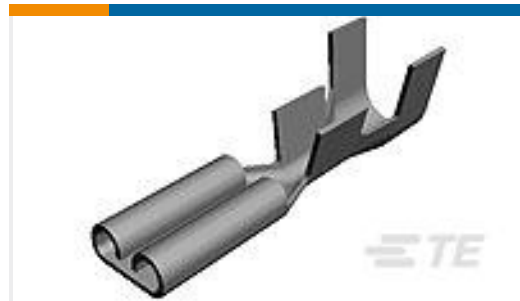
## Customers Also Bought



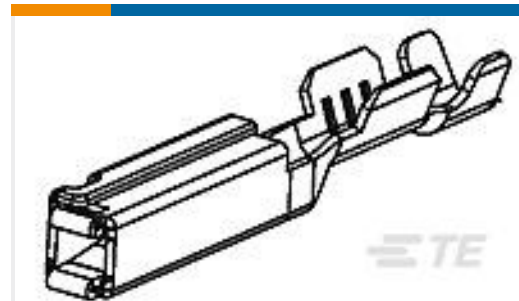
TE Part #1-1355200-1  
MCP2,8BU-GEH ASSY2P



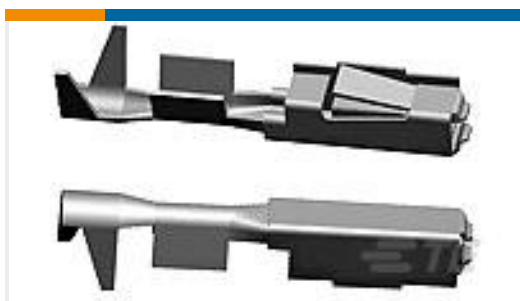
TE Part #1-1718333-1  
MQS, CONNECTOR HOUSING



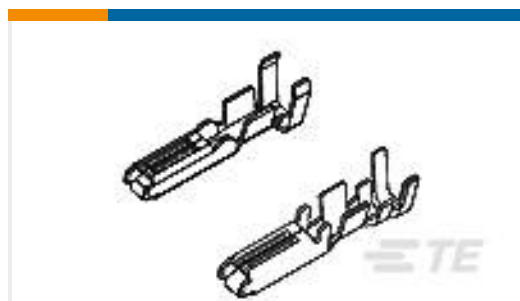
TE Part #62094-1  
110 FASTON REC 22-18 AWG TPBR



TE Part #1393366-1  
V23540X7000Y 21=GET-FEM TERM S



TE Part #5-928999-1  
MQS0,63 Sn rec LL unseal. >0,2-0,35



TE Part #776129-6  
.070 MULTILOCK RECPT 14AWG CON



TE Part #636901P005  
QS1500-NO.3-F7-0-45MM



TE Part #3-2176422-2  
TLRP 2512 3.0W R050 1% 25PPM 4K RL

## Documents

### Product Drawings

[1X6 Fem unsealed low profile assy Key C](#)

English

### CAD Files

[Customer View Model](#)

[ENG\\_CVM\\_CVM\\_1456985-3\\_D.2d\\_dxf.zip](#)

English

[3D PDF](#)



3D

Customer View Model

[ENG\\_CVM\\_CVM\\_1456985-3\\_D.3d\\_igs.zip](#)

English

Customer View Model

[ENG\\_CVM\\_CVM\\_1456985-3\\_D.3d\\_stp.zip](#)

English

By downloading the CAD file I accept and agree to the [Terms and Conditions](#) of use.

**Datasheets & Catalog Pages**

[GET 0.64 Interconnection System](#)

English