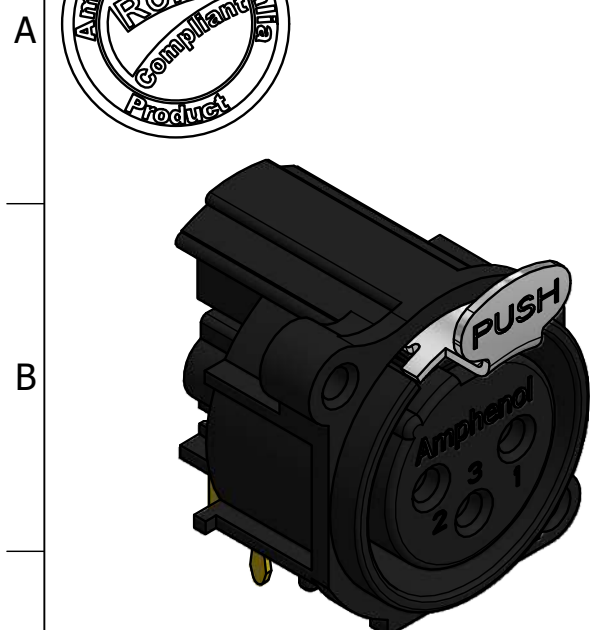


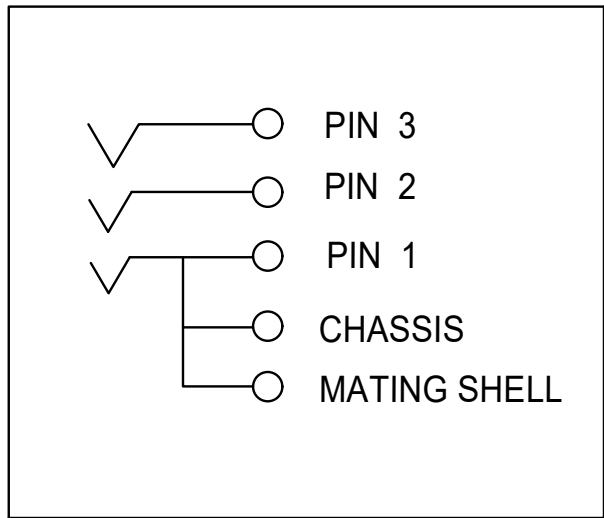
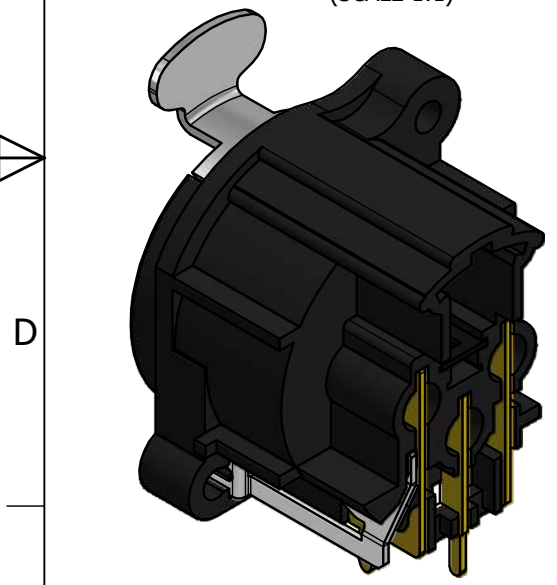
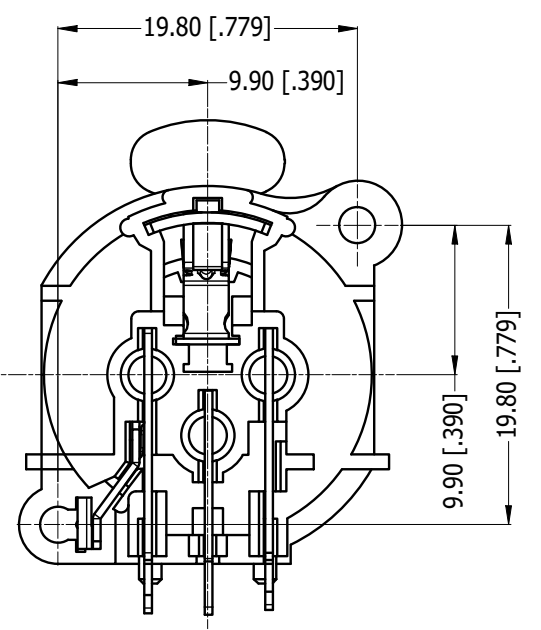
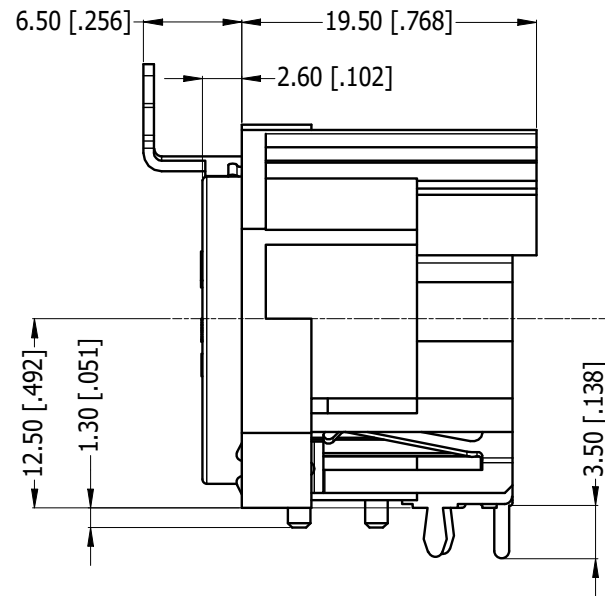
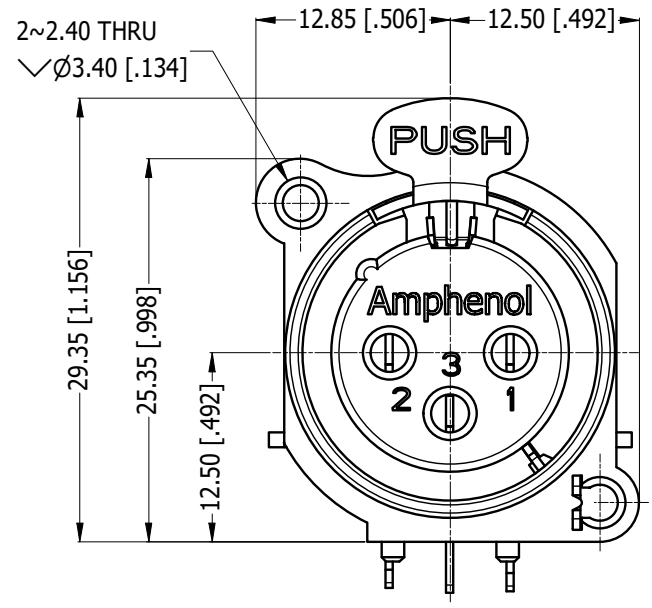
LEGEND = KEY PRODUCT CHARACTERISTICS



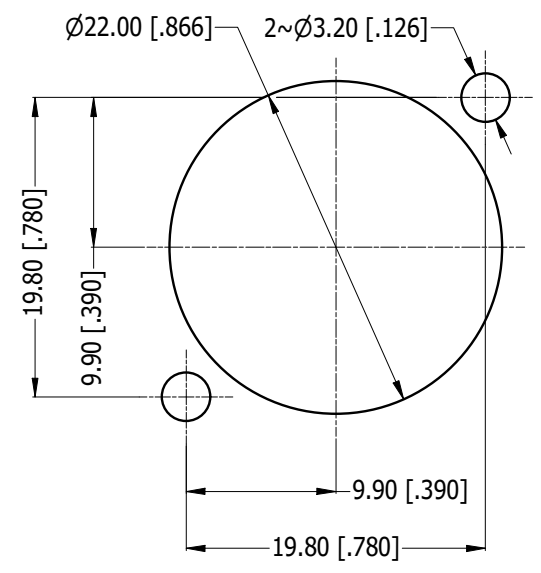
REVISION HISTORY				
REV	DESCRIPTION	DATE	BY	CHG/No
0	FIRST ISSUE	20/08/2014	MH	---
1	CORRECT THE CONTACT HEIGHT	16/11/2020	MH	9626



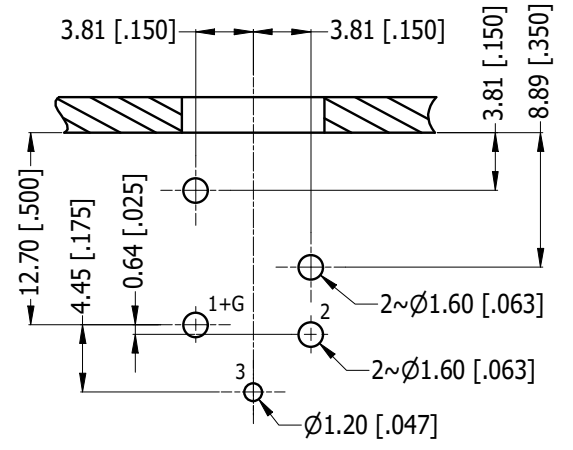
**ISO VIEW**  
(SCALE 1:1)



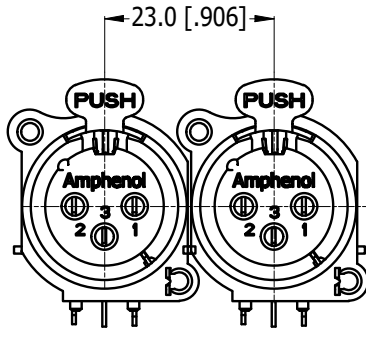
**SCHEMATIC CHART**



**PANEL CUT OUT**  
REAR VIEW



**PCB-LAYOUT**  
COMPONENT SIDE  
TOLERANCE:  $\pm 0.05\text{mm}$  [.002"]



**MIN MOUNTING PITCH**  
SCALE 1:1

UNLESS OTHERWISE SPECIFIED TOLERANCE TO BE		THIS DOCUMENT IS THE PROPERTY OF AMPHENOL AUSTRALIA PTY. LTD. NO PART THEREOF MAY BE REPRODUCED AND USED WITHOUT THE PRIOR WRITTEN CONSENT OF THE OWNER				<b>Amphenol</b> Amphenol Australia Pty.Ltd, 22 Industry Blvd, Carrum Downs, VIC 3201	
LINEAR	ANGULAR	MATERIAL:	DRN:	DATE:	TITLE:	PART No:	
X ±0.5	X' ±1	<b>REFER TO COMPONENT</b>	MH	20/08/14	<b>AC3FAH1-AU-PRE</b>	<b>AC3FAH1-AU-PRE</b>	
X.X ±0.2	X.X' ±.30'	BREAK ALL SHARP EDGES AND REMOVE ALL BURRS	CKD:	DATE:	<b>HORIZONTAL FEMALE</b>	DRAWING NO. <b>55011028-000-2</b>	
X.XX ±0.1	X.XX' ±.15'	DO NOT SCALE	APP'D:	DATE:	<b>CUSTOMER DRAWING</b>	SHEET <b>2/2</b>	
DIMENSIONS IN MILLIMETRES		THIRD ANGLE PROJECTION	SCALE:	SIZE:	CAD FILE: 55011028000221		
			<b>2:1</b>	<b>A3</b>			