

4

3

2

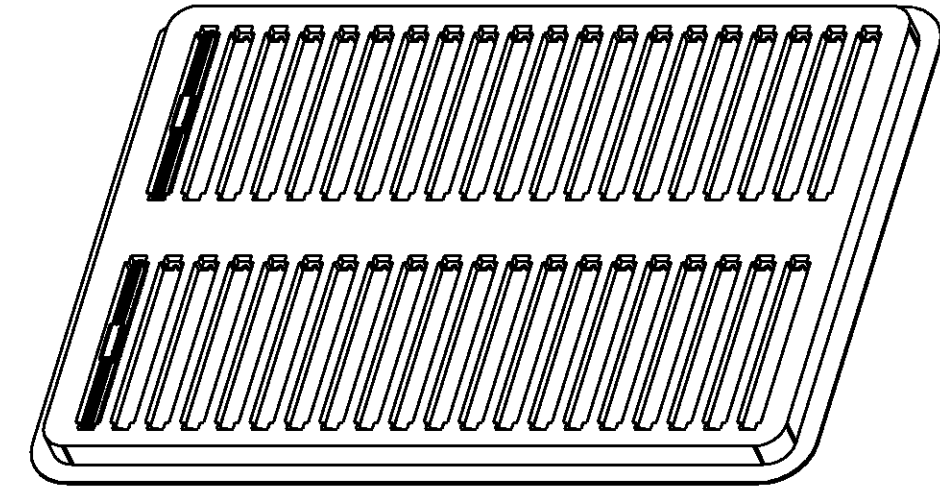
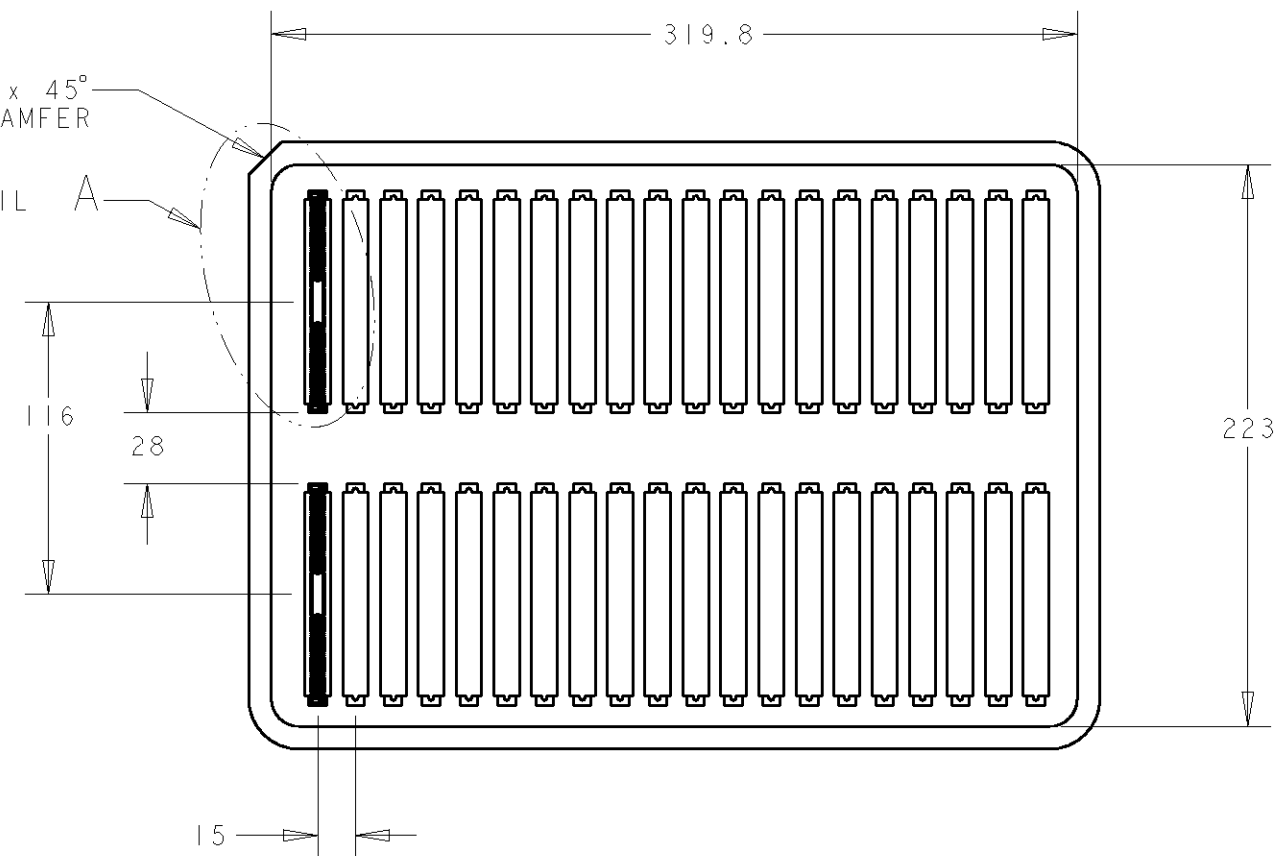
1

THIS DRAWING IS UNPUBLISHED. RELEASED FOR PUBLICATION .19 .  
 © COPYRIGHT 19 BY AMP INCORPORATED. ALL RIGHTS RESERVED.

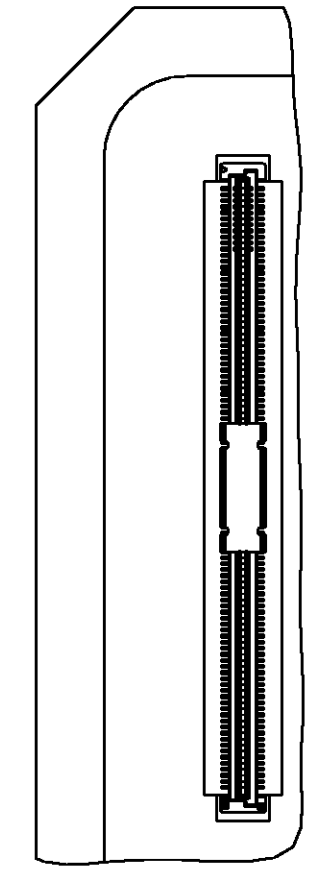
LOC	DIST	REVISIONS				
P	LTR	DESCRIPTION	DATE	DWN	APVD	
DY	-	0 NPR FP00-0274-04	9NOV04	LWY	VT	

013.0 x 13.0 x 45°  
CHAMFER

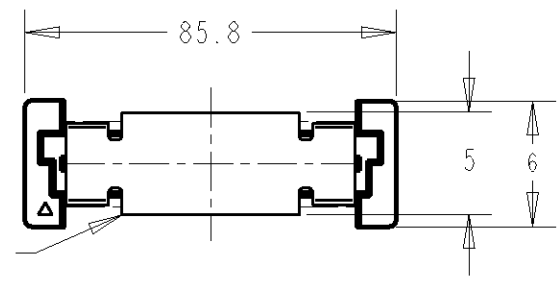
SEE DETAIL A



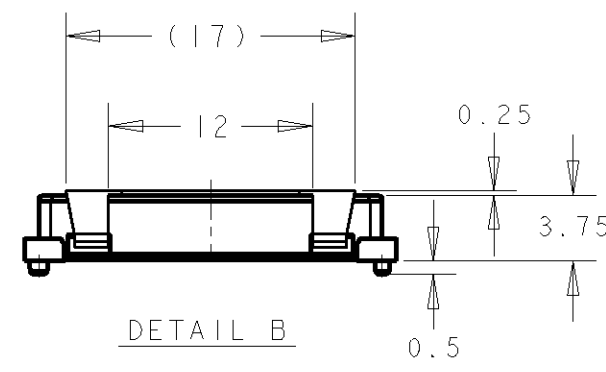
SCALE 1:3



DETAIL A  
SCALE 1:1



STEEL COVER



DETAIL B

40	5H	1-5177983-0	200	1-6489906-0
QTY/TRAY	HEIGHT TYPE	CONN P/N	POS.	PART NO.

THIS DRAWING IS A CONTROLLED DOCUMENT FOR AMP INCORPORATED. IT IS SUBJECT TO CHANGE AND THE CONTROLLING ENGINEERING ORGANIZATION SHOULD BE CONTACTED FOR THE LATEST REVISION.		DWN WYLEE	9NOV04	<b>tyco</b> Tyco Electronics <b>Electronics</b> Mfg Singapore Pte. Ltd.	
DIMENSIONS: mm		CHK VINCENT TAN	APVD ERIC TNG	NAME REC A'SSY WITH STEEL COVER (TRAY PACK) FH 0.8mm PITCH B-T-B CONNECTOR 5H TYPE	
TOLERANCES UNLESS OTHERWISE SPECIFIED: 0 PLC ±- 1 PLC ±0.20 2 PLC ±0.25 3 PLC ±0.30 4 PLC ±- ANGLES ±3°		PRODUCT SPEC -	APPLICATION SPEC -	SIZE A3	CAGE CODE 00779
MATERIAL -	FINISH -	WEIGHT -	DRAWING NO 6489906		
CUSTOMER DRAWING			SCALE -	SHEET 1	OF 1
			REV 0		