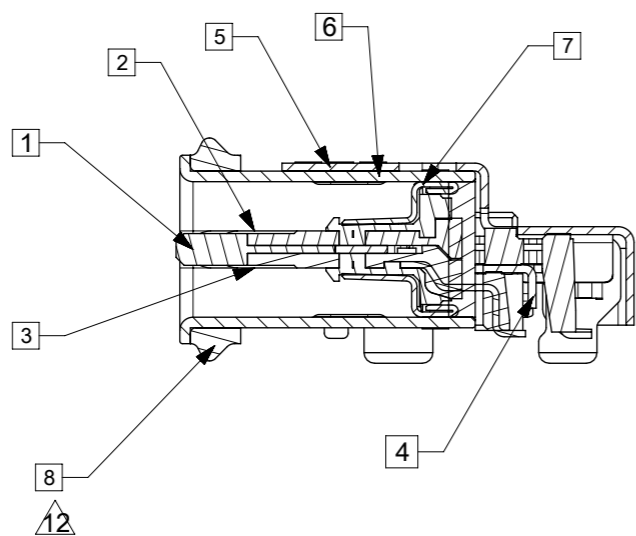
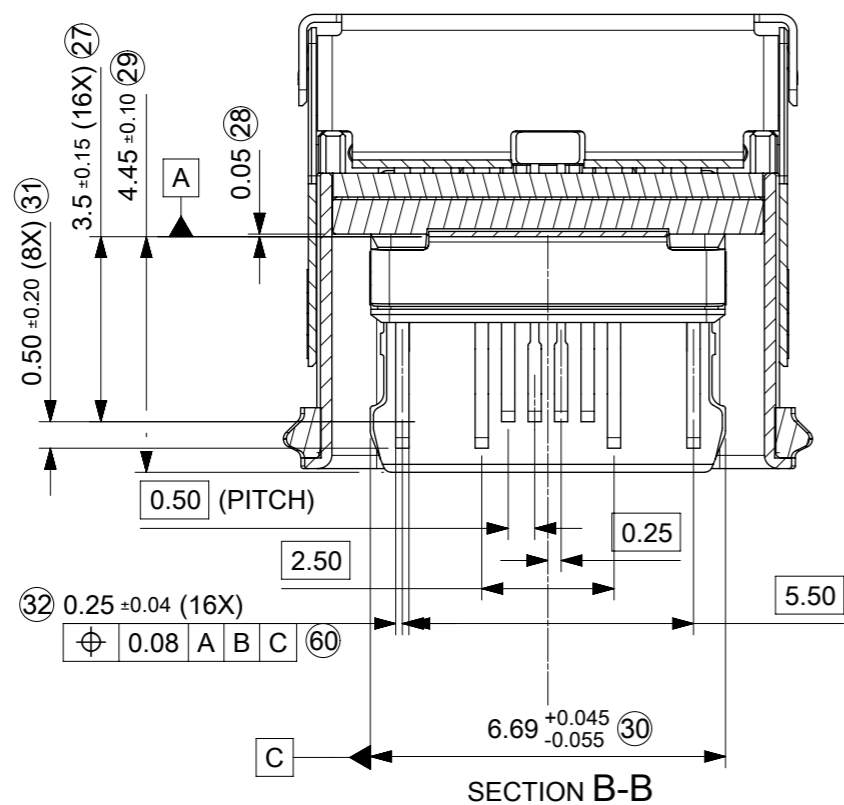


THIS DRAWING CONTAINS INFORMATION THAT IS PROPRIETARY TO MOLEX ELECTRONIC TECHNOLOGIES, LLC AND SHOULD NOT BE USED WITHOUT WRITTEN PERMISSION		CURRENT REV DESC: RELEASED.		molex	
DIMENSION UNITS	SCALE				
mm	7:1			PRODUCT CUSTOMER DRAWING	
GENERAL TOLERANCES (UNLESS SPECIFIED)				DOCUMENT NUMBER	
ANGULAR TOL ± 3.0°				2036150003	
4 PLACES ±		EC NO: 702643		DOC TYPE	
3 PLACES ±		DRWN: FYANG05 2022/04/08		PSD	
2 PLACES ± 0.2		CHK'D: RLI09 2022/04/14		DOC PART	
1 PLACE ± 0.2		APPR: RLI09 2022/04/14		000	
0 PLACES ±		INITIAL REVISION:		REVISION	
DRAFT WHERE APPLICABLE MUST REMAIN WITHIN DIMENSIONS		DRWN: FYANG05 2021/01/29		A	
THIRD ANGLE PROJECTION		APPR: RLI09 2022/04/14			
DRAWING		SERIES		SHEET NUMBER	
A3-SIZE		203615		1 OF 4	
MATERIAL NUMBER		CUSTOMER			
2036150003		GENERAL MARKETING			



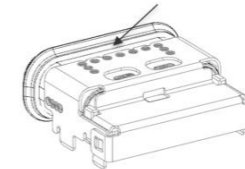
SECTION A-A

NOTES:

1. MATERIAL (DETAIL REFER TO SHART):
HOUSING: NYLON WITH GLASS FILLED, BLACK, UL94V-0.
TERMINALS: COPPER ALLOY.
SHELL: STAINLESS STEEL.
LIM (SEALING RING): SILICA RUBBER.
2. PLATING:
TERMINAL:
CONTACT AREA: 0.76 MICROMETER MIN. GOLD PLATING
UNDER PLATING: 2 MICROMETER MIN. NICKEL PLATING OVERALL
SHELL: 1 MICROMETER MIN. SOLDERABLE NICKEL PLATING OVERALL.
3. PRODUCT SPEC REFER TO 2036150002PS000.
4. PACKAGE SPEC REFER TO 2036150003PDDPK0.
5. COPLANARITY OF SMT PINS SOLDER TAIL IS 0.10MM MAX.
AND RECOMMEND THE STENCIAL THICKNESS IS 0.10MM MIM.
6. T/H SOLDER TAIL POSITION CAN BE CONTROLLED BY GAUGE.
7. DESIGN FOR WATERPROOF WITH IPX8 (WATER SLOT WITH 1.5MM & 30MINUTES)
8. LASER WELDING POINTS MAY BE DISCLOSED.
THE QUANTITY OF POINT IS FOR REFFERENCE IN LASER WELDING ZONE.
9. METAL EXPOSED AREA COULD BE SLIGHTLY CHANGED BASED ON
MANUFACTURE PROCESS CONDITION ON EACH LOT.
HOWEVER, THIS WOULD NOT AFFECT CONNECTOR FUNCTION.
10. PIN ASSIGNMENT COMPLIANCE TO USB TYPE C STANDARD.
AND THE MATING DIMENSIONS CONSIST OF
"Universal Serial Bus Type-C cable and Connector Specification."
11. DATE CODE: XX XX XX XX XX
YEAR MONTH DATE HOUR MINUTE
12. LIM MAY HAS A SMALL DIFFERENT APPEARANCE FROM DIFFERENT SUPPLIERS.
BUT IT DOES NOT AFFECT PRODUCT FUNCTION.

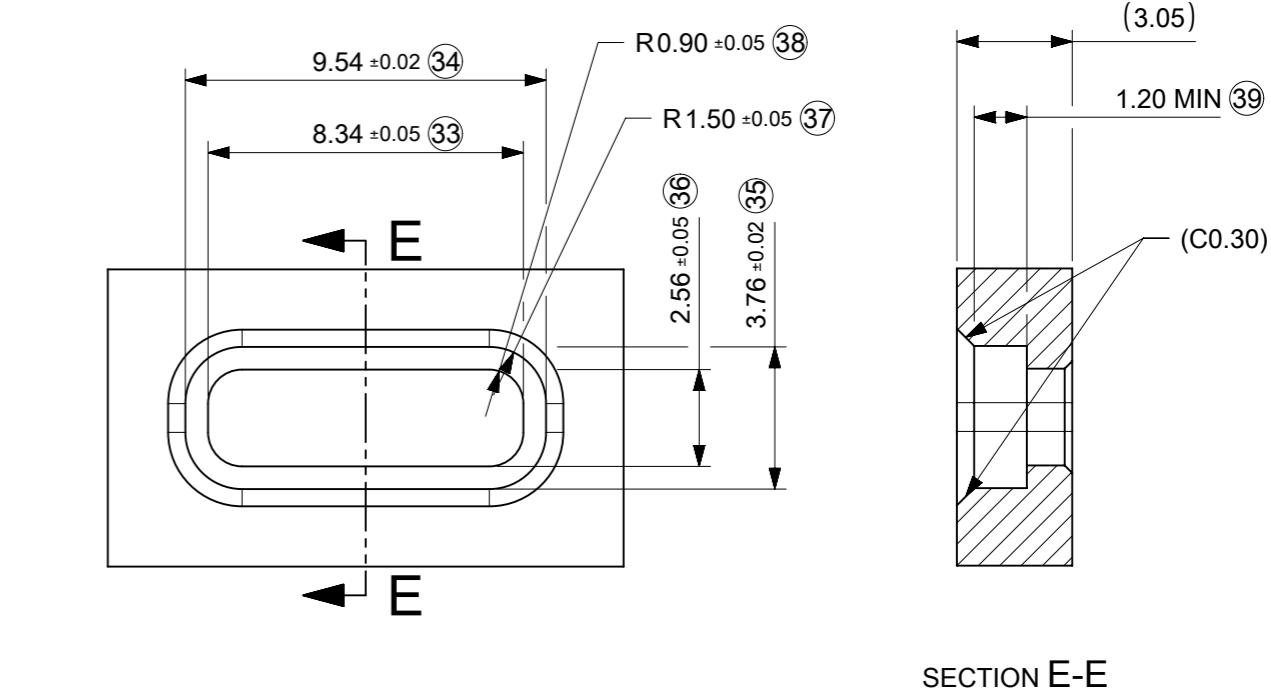
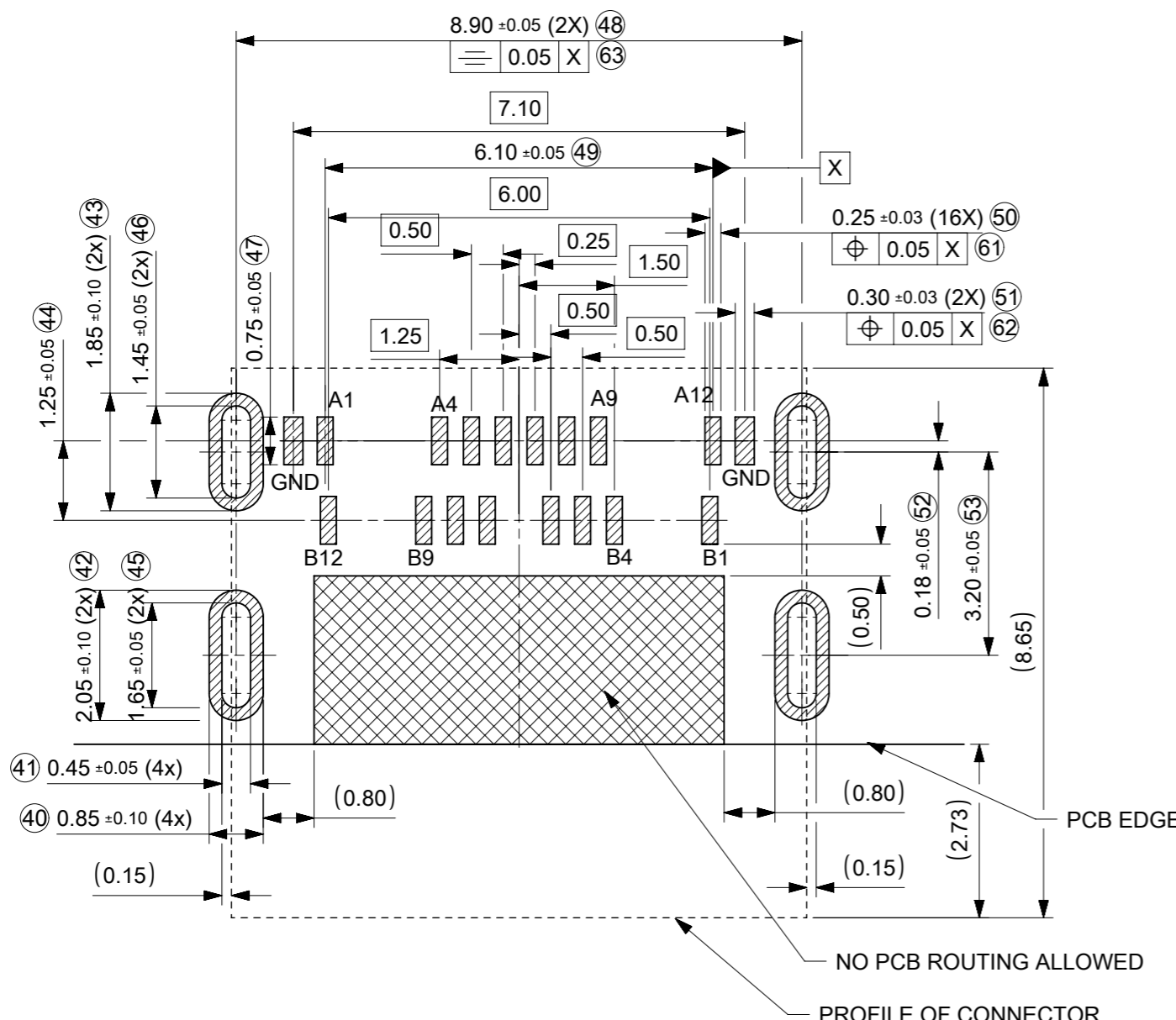
LIM without small slot

LIM with Small slot around



8	LIM (SEALING RING)	1	SILICA RUBBER	BLACK
7	INNER SHELL	2	STAINLESS STEEL	NICKEL PLATING OR CLEANING
6	MAIN SHELL	1	STAINLESS STEEL	NICKEL PLATING OR CLEANING
5	OUT SHELL	1	STAINLESS STEEL	SOLDERABLE NICKEL PLATING
4	MID BLADE	1	STAINLESS STEEL	SOLDER TAIL: GOLD FLASH OVER NICKEL PLATING
3	BOTTOM TERMINAL	8	COOPER ALLOY	CONTACT AREA: 30U' GOLD PLATING SOLDER TAIL: GOLD FLASH OVER NICKEL
2	TOP TERMINAL	8	COPPER ALLOY	CONTACT AREA: 30U' GOLD PLATING SOLDER TAIL: GOLD FLASH OVER NICKEL PLATING
1	HOUSING	1	HIGH TEMPERATURE PLASTIC	BALCK
ITEM	DESCRIPTION	1'TY	METAERIAL	REMARK

THIS DRAWING CONTAINS INFORMATION THAT IS PROPRIETARY TO MOLEX ELECTRONIC TECHNOLOGIES, LLC AND SHOULD NOT BE USED WITHOUT WRITTEN PERMISSION									
DIMENSION UNITS	SCALE	CURRENT REV DESC: RELEASED.							
mm	1:1								
GENERAL TOLERANCES (UNLESS SPECIFIED)		EC NO: 702643			PRODUCT CUSTOMER DRAWING				
ANGULAR TOL ± 3.0°		DRWN: FYANG05 2022/04/08							
4 PLACES ±		CHK'D: RLI09 2022/04/14			DOCUMENT NUMBER: 2036150003 DOC TYPE: PSD DOC PART: 000 REVISION: A				
3 PLACES ±		APPR: RLI09 2022/04/14							
2 PLACES ± 0.2		INITIAL REVISION:			MATERIAL NUMBER: 2036150003 CUSTOMER: GENERAL MARKETING SHEET NUMBER: 2 OF 4				
1 PLACE ± 0.2		DRWN: FYANG05 2021/01/29							
0 PLACES ±		APPR: RLI09 2022/04/14							
DRAFT WHERE APPLICABLE MUST REMAIN WITHIN DIMENSIONS		THIRD ANGLE PROJECTION	DRAWING	SERIES					
			A3-SIZE	203615					



RECOMMENDED HOLE FOR PANEL CASE

RECOMMENDED PCB LAYOUT (RECOMMEND THICKNESS:0.80MM)

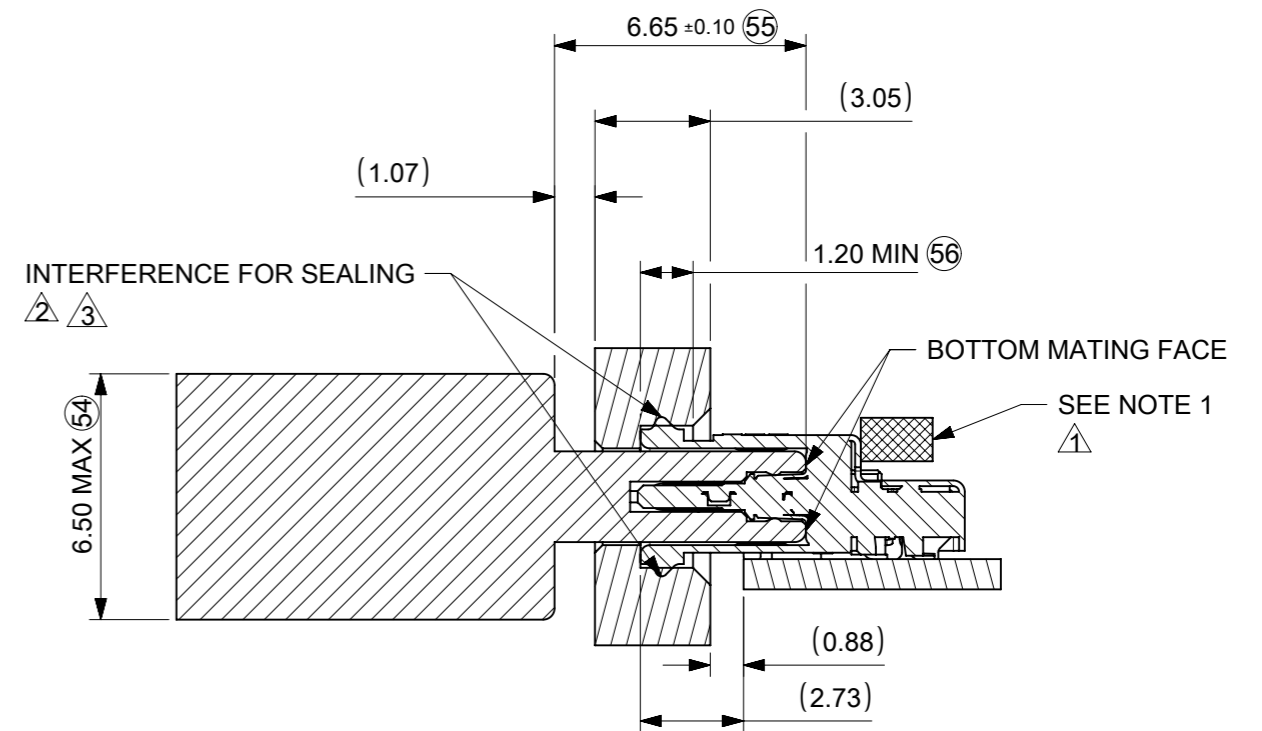
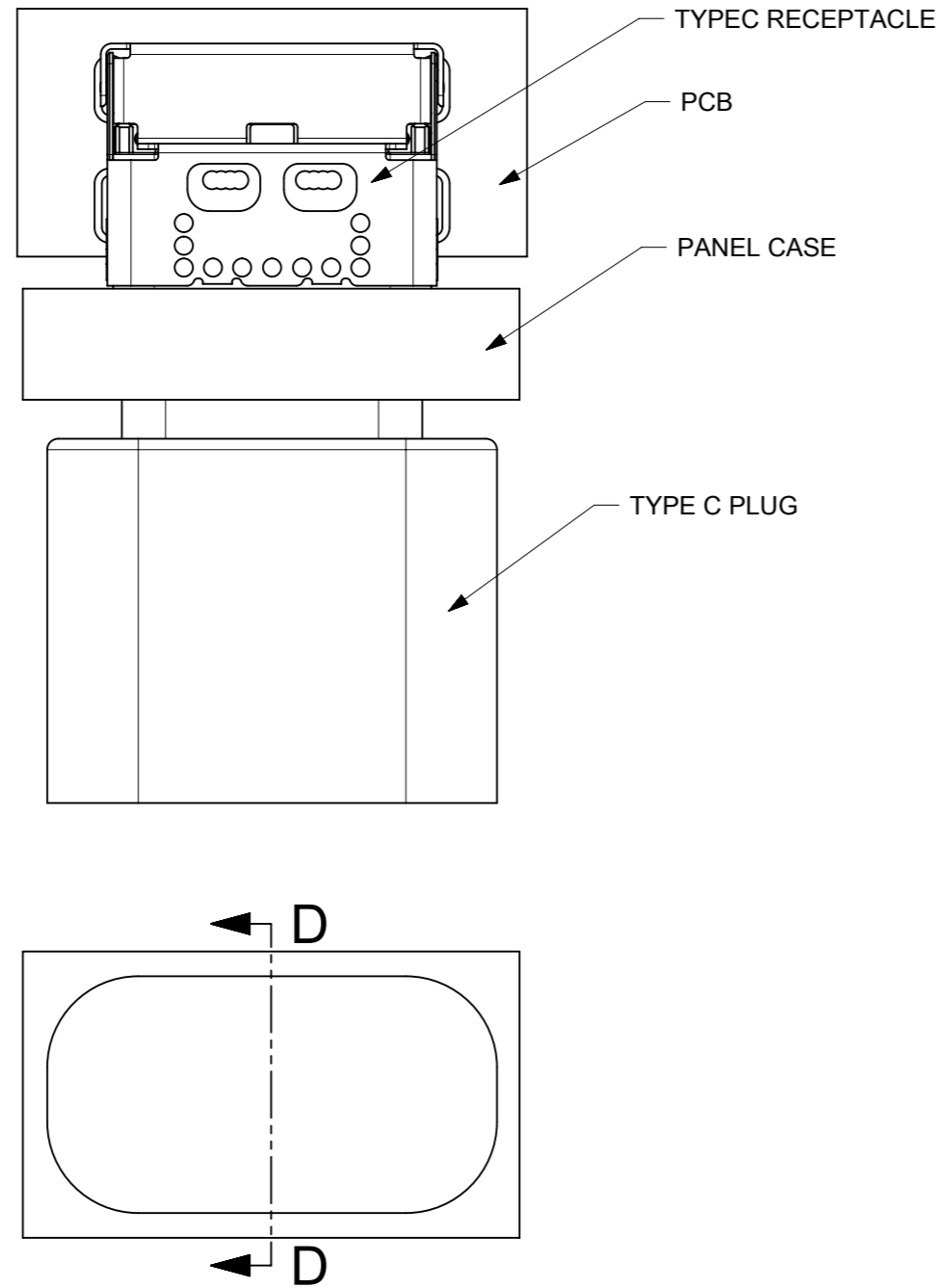
PIN ASSIGNMENT REFER TO TYPE C STANDARD

PIN ASSIGNMENT							
A1	A4	A5	A6	A7	A8	A9	A12
GND	VBUS	CC1	D+	D-	SBU1	VBUS	GND
GND	VBUS	SBU2	D-	D+	CC2	VBUS	GND
B12	B9	B8	B7	B6	B5	B4	B1

THIS DRAWING CONTAINS INFORMATION THAT IS PROPRIETARY TO MOLEX ELECTRONIC TECHNOLOGIES, LLC AND SHOULD NOT BE USED WITHOUT WRITTEN PERMISSION

DIMENSION UNITS mm	SCALE 1:1	CURRENT REV DESC: RELEASED.		molex				
GENERAL TOLERANCES (UNLESS SPECIFIED)		EC NO: 702643						16PIN TYPE C RECEPTACLE, TOP MOUNT IPX8
ANGULAR TOL ± 3.0°	4 PLACES ±	DRWN: FYANG05	2022/04/08	PRODUCT CUSTOMER DRAWING				
3 PLACES ±	2 PLACES ± 0.2	CHK'D: RLI09	2022/04/14	DOCUMENT NUMBER				
1 PLACE ± 0.2	0 PLACES ±	APPR: RLI09	2022/04/14	2036150003		DOC TYPE	DOC PART	REVISION
DRAFT WHERE APPLICABLE MUST REMAIN WITHIN DIMENSIONS	THIRD ANGLE PROJECTION	DRAWING	SERIES	MATERIAL NUMBER	CUSTOMER	SHEET NUMBER		
		A3-SIZE	203615	2036150003	GENERAL MARKETING	3 OF 4		

RELATIVE POSITION REFER TO APPLICATION



SECTION D-D

NOTE IN THIS SHEET :

- 1. TO PREVENT CONNECTOR DAMAGE IN WORST CASE SCENARIO (EX. SHOCK TEST OR USB PLUG IN OVER FORCE), RECOMMEND TO HAVE BACK SUPPORT/HARD STOPPER DESIGN.
- 2. THERE IS A POSSIBILITY OF BURR OR PELLICLE OCCUR AT LIM PART. BUT IT HAS NO IMPACT FOR PRODCUTION, ASSEMBLY AND WATERPROOF ABILITY.
- 3. INTERFERENCE REGION OF SEALING RING SHALL BE KEPT IN SLOT OF 1.20MM MIN.

THIS DRAWING CONTAINS INFORMATION THAT IS PROPRIETARY TO MOLEX ELECTRONIC TECHNOLOGIES, LLC AND SHOULD NOT BE USED WITHOUT WRITTEN PERMISSION									
DIMENSION UNITS		SCALE		CURRENT REV DESC: RELEASED.				molex	
mm		1:1							
GENERAL TOLERANCES (UNLESS SPECIFIED)									
ANGULAR TOL ± 3.0 °									
4 PLACES		±		EC NO: 702643		2022/04/08		16PIN TYPE C RECEPTACLE, TOP MOUNT IPX8	
3 PLACES		±		DRWN: FYANG05		2022/04/14			
2 PLACES		± 0.2		CHK'D: RLI09		2022/04/14			
1 PLACE		± 0.2		APPR: RLI09		2022/04/14		PRODUCT CUSTOMER DRAWING	
0 PLACES		±		INITIAL REVISION:		DOCUMENT NUMBER		DOC TYPE DOC PART REVISION	
				DRWN: FYANG05		2021/01/29		2036150003	
				APPR: RLI09		2022/04/14		PSD 000 A	
DRAFT WHERE APPLICABLE MUST REMAIN WITHIN DIMENSIONS			THIRD ANGLE PROJECTION		DRAWING		SERIES		MATERIAL NUMBER
					A3-SIZE		203615		2036150003
					CUSTOMER		GENERAL MARKETING		SHEET NUMBER
									4 OF 4