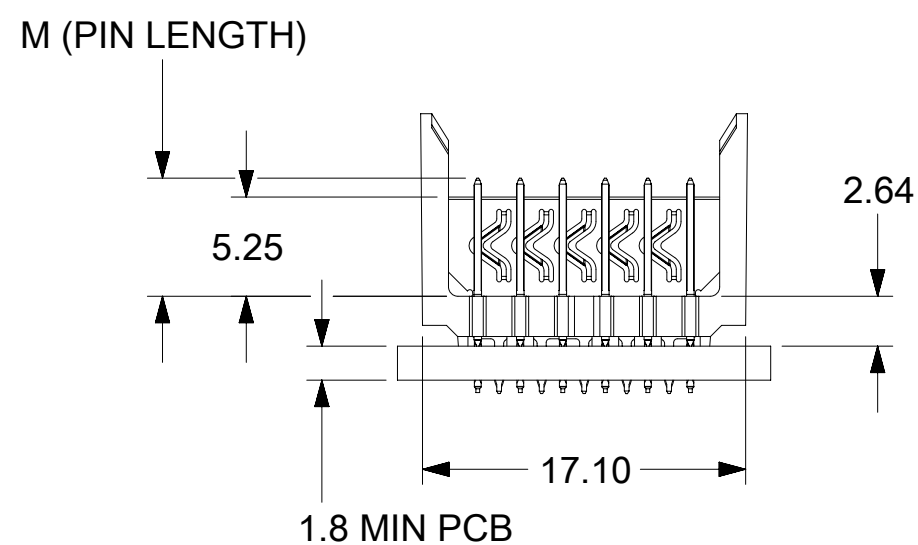
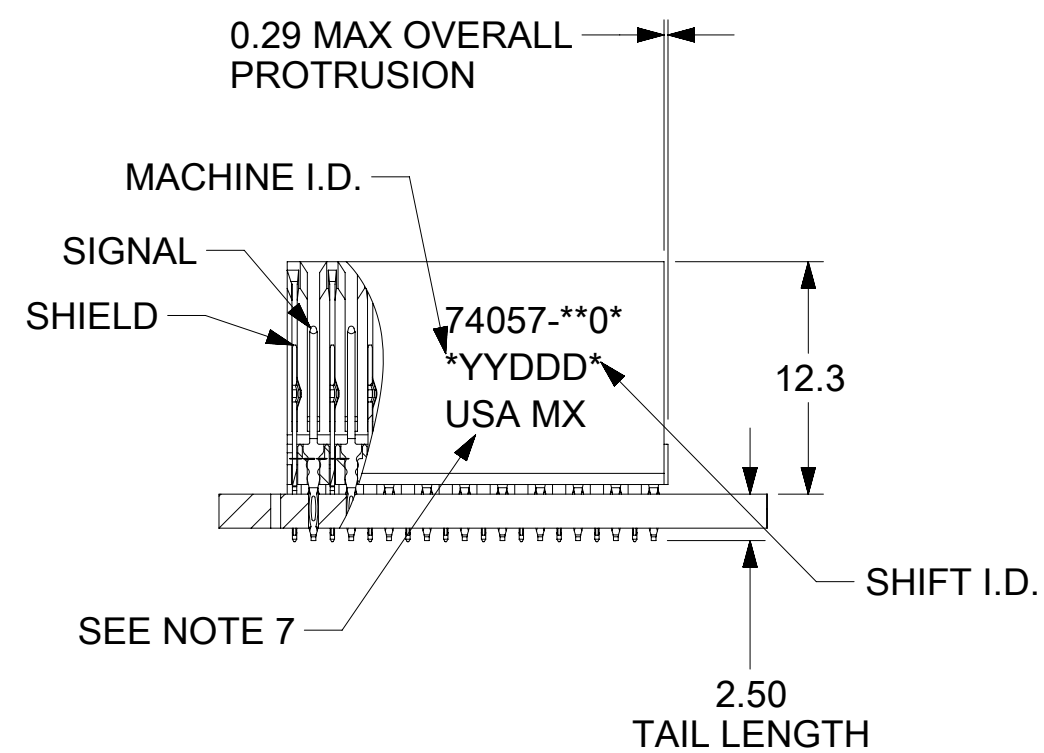
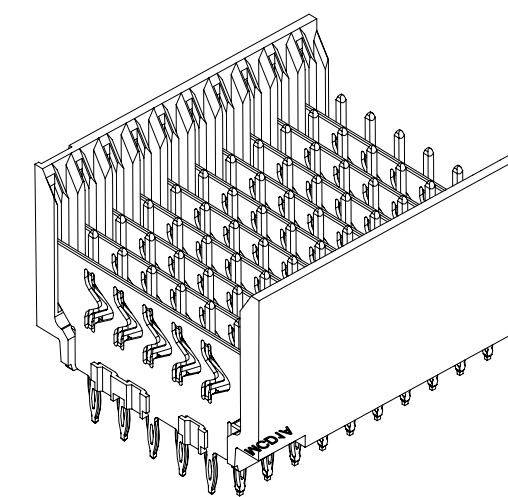


**BLACK PLANE HOLE PATTERN
RECOMMENDED DIMENSIONS**



NOTES:

1. MATERIALS:
HOUSING - LIQUID CRYSTAL POLYMER (LCP),
GLASS-FILLED, UL 94V-0, COLOR: BLACK
SIGNAL PIN & SHIELD - COPPER ALLOY
2. FINISHES:
CONTACT AREA: SELECTIVE GOLD (Au)
PCB TAILS: SELECTIVE MATTE TIN (Sn)
NICKEL (Ni) OVERALL.
3. THIS PART CONFORMS TO MOLEX PRODUCT SPECIFICATION PS-74031-999
4. FOR MIXED CONTACT LENGTHS CONSULT MOLEX FOR AVAILABILITY
5. FOR SPECIFIC MATERIAL NUMBERS & MATING INFORMATION REFER TO SHEET 2
6. PACKAGE PER PK-74057-003
7. EITHER MARK PART WITH PART NUMBER & DATE CODE APPROXIMATELY WHERE SHOWN OR PLACE LABEL ON THE TUBE.
8. MAPS (MOLEX ADVANCED PLATING SYSTEM)

PENDING APPROVAL

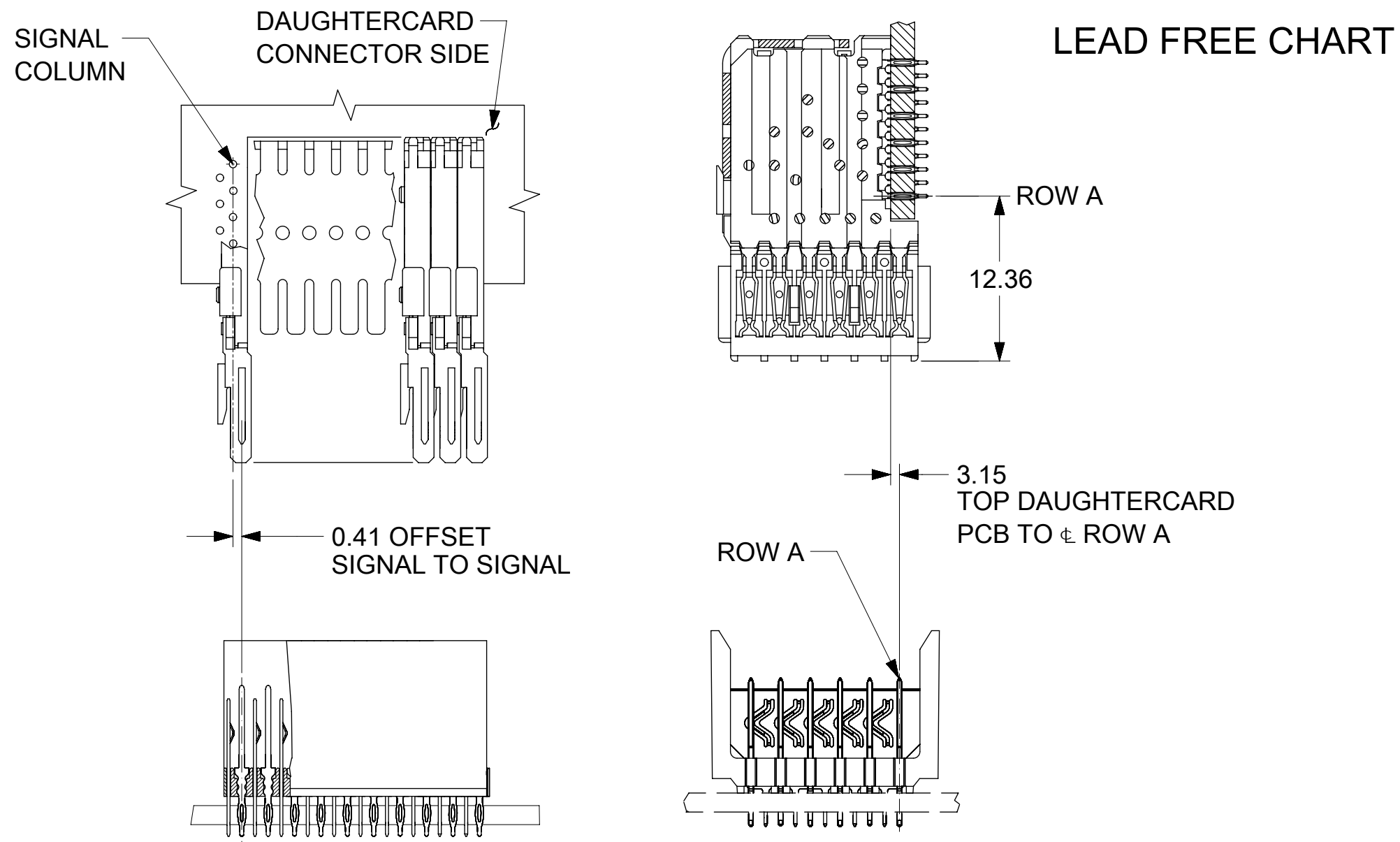
THIS DRAWING CONTAINS INFORMATION THAT IS PROPRIETARY TO MOLEX ELECTRONIC TECHNOLOGIES, LLC AND SHOULD NOT BE USED WITHOUT WRITTEN PERMISSION												
DIMENSION UNITS	SCALE		CURRENT REV DESC: SEE REVISION HISTORY ON SHEET 3									
mm	2.5:1		<div style="text-align: center; font-weight: bold; font-size: 1.2em;">molex</div> <p style="text-align: center;">VHDM 6 ROW OPEN END BACKPLANE SALES ASSEMBLY</p> <p style="text-align: center;">PRODUCT CUSTOMER DRAWING</p>									
GENERAL TOLERANCES (UNLESS SPECIFIED)												
	MM	INCH										
4 PLACES	±	±										
3 PLACES	±	±										
2 PLACES	± 0.25	±	EC NO: 719836		2022/07/14							
1 PLACE	± 0.38	±	DRWN: KRISHH1									
0 PLACES	±	±	CHK'D:		1998/11/09							
ANGULAR TOL ± 0.5 °			APPR: SMILLER									
DRAFT WHERE APPLICABLE MUST REMAIN WITHIN DIMENSIONS			THIRD ANGLE PROJECTION		DRAWING	SERIES	DOCUMENT NUMBER			DOC TYPE	DOC PART	REVISION
			C-SIZE		74057	SD-74057-002			PSD	001	N4	
					SEE TABLE	GENERAL MARKET			SHEET NUMBER 1 OF 3			

DOCUMENT STATUS	RQ	RELEASE DATE							

PART NUMBER	COLUMN	NUMBER OF SIGNAL PIN	NUMBER OF SHIELD	A	B	M	GOLD THICKNESS MICROMETER	TIN THICKNESS MICROMETER			
74057-6001	10	60	10	20.00	18.00	4.75	0.25 MAPS	0.76-1.52			
74057-9001							0.76				
74057-9006							1.27				
74057-6501	15	90	15	30.00	28.00	0.25 MAPS					
74057-9501						0.76					
74057-9506						1.27					
74057-7001	25	150	25	50.00	48.00	0.25 MAPS					
74057-8506						1.27					
74057-6002						0.25 MAPS					
74057-9002	10	60	10	20.00	18.00	0.76					
74057-9007						1.27					
74057-6502						0.25 MAPS					
74057-9502	15	90	15	30.00	28.00	0.76					
74057-9507						1.27					
74057-7002						0.25 MAPS					
74057-8502	25	150	25	50.00	48.00	0.76					
74057-8507						1.27					
74057-6003						0.25 MAPS					
74057-9003	10	60	10	50.00	48.00	0.76					
74057-9008						1.27					
74057-6503						0.25 MAPS					
74057-9503	15	90	15	30.00	28.00	0.76					
74057-9508						1.27					
74057-7003						0.25 MAPS					
74057-8508	25	150	25	50.00	48.00	1.27					
74057-9009						10	60	10	20.00	18.00	1.27
74057-6504						0.25 MAPS					
74057-9504	15	90	15	30.00	28.00	0.76					
74057-9509						1.27					
74057-8504						0.76					
74057-8509	25	150	25	50.00	48.00	1.27					

PART NUMBER	COLUMN	NUMBER OF SIGNAL PIN	NUMBER OF SHIELD	A	B	M	GOLD THICKNESS MICROMETER	TIN THICKNESS MICROMETER
74057-1006	10	60	10	20.00	18.00	4.75	1.27	0.76-1.52
74057-1501	15	90	15	30.00	28.00		0.76	
74057-1506							1.27	
74057-2506	25	150	25	50.00	48.00	1.27		
74057-1002	10	60	10	20.00	18.00	6.25	0.76	
74057-1502	15	90	15	30.00	28.00		0.76	
74057-1507						1.27		
74057-1008	10	60	10	20.00	18.00	4.25	1.27	
74057-1503	15	90	15	30.00	28.00		0.76	
74057-1508							1.27	
74057-2508	25	150	25	50.00	48.00	1.27		
74057-1004	10	60	10	20.00	18.00	5.15	0.76	
74057-1009							1.27	
74057-1504	15	90	15	30.00	28.00		0.76	
74057-1509						1.27		

LEAD FREE
(FORMERLY TIN/LEAD) CHART



74057 - * * 0 *

- NUMBER OF COLUMNS/PLATING
- 10 = 10 COLUMN MATTE TIN (FORMERLY TIN/LEAD)
 - 15 = 15 COLUMN MATTE TIN (FORMERLY TIN/LEAD)
 - 25 = 25 COLUMN MATTE TIN (FORMERLY TIN/LEAD)
 - 60 = 10 COLUMN MATTE TIN (MAPS)
 - 65 = 15 COLUMN MATTE TIN (MAPS)
 - 70 = 25 COLUMN MATTE TIN (MAPS)
 - 90 = 10 COLUMN MATTE TIN
 - 95 = 15 COLUMN MATTE TIN
 - 85 = 25 COLUMN MATTE TIN
- PIN HEIGHT
- 1 & 6 = 4.75
 - 2 & 7 = 6.25
 - 3 & 8 = 4.25
 - 4 & 9 = 5.15

PENDING APPROVAL

FUNCTIONAL SYMBOLS	THIS DRAWING CONTAINS INFORMATION THAT IS PROPRIETARY TO MOLEX ELECTRONIC TECHNOLOGIES, LLC AND SHOULD NOT BE USED WITHOUT WRITTEN PERMISSION			
	DIMENSION UNITS	SCALE		CURRENT REV DESC: SEE REVISION HISTORY ON SHEET 3
$F_A = 0$	mm	2.5:1		EC NO: 719836 DRWN: KRISHH1 CHK'D: APPR:
$F_C = 0$	GENERAL TOLERANCES (UNLESS SPECIFIED)			
$F_P = 0$		MM	INCH	2022/07/14
DIVISIONAL SYMBOLS	4 PLACES	±	±	INITIAL REVISION: DRWN: MWANG APPR: SMILLER
	3 PLACES	±	±	
	2 PLACES	± 0.25	±	
	1 PLACE	± 0.38	±	
	0 PLACES	±	±	1998/11/09 2012/05/23
	ANGULAR TOL	± 0.5°		
DRAFT WHERE APPLICABLE MUST REMAIN WITHIN DIMENSIONS		THIRD ANGLE PROJECTION		DRAWING SERIES
		C-SIZE		74057
DOCUMENT STATUS	RQ	RELEASE DATE		DOCUMENT NUMBER
				SD-74057-002
				DOC TYPE
				PSD
				DOC PART
				001
				REVISION
				N4
				MATERIAL NUMBER
				SEE TABLE
				CUSTOMER
				GENERAL MARKET
				SHEET NUMBER
				2 OF 3

H
G
F
E
D
C
B
A

DATE	REV	DESCRIPTION
2022/06/22	N3	DRAWING MIGRATED TO NEW SHEET FORMAT REMOVED OBSOLETE PART NUMBER AS PER PCN#509989
2022/07/14	N4	DRAWING MIGRATION AS MODEL IN THE DRAWING VIEW IS UPDATED

PENDING APPROVAL

FUNCTIONAL SYMBOLS	THIS DRAWING CONTAINS INFORMATION THAT IS PROPRIETARY TO MOLEX ELECTRONIC TECHNOLOGIES, LLC AND SHOULD NOT BE USED WITHOUT WRITTEN PERMISSION											
	FA = 0	DIMENSION UNITS	SCALE	CURRENT REV DESC: SEE REVISION HISTORY ON SHEET 3							molex	
FC = 0	mm	1:1	GENERAL TOLERANCES (UNLESS SPECIFIED)			EC NO: 719836				VHDM 6 ROW OPEN END BACKPLANE SALES ASSEMBLY		
FP = 0				MM	INCH	2022/07/14		PRODUCT CUSTOMER DRAWING				
DIVISIONAL SYMBOLS	4 PLACES	±	±	DRWN: KRISHH1							DOCUMENT NUMBER	
	3 PLACES	±	±	CHK'D:							DOC TYPE	
	2 PLACES	±	0.25	APPR:							DOC PART	
	1 PLACE	±	0.38	INITIAL REVISION:							REVISION	
	0 PLACES	±	±	DRWN: DRAWN BY							SD-74057-002	
				APPR: APPR BY							PSD 001 N4	
				ANGULAR TOL ± 0.5 °			THIRD ANGLE PROJECTION				MATERIAL NUMBER	
				DRAFT WHERE APPLICABLE MUST REMAIN WITHIN DIMENSIONS			DRAWING		SERIES		CUSTOMER	
							C-SIZE		74057		GENERAL MARKET	
											SHEET NUMBER	
											3 OF 3	

DOCUMENT STATUS	RQ	RELEASE DATE	
12	11	10	