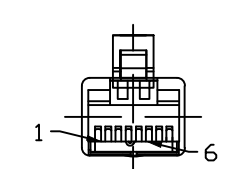
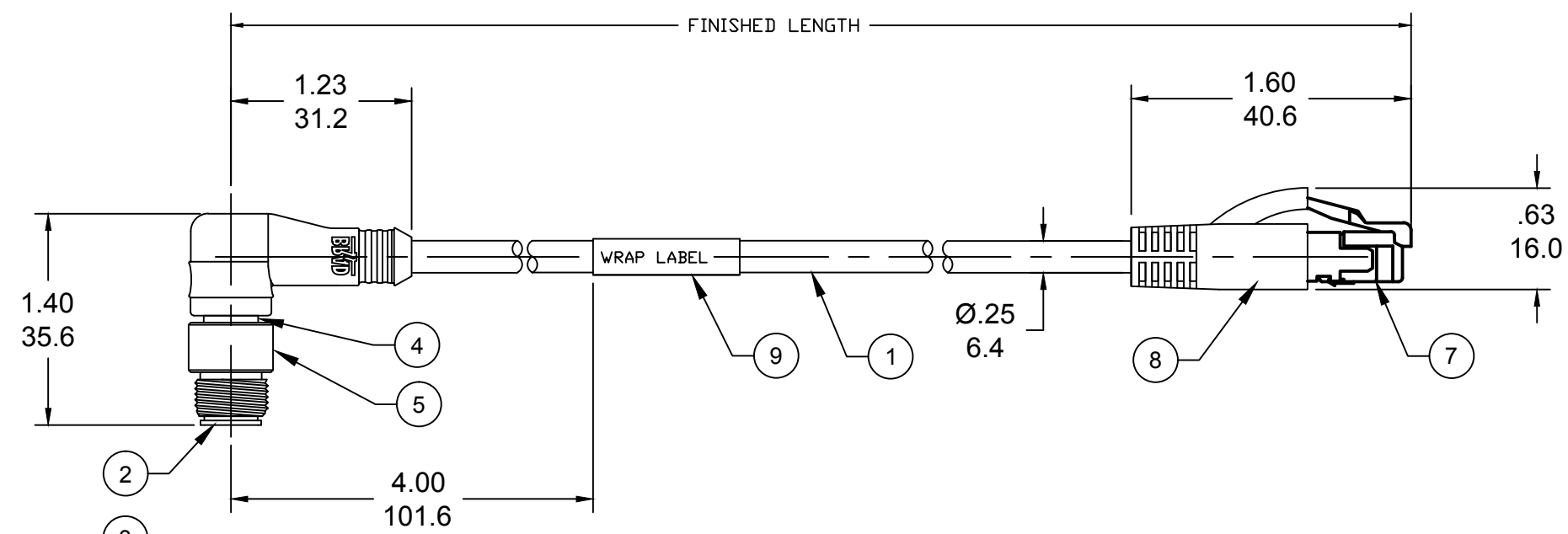


PART NO.	ENGINEERING NO.	FINISHED LENGTH
1201080604	E16A06205M010	1.0M [3'3"]

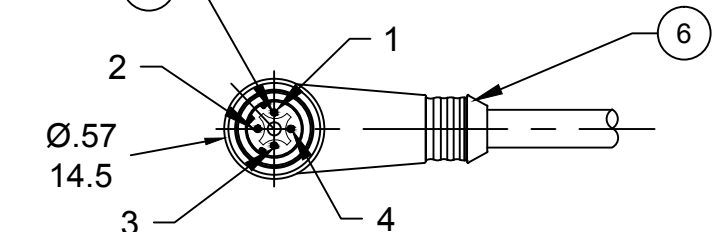
ⓑ CABLE LENGTH TOLERANCES

>.3M [1FT]:	+19mm-0 [+ .75in-0]
.3 - .9M [1 - 3FT]:	+44.5mm-0 [+1.75in-0]
.9 - 1.8M [3 - 6FT]:	+55.6mm-0 [+2.19in-0]
1.8 - 3.7M [6 - 12FT]:	+88.9mm-0 [+3.50in-0]
3.7 - 7.3M [12 - 24FT]:	+165.1mm-0 [+6.50in-0]
7.3-14.6M [24 - 48FT]:	+317.5mm-0 [+12.50in-0]
14.6 - 30.5M [48-100FT]:	+622.3mm-0 [+24.50in-0]
OVER 30M [100FT]	+2% OF FINISHED LENGTH



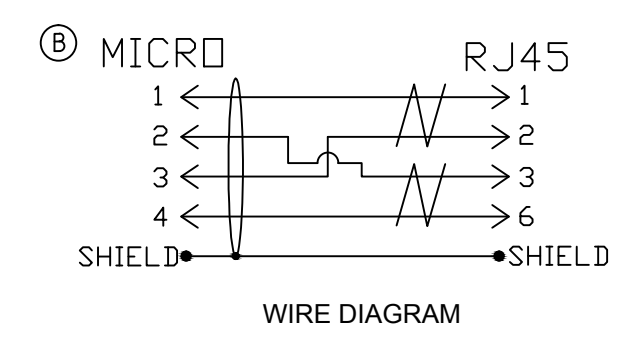
RJ-45 FACE VIEW

1-WHITE/ORANGE
2-ORANGE
3-WHITE/GREEN
6-GREEN



MALE FACE VIEW (D-CODE)

1-WHITE/ORANGE
2-WHITE/GREEN
3-ORANGE
4-GREEN



PART NUMBER LEGEND

E16A06205MXXX

LENGTH
M005 - 0.5 METER
M010-1 METER
M100-10 METERS

- ⓑ NOTES:
1. MATERIAL: AS NOTED
 2. FINISH: AS NOTED
 3. ELECTRICAL:
VOLTAGE: 125V
CURRENT: 1.5A
 4. TEMP RATING: -20° TO +75°C
 5. PROTECTION: IP67 (WHEN MATED)
 6. COUPLING THREAD: M12 X 1
 7. UL CERTIFIED FILE: E200650
 8. ALL DIMS ARE FOR REFERENCE UNLESS NOTED OTHERWISE

ⓑ

ITEM	DESCRIPTION	MATERIAL	FINISH
9	WRAP LABEL	VINYL	BLACK/YELLOW
8	RJ-45 BOOT	PVC	BLACK
7	RJ-45 PLUG	POLYCARBONATE	CLEAR
6	OVERMOLD	PBT	GRAY
5	COUPLING NUT	BRASS	NICKEL PLATED
4	SHIELD HOUSING	BRASS	NICKEL PLATED
3	CONTACT PIN	COPPER ALLOY	GOLD PLATED
2	MALE INSERT, D-CODE	PUR	BLACK
1	CABLE, 2 PAIR, 26AWG, SHLD	TPE JACKET	TEAL

REVD TO LATEST DOC STD EC NO: IPG2019-0171 DRWN: RSTONE 10/17/18 CHKD: C CHRAST 2018/10/22 APPR: BWOODMAN 2016/08/15	DESCRIPTION REV	QUALITY SYMBOLS	GENERAL TOLERANCES (UNLESS SPECIFIED) 4 PLACES ±--- ±--- 3 PLACES ±--- ±--- 2 PLACES ±--- ±--- 1 PLACE ±--- ±--- ANGULAR ±---° DRAFT WHERE APPLICABLE MUST REMAIN WITHIN DIMENSIONS	DIMENSION STYLE		SCALE	DESIGN UNITS	THIRD ANGLE PROJECTION TITLE MIC M12 TO RJ45 PLUG 4P MALE, 90 DEG 26 AWG TEAL MOLEX INCORPORATED DOCUMENT NO. SD-120108-095 SHEET NO. 1 OF 1
				IN/MM		---	INCH	
				mm	INCH			
				SEE P/N CHART				
				MATERIAL NO.		THIS DRAWING CONTAINS INFORMATION THAT IS PROPRIETARY TO MOLEX INCORPORATED AND SHOULD NOT BE USED WITHOUT WRITTEN PERMISSION		