

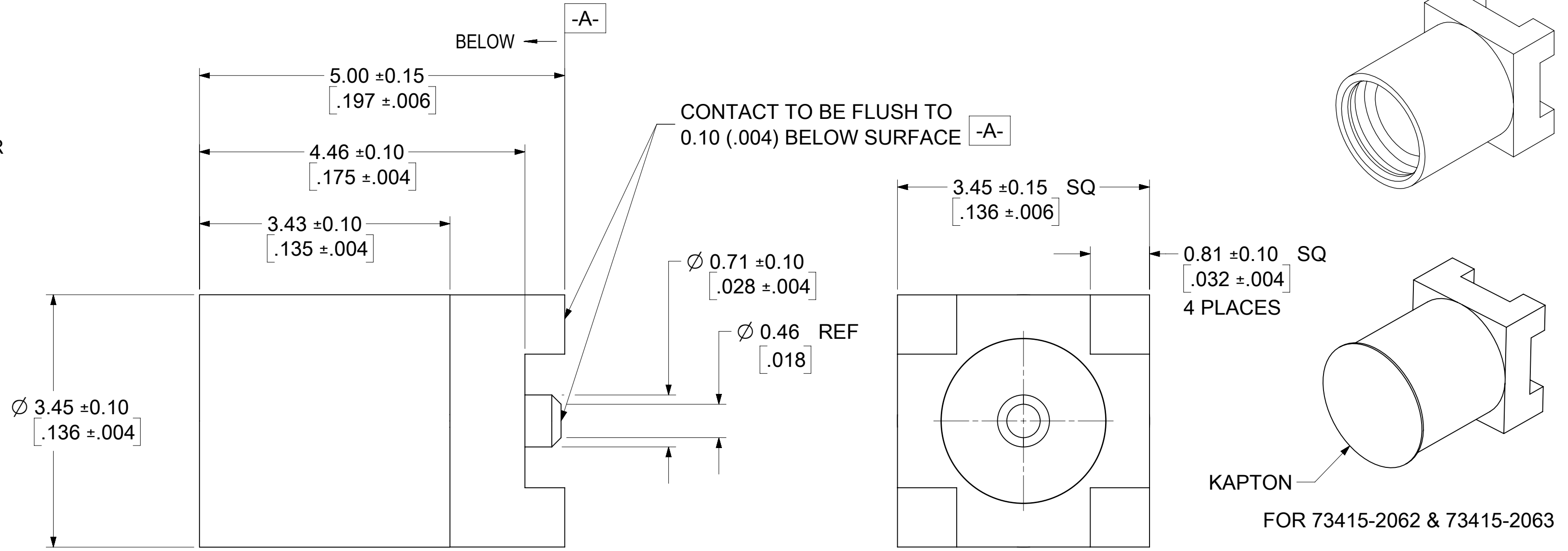
MATERIALS AND FINISHES

BODY BRASS
PLATED GOLD

CENTER CONTACT BERYLLIUM COPPER
PLATED GOLD

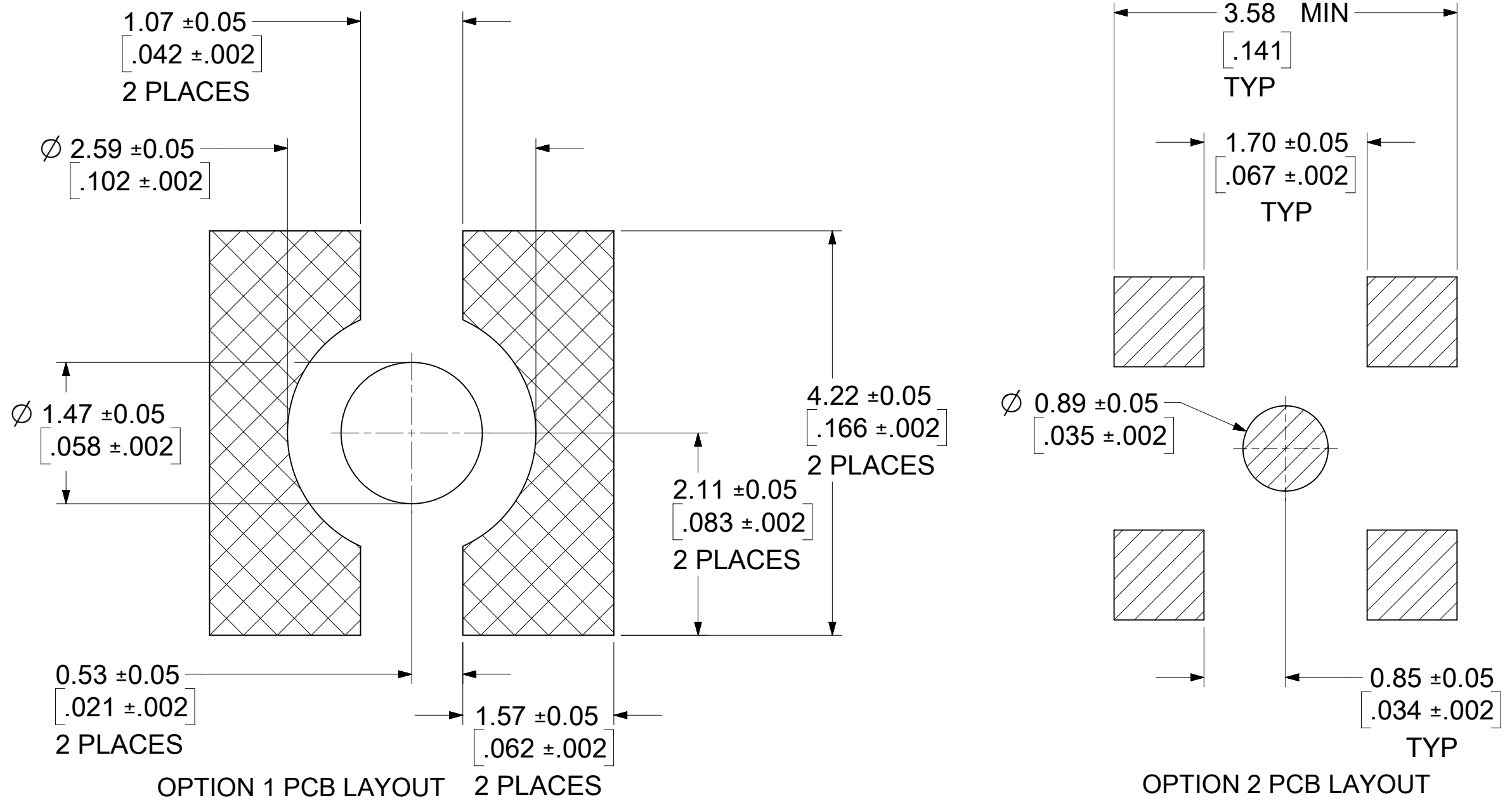
INSULATOR TEFLON

KAPTON
COLOR AMBER

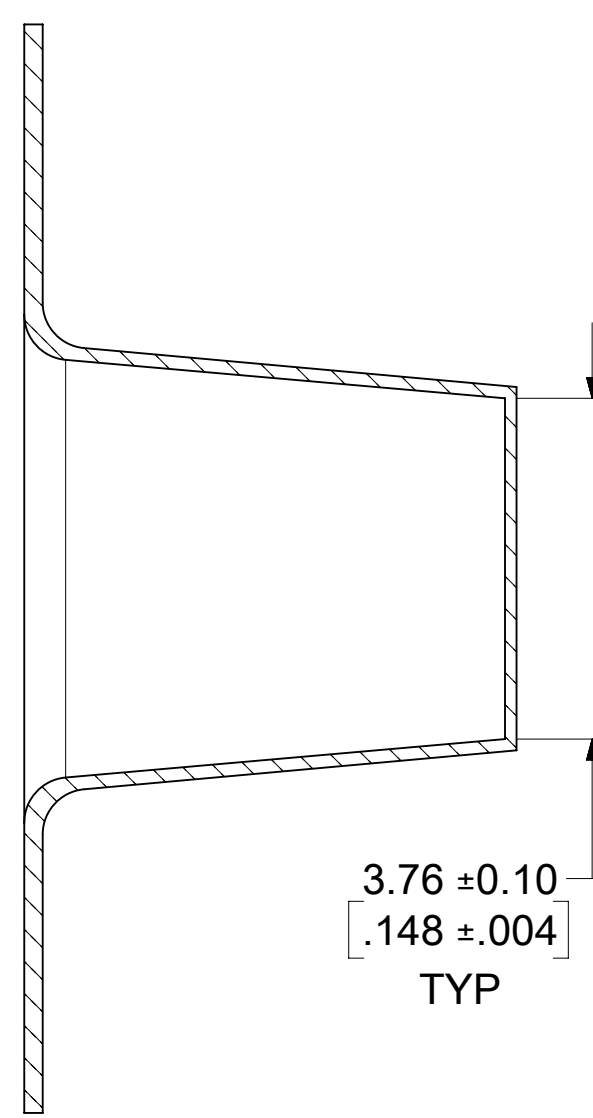
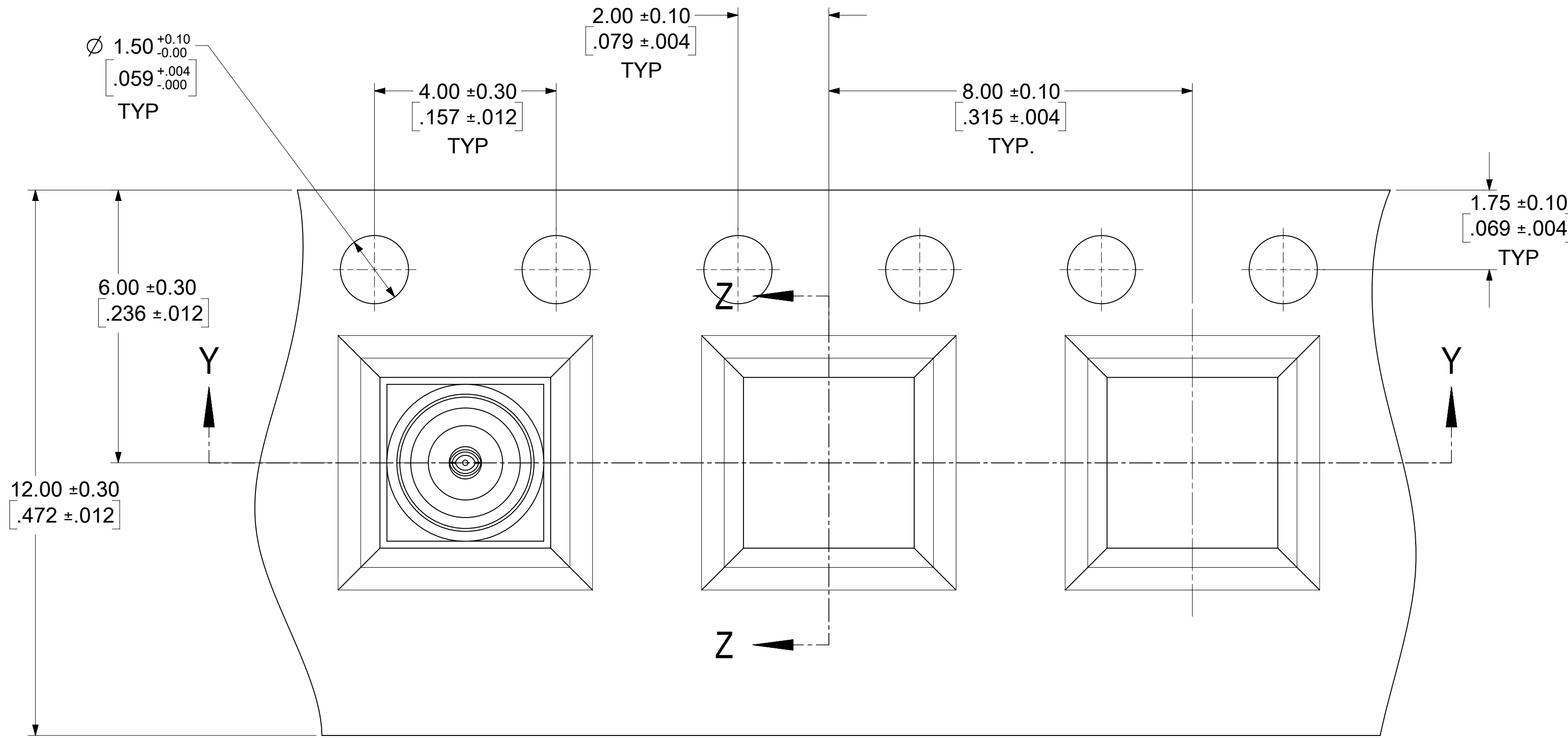


PS-89675-1920	ELECTRO/MECH PERFORM.
SPECIFICATION	DESCRIPTION

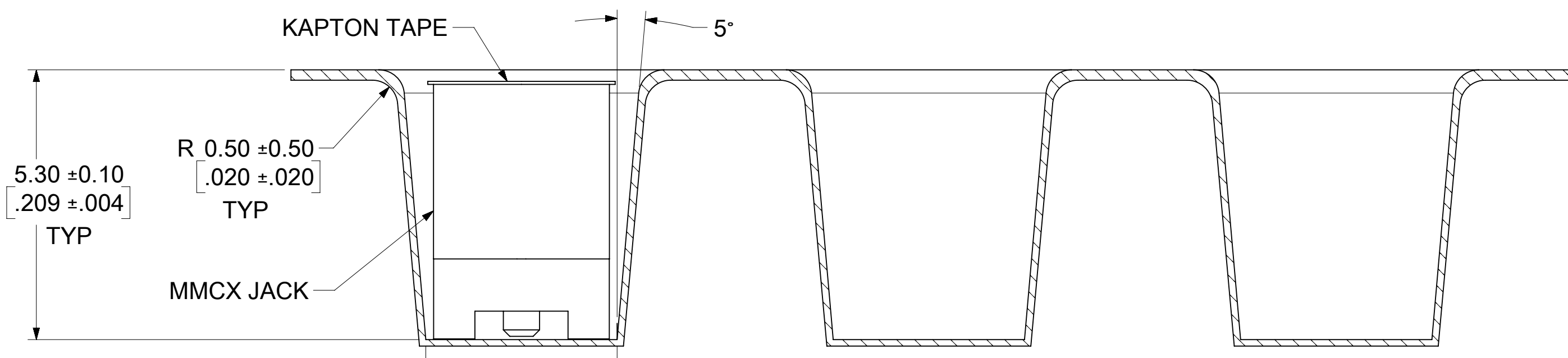
73415-2065	73415-2061 WITH TAPE & REEL WITHOUT KAPTON
73415-2064	73415-2061. ONE PER BAG
73415-2063	73415-2061 WITH TAPE & REEL/KAPTON
73415-2062	73415-2060 WITH TAPE & REEL/KAPTON
73415-2061	PER COMMERCIAL REQUIREMENTS, PACKING TRAY
73415-2060	PER MILITARY REQUIREMENTS, PACKING TRAY
PART NO.	PLATING



FUNCTIONAL SYMBOLS FA = 0 EC = 0 EP = 0 DIVISIONAL SYMBOLS 4 PLACES ± 3 PLACES ± 2 PLACES ± 1 PLACE ± 0 PLACES ±	THIS DRAWING CONTAINS INFORMATION THAT IS PROPRIETARY TO MOLEX ELECTRONIC TECHNOLOGIES, LLC AND SHOULD NOT BE USED WITHOUT WRITTEN PERMISSION		SCALE MM/INCH NTS		CURRENT REV DESC: EWR # 15708-A : ADDED PACKAGING SPEC FOR -2060 & -2061 PART NO			
	GENERAL TOLERANCES (UNLESS SPECIFIED) ANGULAR TOL ± 2.0°		EC NO: 740907 DRWN: JSU18 CHK'D: YCHENG APPR: YCHENG		2023/03/02 2023/03/16 2023/03/16			
	DRAFT WHERE APPLICABLE MUST REMAIN WITHIN DIMENSIONS		THIRD ANGLE PROJECTION		DRAWING SERIES C-SIZE 73415		PRODUCT CUSTOMER DRAWING	
	DOCUMENT NUMBER SD-73415-206		DOC TYPE PSD		DOC PART 001		REVISION B2	



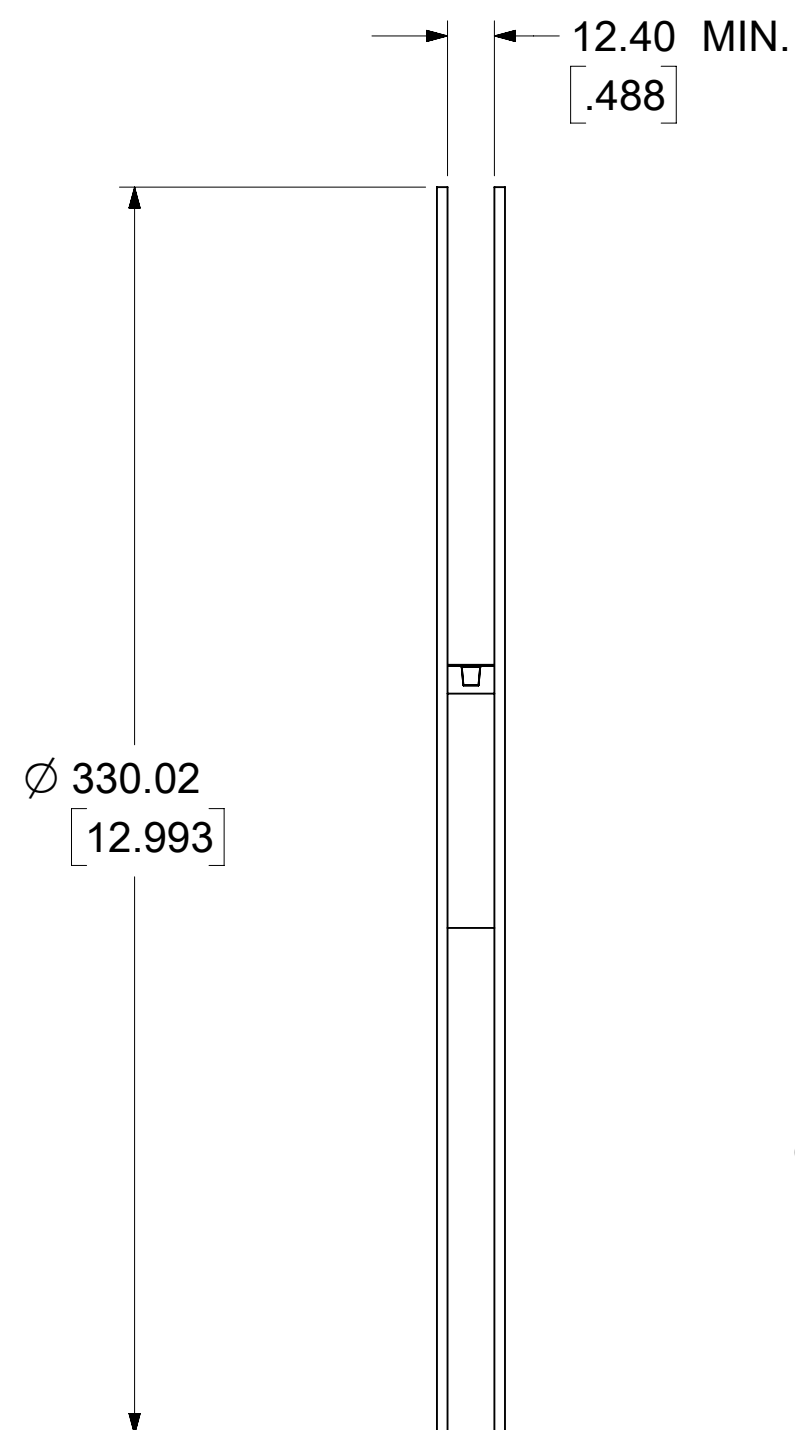
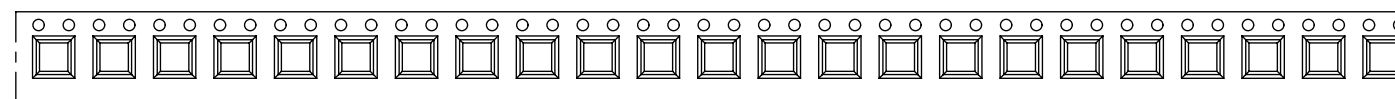
SECTION Z-Z



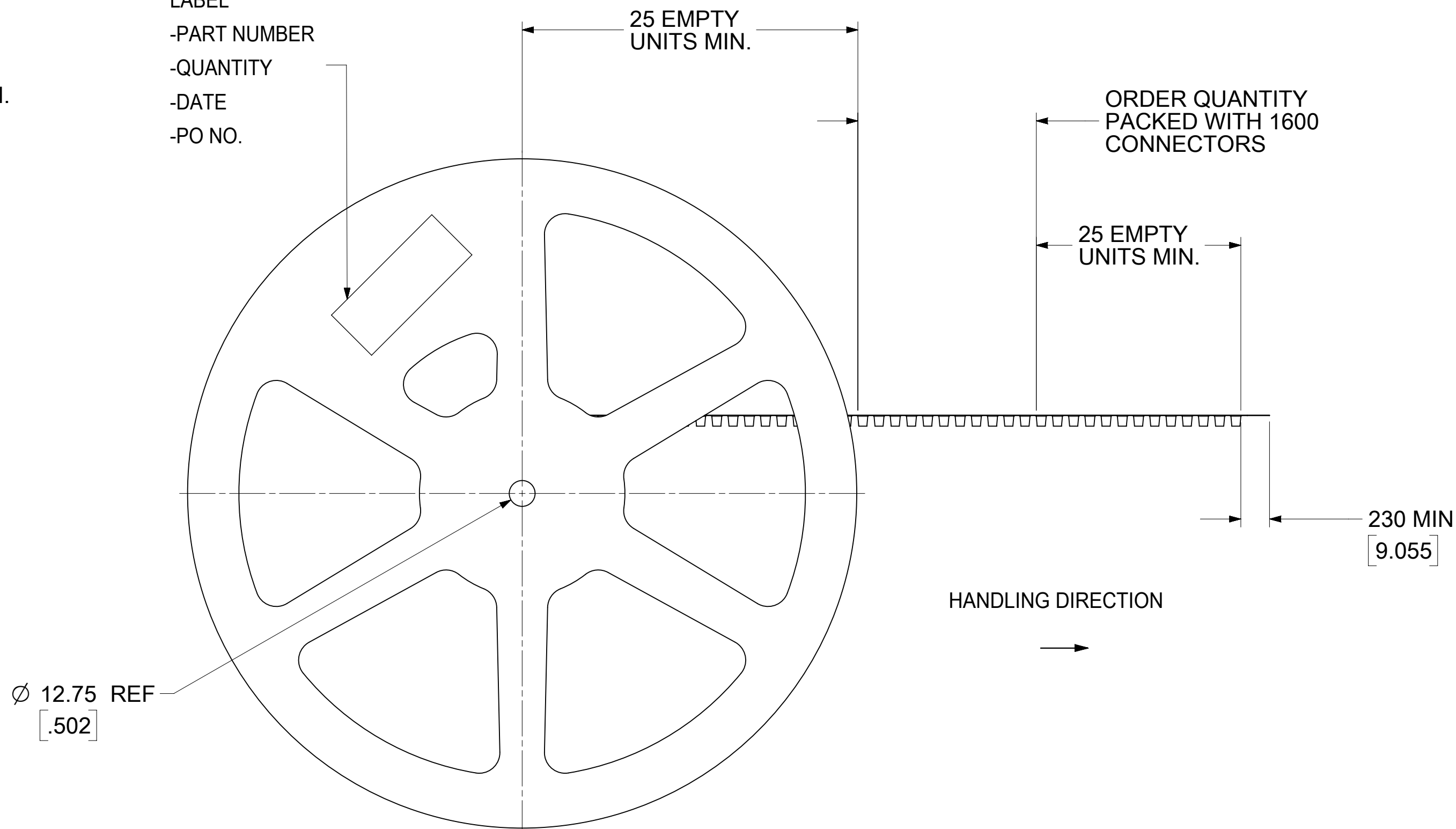
SECTION Y-Y

FUNCTIONAL SYMBOLS	THIS DRAWING CONTAINS INFORMATION THAT IS PROPRIETARY TO MOLEX ELECTRONIC TECHNOLOGIES, LLC AND SHOULD NOT BE USED WITHOUT WRITTEN PERMISSION										
	FA = 0	DIMENSION UNITS	SCALE	CURRENT REV DESC: EWR # 15708-A : ADDED PACKAGING SPEC FOR -2060 & -2061 PART NO							
FC = 0	MM/INCH	NTS	GENERAL TOLERANCES (UNLESS SPECIFIED)							MMCX JACK, VERTICAL PCB/SMT 50 OHMS MMCX-J/PCB	
FP = 0	ANGULAR TOL ± 2.0°		4 PLACES ±								
DIVISIONAL SYMBOLS			3 PLACES ±		2 PLACES ±		1 PLACE ±			0 PLACES ±	
DRAFT WHERE APPLICABLE MUST REMAIN WITHIN DIMENSIONS			THIRD ANGLE PROJECTION		DRAWING		SERIES			DOCUMENT NUMBER	
					C-SIZE		73415			SD-73415-206	
										DOC TYPE DOC PART REVISION	
										PSD 001 B2	
										MATERIAL NUMBER CUSTOMER SHEET NUMBER	
										GENERAL MARKET 2 OF 5	

NOTE:
13" REEL SIZE FOR 1600 PIECES



LABEL
-PART NUMBER
-QUANTITY
-DATE
-PO NO.



THIS DRAWING CONTAINS INFORMATION THAT IS PROPRIETARY TO MOLEX ELECTRONIC TECHNOLOGIES, LLC AND SHOULD NOT BE USED WITHOUT WRITTEN PERMISSION									
FUNCTIONAL SYMBOLS	DIMENSION UNITS	SCALE	CURRENT REV DESC: EWR # 15708-A : ADDED PACKAGING SPEC FOR -2060 & -2061 PART NO						
	$\frac{F}{A} = 0$	MM/INCH	NTS	EC NO: 740907 DRWN: JSU18 2023/03/02 CHK'D: YCHENG 2023/03/16 APPR: YCHENG 2023/03/16 INITIAL REVISION: DRWN: TFLAHERTY 2006/02/09 APPR: JWIENER 2006/02/09					
GENERAL TOLERANCES (UNLESS SPECIFIED)	ANGULAR TOL $\pm 2.0^\circ$								
	4 PLACES	\pm							
DIVISIONAL SYMBOLS	3 PLACES	\pm	PRODUCT CUSTOMER DRAWING						
	2 PLACES	\pm	DOCUMENT NUMBER		DOC TYPE	DOC PART	REVISION		
	1 PLACE	\pm	SD-73415-206		PSD	001	B2		
	0 PLACES	\pm	MATERIAL NUMBER		CUSTOMER		SHEET NUMBER		
DRAFT WHERE APPLICABLE MUST REMAIN WITHIN DIMENSIONS		THIRD ANGLE PROJECTION	DRAWING	SERIES	GENERAL MARKET		3 OF 5		
			C-SIZE	73415					

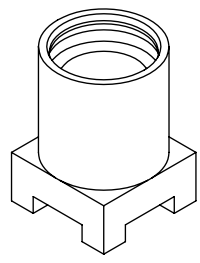
molex

MMCX JACK, VERTICAL
PCB/SMT 50 OHMS MMCX-J/PCB

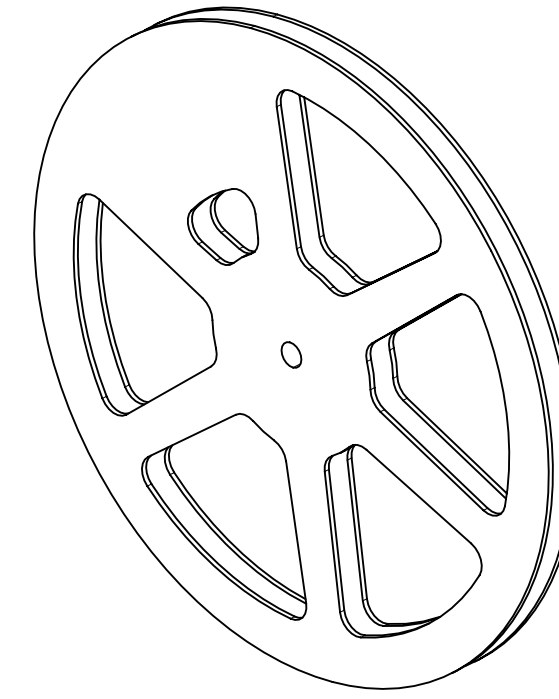
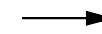
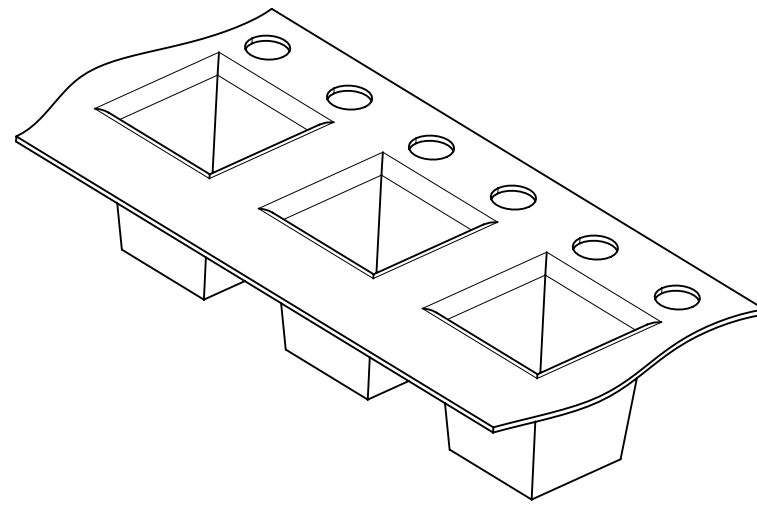
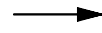
PRODUCT CUSTOMER DRAWING

SD-73415-206

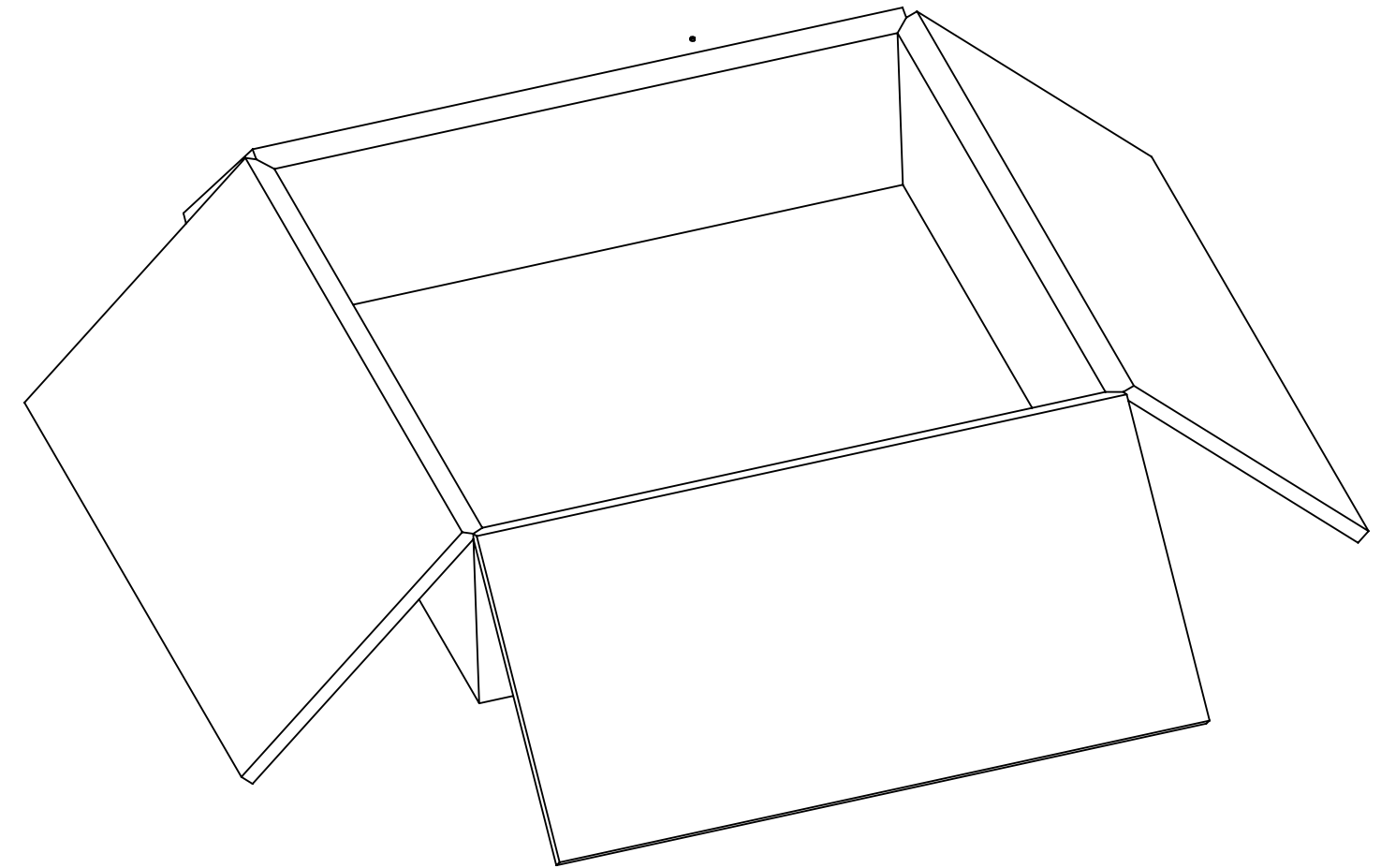
PSD 001 B2



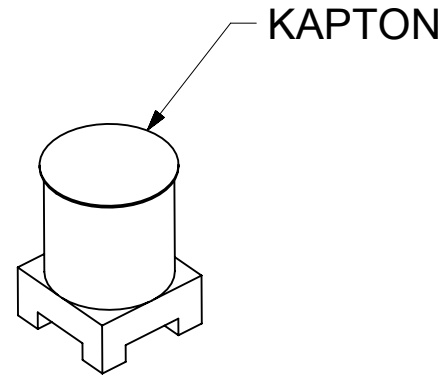
PART NO. 73415-2065



1600 SET PER 13" REEL



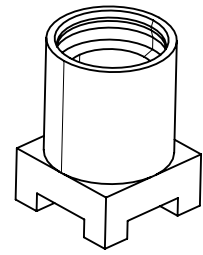
8000 CONNECTORS PER
OUTER CARTON BOX
339 X 339 X 100 REF.



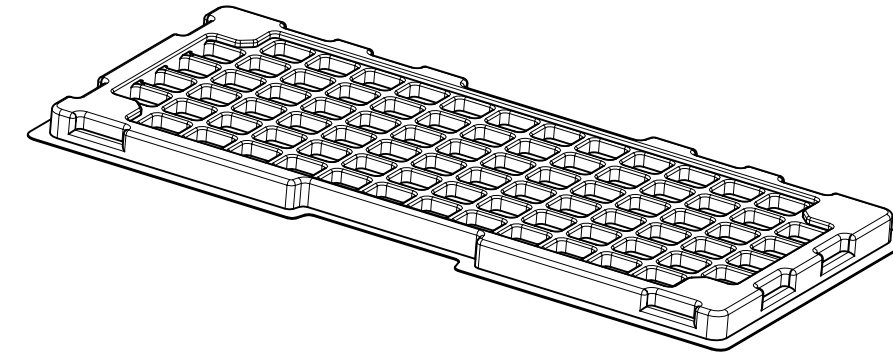
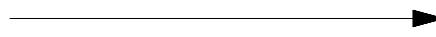
PART NO 73415-2062
PART NO 73415-2063

FUNCTIONAL SYMBOLS	THIS DRAWING CONTAINS INFORMATION THAT IS PROPRIETARY TO MOLEX ELECTRONIC TECHNOLOGIES, LLC AND SHOULD NOT BE USED WITHOUT WRITTEN PERMISSION										
	DIMENSION UNITS	SCALE	CURRENT REV DESC: EWR # 15708-A : ADDED PACKAGING SPEC FOR -2060 & -2061 PART NO								molex
$\nabla_A = 0$	MM/INCH	NTS	GENERAL TOLERANCES (UNLESS SPECIFIED)		EC NO: 740907					MMCX JACK, VERTICAL PCB/SMT 50 OHMS MMCX-J/PCB	
$\nabla_C = 0$			ANGULAR TOL $\pm 2.0^\circ$		DRWN: JSU18 2023/03/02						
$\nabla_P = 0$			4 PLACES \pm		CHK'D: YCHENG 2023/03/16						
DIVISIONAL SYMBOLS			3 PLACES \pm		APPR: YCHENG 2023/03/16					PRODUCT CUSTOMER DRAWING	
			2 PLACES \pm		INITIAL REVISION:					DOCUMENT NUMBER	
			1 PLACE \pm		DRWN: TFLAHERTY 2006/02/09					SD-73415-206	
			0 PLACES \pm		APPR: JWIENER 2006/02/09					PSD 001 B2	
DRAFT WHERE APPLICABLE MUST REMAIN WITHIN DIMENSIONS			THIRD ANGLE PROJECTION		DRAWING		SERIES		MATERIAL NUMBER	CUSTOMER	SHEET NUMBER
					C-SIZE		73415		GENERAL MARKET	4 OF 5	

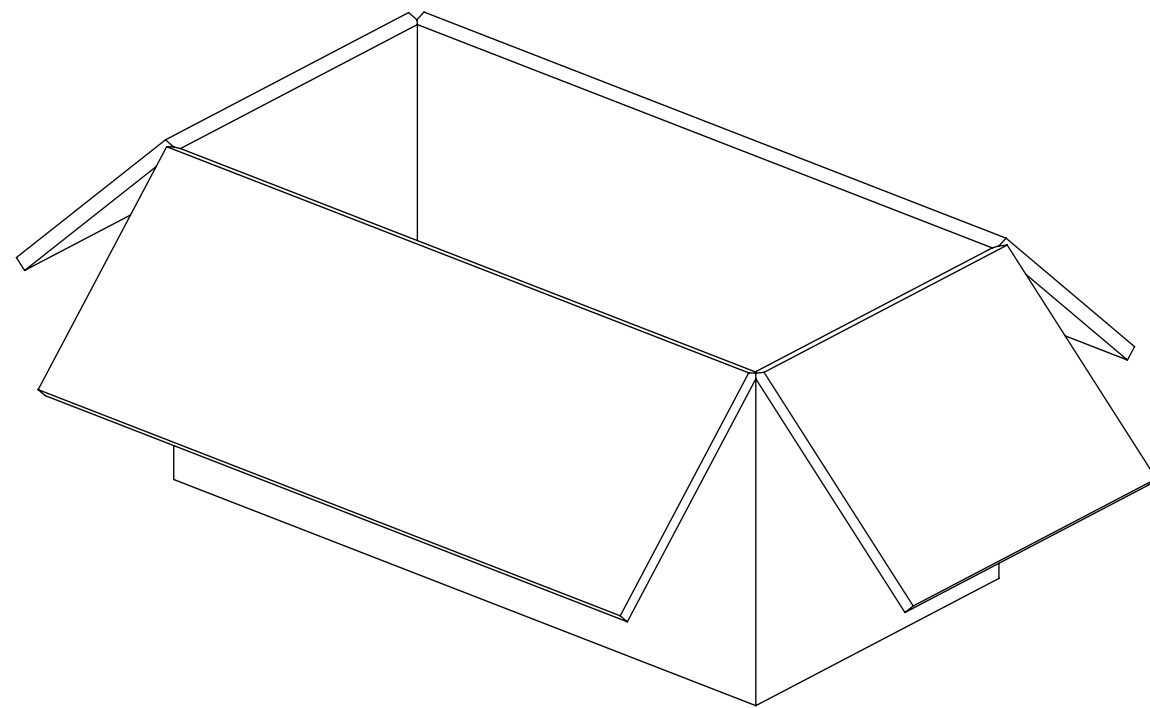
DOCUMENT STATUS	P1	RELEASE DATE	2023/03/16	04:28:02
-----------------	----	--------------	------------	----------



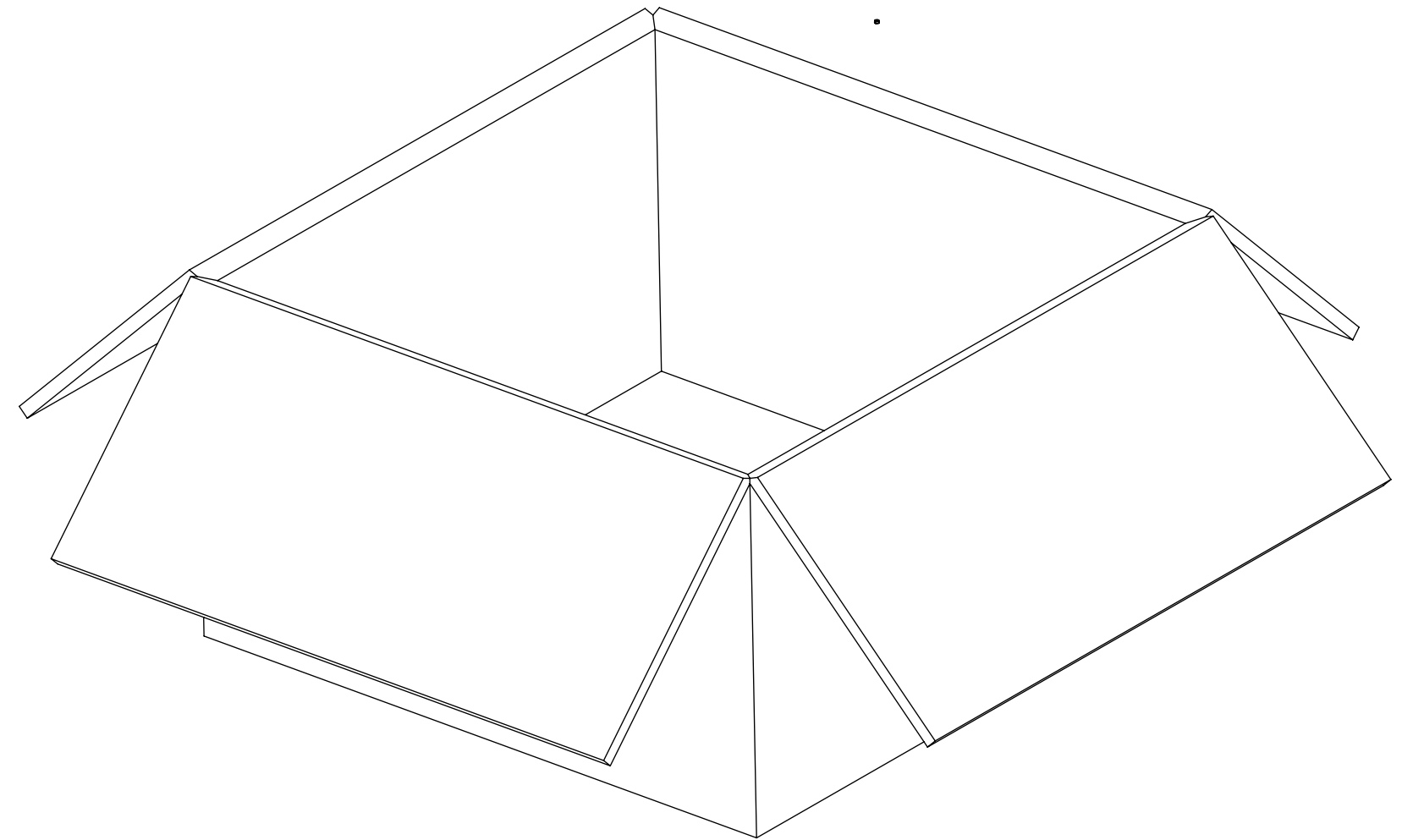
PART NO : 73415-2060
PART NO : 73415-2061



80 SET PER TRAY
P/N: 89707-0190



1600 SET PER INNER CARTON BOX
P/N: 96707-0001



3200 SET PER OUTER CARTON BOX
P/N: 96708-0005

FUNCTIONAL SYMBOLS										THIS DRAWING CONTAINS INFORMATION THAT IS PROPRIETARY TO MOLEX ELECTRONIC TECHNOLOGIES, LLC AND SHOULD NOT BE USED WITHOUT WRITTEN PERMISSION													
DIMENSION UNITS		SCALE		CURRENT REV DESC: EWR # 15708-A : ADDED PACKAGING SPEC FOR -2060 & -2061 PART NO																			
MM/INCH		NTS																					
GENERAL TOLERANCES (UNLESS SPECIFIED)										EC NO: 740907													
ANGULAR TOL ± 2.0°										DRWN: JSU18 2023/03/02													
4 PLACES ±										CHK'D: YCHENG 2023/03/16													
3 PLACES ±										APPR: YCHENG 2023/03/16													
2 PLACES ±										INITIAL REVISION:													
1 PLACE ±										DRWN: TFLAHERTY 2006/02/09													
0 PLACES ±										APPR: JWIENER 2006/02/09													
DIVISIONAL SYMBOLS										THIRD ANGLE PROJECTION		DRAWING		SERIES		DOCUMENT NUMBER		DOC TYPE		DOC PART		REVISION	
DRAFT WHERE APPLICABLE MUST REMAIN WITHIN DIMENSIONS												C-SIZE		73415		SD-73415-206		PSD		001 B2			
										MATERIAL NUMBER		CUSTOMER		SHEET NUMBER									
												GENERAL MARKET		5 OF 5									