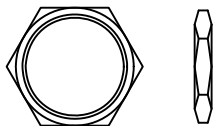
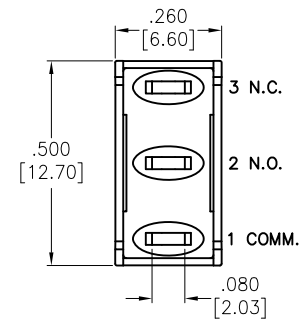
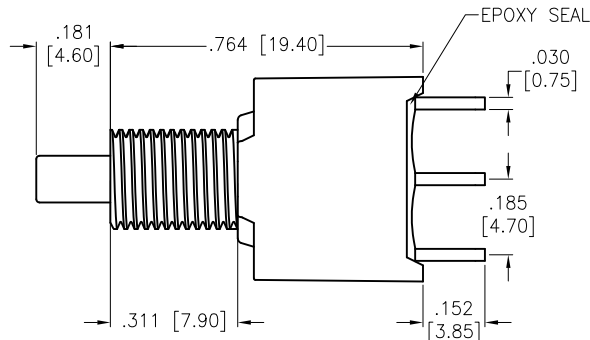
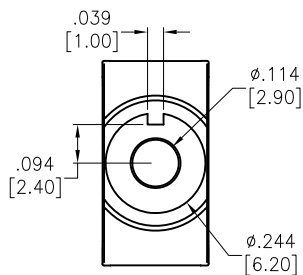
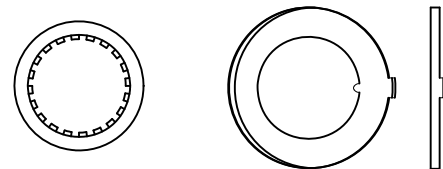


APPROVED: \_\_\_\_\_  
 DATE: \_\_\_\_\_ TITLE: \_\_\_\_\_

Rev	AWO #	Description	Date	Appr
-		RELEASED	6/21/21	



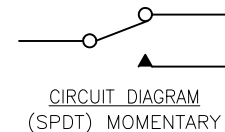
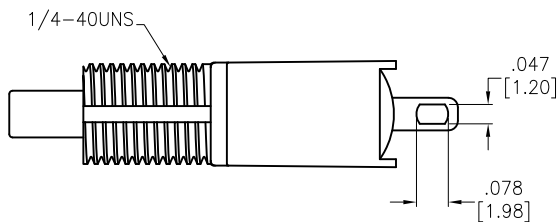
HEX NUT



LOCK WASHER

ANTI ROTATIONAL WASHER

INCLUDED HARDWARE



**SPECIFICATIONS:**

Material:  
 Movable Contact: Copper Alloy, Silver Plated  
 Terminal: Copper Alloy, Silver Plated with outer layer in gold plating  
 Electrical:  
 Voltage rating: 120VAC or 38VDC  
 Current rating: 1 Amps  
 Contact resistance: 10 mΩ max  
 Insulation resistance: 1,000 Mohms min  
 Dielectric withstanding voltage: 1,500V RMS @Sea level  
 Mechanical:  
 Waterproof: IP68  
 Temperature Rating:  
 Operating temperature: -30°C to +85°C  
 Environmental:  
 Lead free, RoHS compliant



UNLESS OTHERWISE SPECIFIED ALL DIMENSIONS ARE INCHES [MM] TOLERANCES: EXCEPT AS NOTED		 909 Rahway Avenue, Union, NJ 07083 Phone: 908-687-5000 Fax: 908-687-5710		
INCHES HOLES				
.X ± .10	Ø.X ± .10	TITLE <b>SNAP-ACTING PUSH BUTTON SWITCH, IP68</b> <b>SPDT, ON-MOMENTARY, SILVER PLATED, SOLDER TYPE</b>		
.XX ± .020	Ø.XX ± .015			
.XXX ± .015	Ø.XXX ± .010	SIZE <b>X</b>	PART NO. <b>SW-PB8-AA00A1GE-2</b>	REV. -
APPROVALS		DATE	REF: S00198T SCALE: NTS SHEET 1 OF 1	
DRAWN	LH	6/21/21		
CHECKED	AC	6/21/21		
APPROVED				