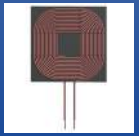


20W Wireless Charging Receiver Coil



AWCCA-RX404012-102



40.0 x 40.0 x 1.20mm
RoHS/RoHS II Compliant
MSL = 1

Features

- Ideal for 20W applications
- Dimensions: 40.0 x 40.0 x 1.2mm
- Compact and very thin design
- High permeability shielding to protect sensitive electronics
- Very high-power density / low DCR

Applications

- Batteries and battery chargers
- Charging accessories and fast chargers
- Portable electronics
- Roamable electronics
- Drones and robotics
- IoT and industrial IoT
- Power tools
- AR / VR
- Wearables

Maximum Ratings

Item	Value
Operating Temperature Range	T = -25°C ~ 85°C, RH 65±20%
Storage Temperature Range	T = -40°C~85°C, RH 65±20%

Electrical Specifications

Part Number	Inductance	DC Resistance	Q
AWCCA-RX404012-102	8.0µH±10%	80mΩ Max	30 Typ
Test Condition	125KHz / 1V	20±15°C	125KHz/1V
Test Environment	Temperature: 20±15°C, RH: 65% ±20%. Equipment: HP4284A, HP42841A , Agilent 34420A or equivalent		

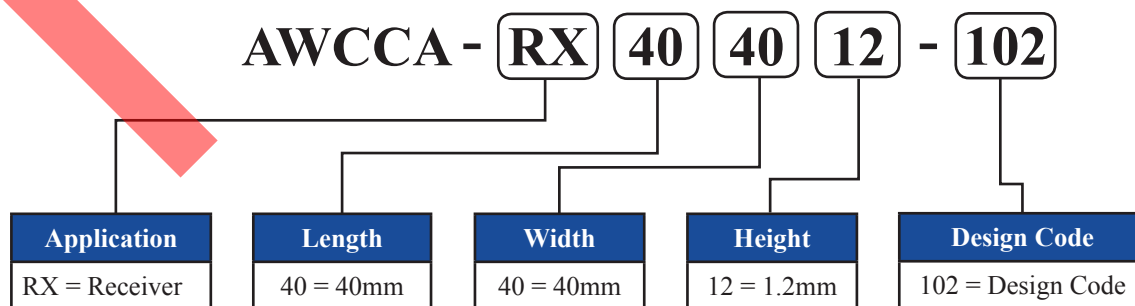
Test Conditions

Ambient Temperature: 20±15°C, RH: 65% ±20%.

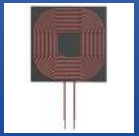
If any doubt on the results, measurements/tests should be made within the following limits:

Ambient Temperature: 25±5°C, RH: 75%±10%

Part Identification



20W Wireless Charging Receiver Coil

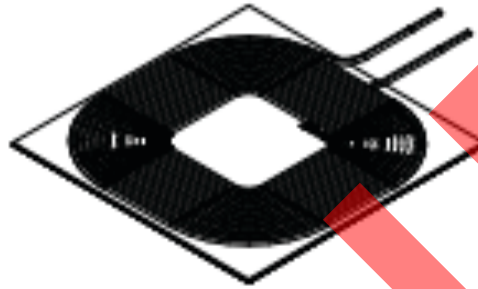


AWCCA-RX404012-102

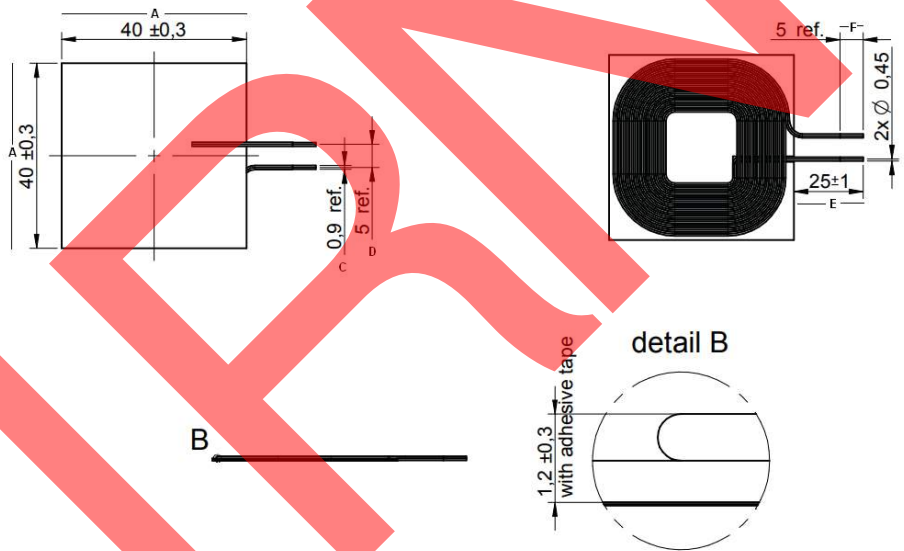


40.0 x 40.0 x 1.20mm
RoHS/RoHS II Compliant
MSL = 1

Product Image



Mechanical Dimensions (Unit: mm)



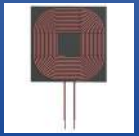
Dimensions of AWCCA-RX404012-102

Item	A	B	C	D	E	F	G
Spec	40.00	1.20	0.90	5.00	25.00	5.00	0.45 x2
Tol	±0.30	±0.30	REF	REF	±1.0	REF	Ø

Winding Details of AWCCA-RX404012-102

Number of Coils	Wire	Number of Turns	Inductance
1	Litz wire	9 Turns, 1 Layer	8µH±10%
Magnetic Sheet	Format		
Soft Ferrite	1 layer / 40.0mm x 40.0 mm		

20W Wireless Charging Receiver Coil



AWCCA-RX404012-102



40.0 x 40.0 x 1.20mm
RoHS/RoHS II Compliant
MSL = 1

Soldering Information

Wave Soldering Profile:

Not suitable for wave soldering

Manual Soldering:

350°C Max, 3secs

Packaging

- Qty per Tray: 300pcs
- Qty Trays per Carton: 4
- Qty per Carton: 1200pcs
- Weight per Tray: 10Kg
- Dimension of Carton: 41.5 * 30.0 * 30.0cm

Storage and Operational Condition

Storage Conditions:

- Recommended storage conditions: -40°C~85°C, RH 65±20%
- Service life: 12 Month @40°C, RH 40 ~ 65%.
- The appearance and solder ability should be check, if product is not in expiry date.

Operation Conditions:

- Use condition limit: T= -25°C ~ 85°C, RH 65±20%.