

CTSFW1050F Series

From .16µH to 16µH



CHARACTERISTICS

Description: SMD flat wire high current power inductors

Features:

- Magnetic shielded structure, excellent resistance to electromagnetic interference
- Flat wire winding, achieve a low DC resistance
- Lightweight design, save space, suitable for high density SMT

Applications: Low loss, high efficiency, wide application frequency, and application scope

Operating Temperature: -55°C to +150°C

Inductance Tolerance: ±20%

Testing: Inductance at 100kHz, 0.1V

Packaging: Tape & Reel.

Miscellaneous: **RoHS Compliant.**

Additional Information: Additional electrical & physical information available upon request.

Samples available. See website for ordering information.

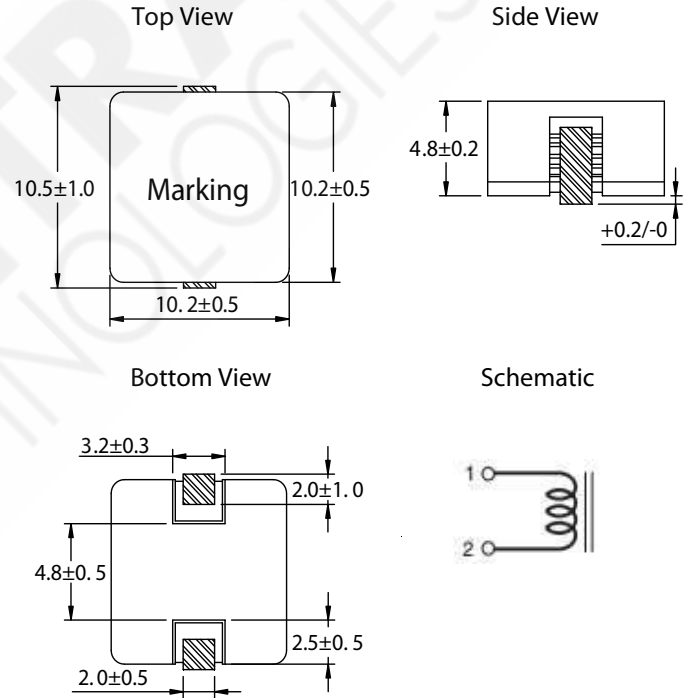
SPECIFICATIONS

*Isat: Value of inductance decrease within 30%
 **I_{rms}: A rise in temperature of core surface is within 50°C

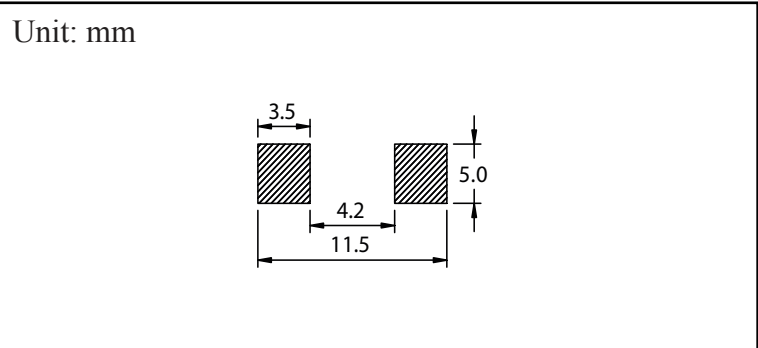
Part Number	Inductance ±20% (µH)	DCR Nom.(Max.) (mΩ)	Isat(A) Drop ≤30%	I _{rms} (A) Rise ≤50°C
CTSFW1050F-R16M	0.16	0.51(0.56)	58.00	25.00
CTSFW1050F-R40M	0.40	0.67(0.74)	37.00	24.00
CTSFW1050F-R72M	0.72	1.30(1.43)	35.00	22.00
CTSFW1050F-1R2M	1.20	1.80(1.98)	25.00	20.00
CTSFW1050F-1R8M	1.80	3.50(3.85)	18.00	16.00
CTSFW1050F-2R4M	2.40	4.75(5.23)	17.00	14.00
CTSFW1050F-3R3M	3.30	5.90(6.49)	15.00	12.00
CTSFW1050F-4R2M	4.20	7.10(7.81)	14.00	11.00
CTSFW1050F-5R5M	5.50	10.30(11.33)	12.00	10.00
CTSFW1050F-6R5M	6.50	12.50(13.75)	10.00	8.40
CTSFW1050F-7R8M	7.80	13.60(14.96)	9.50	8.00
CTSFW1050F-100M	10.00	16.30(17.93)	8.50	7.20
CTSFW1050F-160M	16.00	24.50(26.95)	6.50	5.00

PHYSICAL DIMENSIONS

Unit: mm

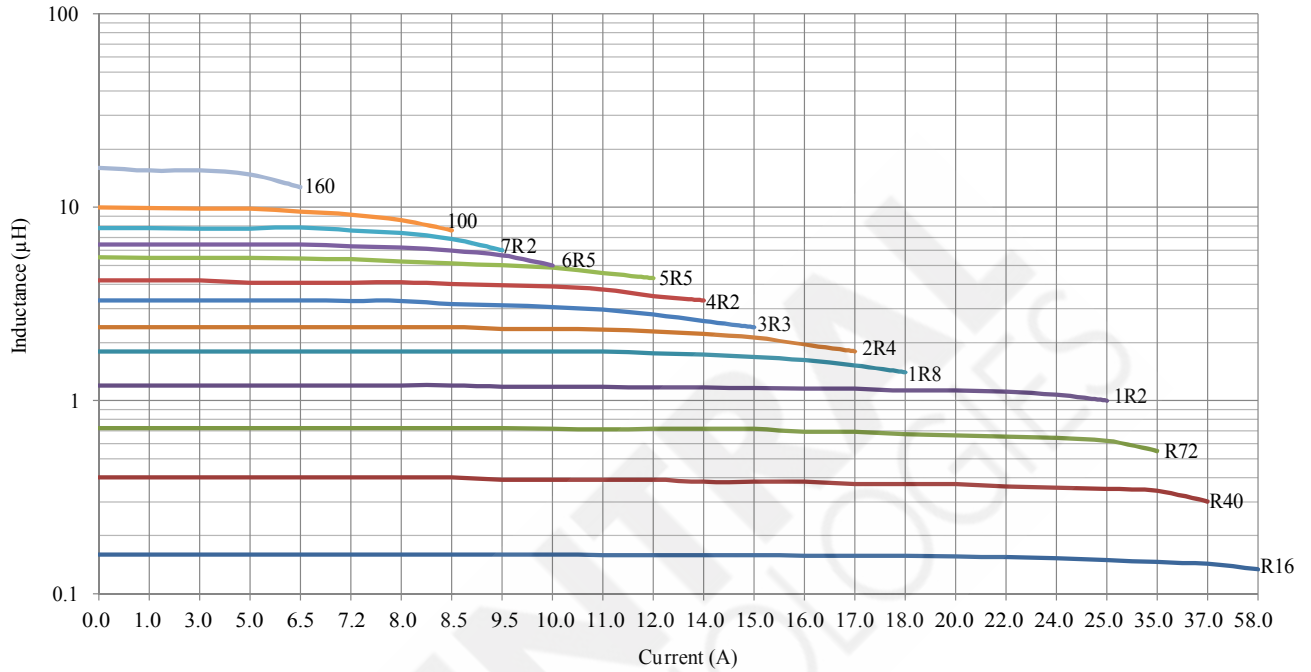


PAD LAYOUT



CTSFW1050F Series

Typical Inductance vs Current Characteristics



Typical Temperature Rise vs Current Characteristics

