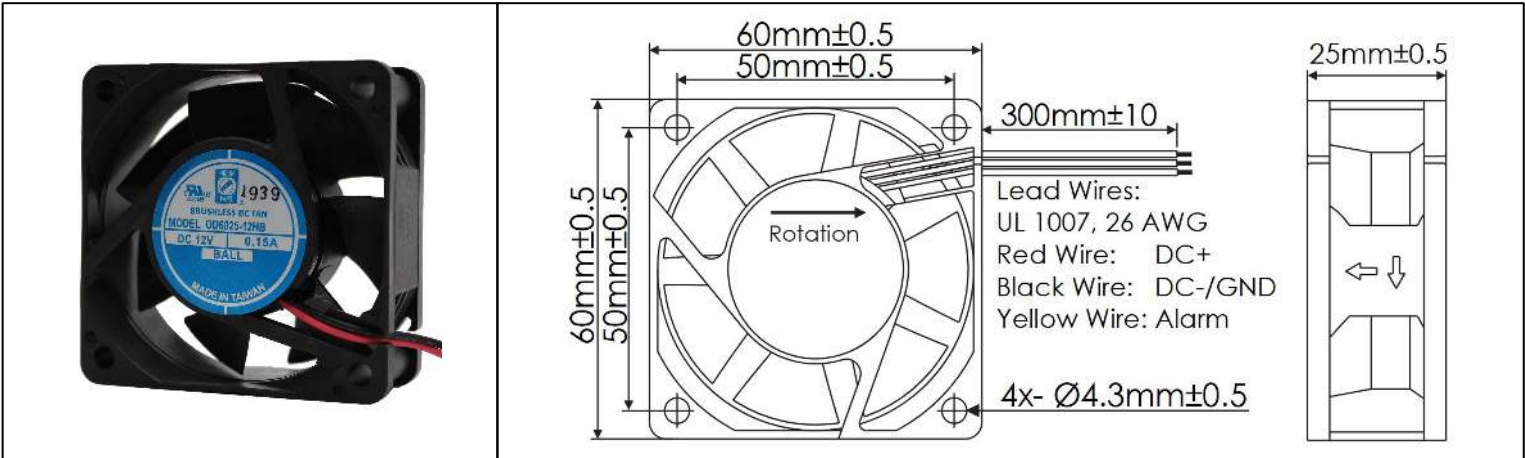


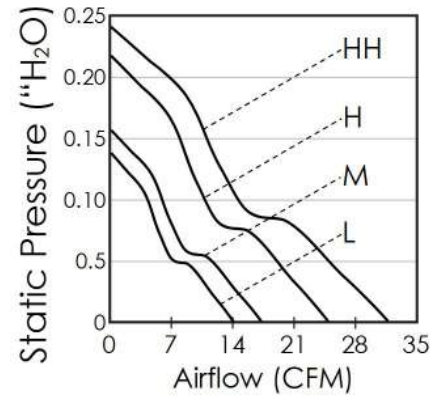
# OD6025-24HB02A



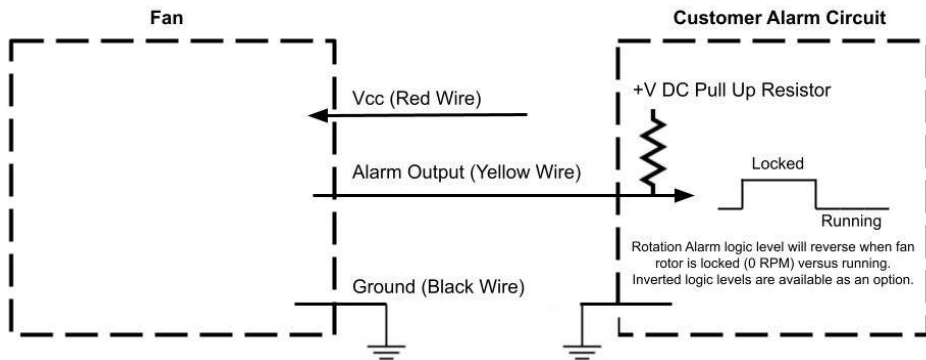
DC Fan - 24V  
60mm x 25mm (2.4" x 1.0")



<b>Frame</b>	PBT, UL94 V-0 Plastic	<b>Operating Temperature</b> -20°C ~ +65°C  <b>Storage Temperature</b> -20°C ~ +70°C  <b>Life Expectancy</b> 60,000 Hours (L10 at 45°C)  <b>Installed Options</b> Open Collector Alarm  Weight: 0.14 lbs
<b>Impeller</b>	PBT, UL94 V-0 Plastic	
<b>Connection</b>	3x Lead Wires, 26 AWG	
<b>Motor</b>	Brushless DC, Auto Cutoff, Auto Restart, Polarity Protected, Electronically Protected	
<b>Bearing System</b>	Ball Bearings	
<b>Dielectric Strength</b>	500VDC/min, <1mA	
<b>Insulation Resistance</b>	≥10MΩ @ 500 VDC	



Part Number	Rated Voltage (Volts DC)	Voltage Range (Volts DC)	Input Power (Watts)	Rated Current (Amps)	Rated Speed (RPM)	Airflow (CFM)	Noise Level (dBA)	Max. Static Pressure ("H <sub>2</sub> O)
OD6025-24HB02A	24	15 ~ 26	2.8	0.12	3975	25	30	0.22



Alarm Max Pullup Voltage: 24V  
 Alarm Max Sink Current: 5mA  
 Alarm Active Locked Rotor State: HIGH