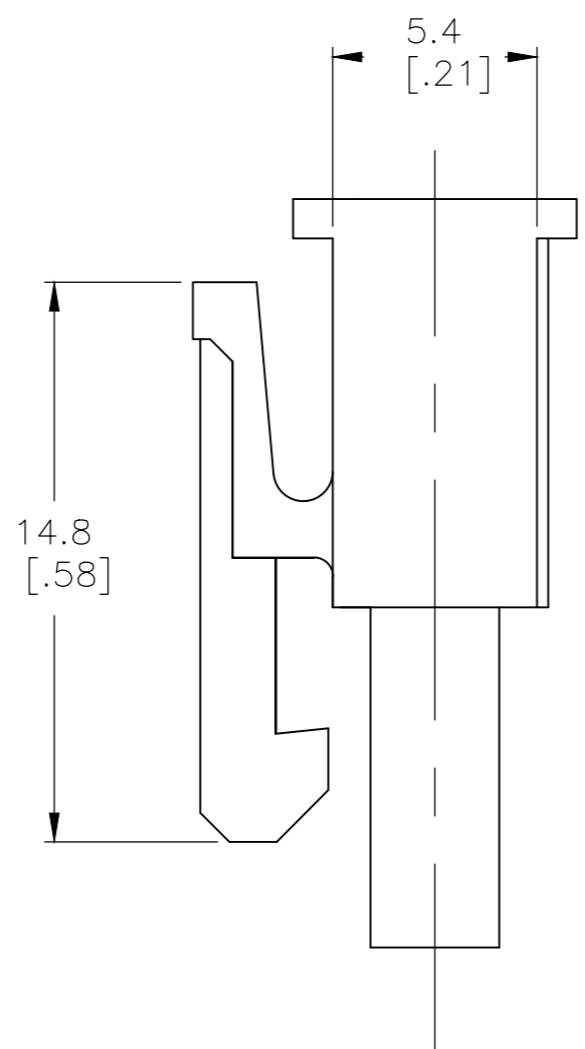
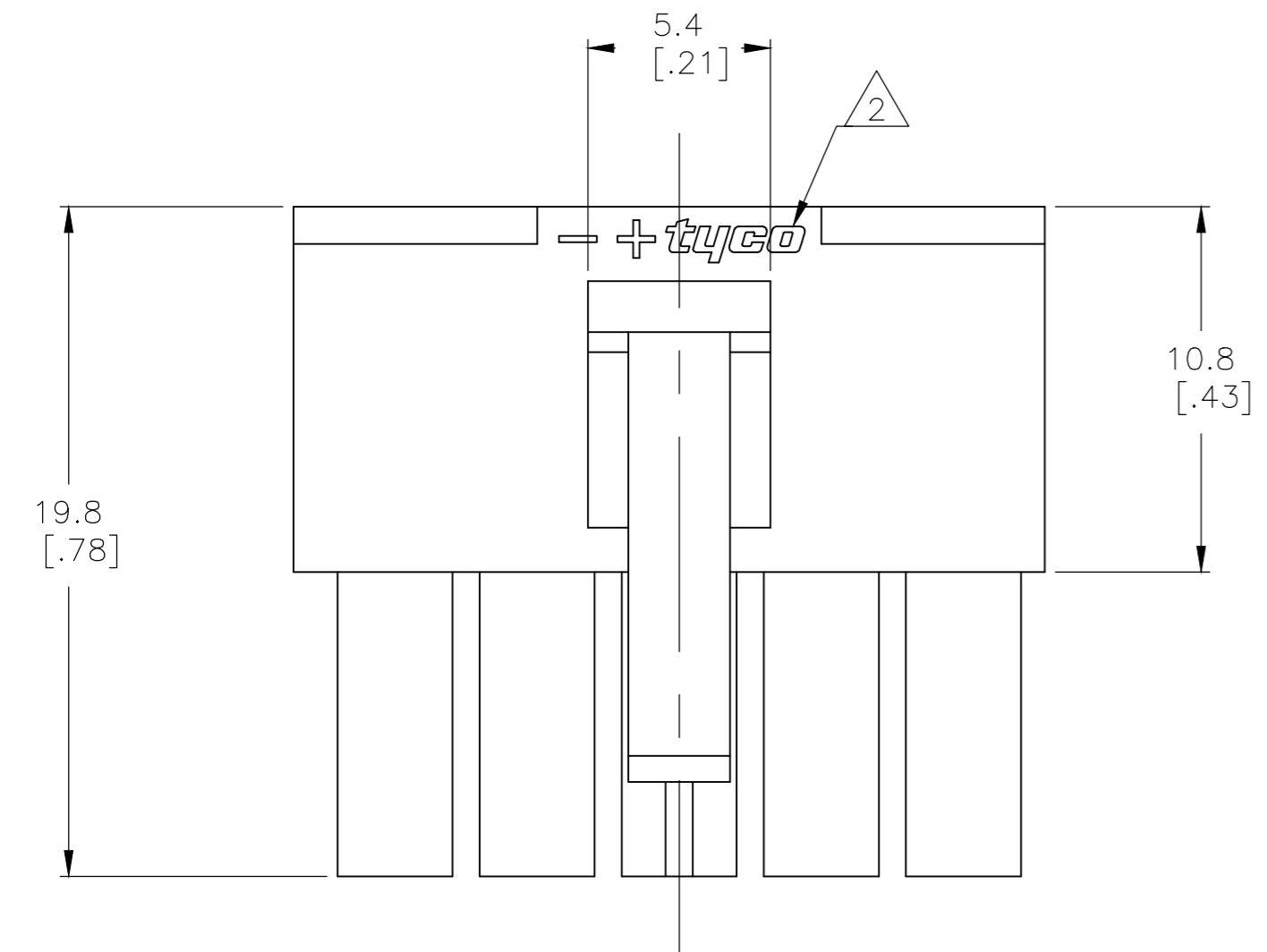
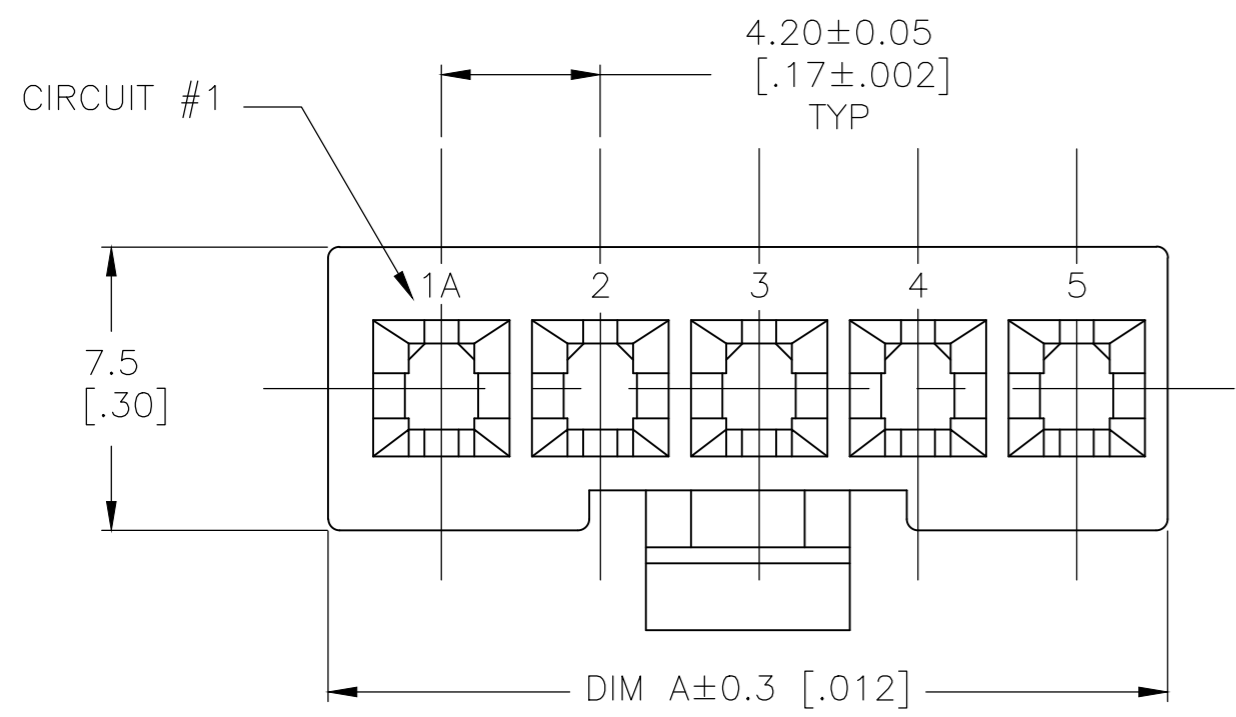
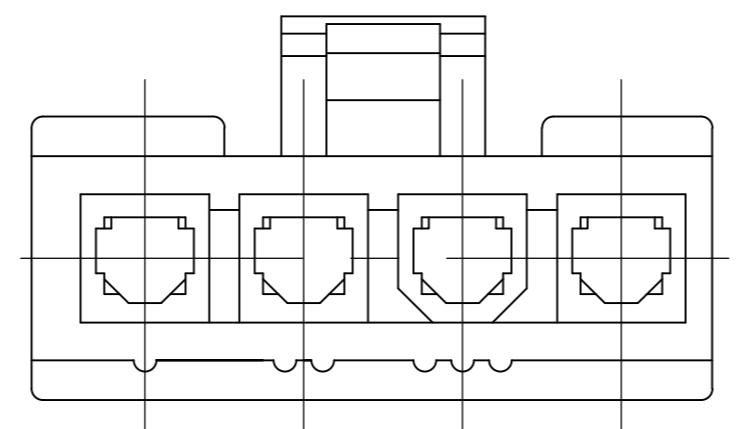
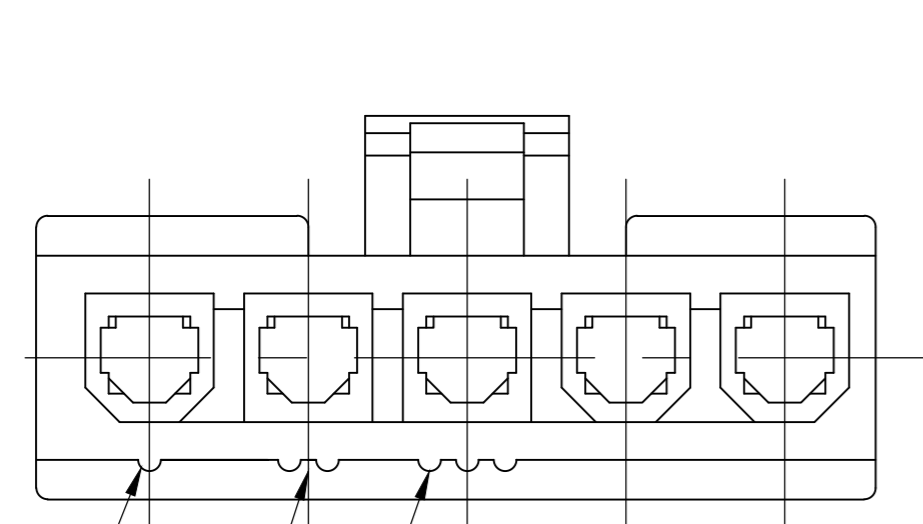


THIS DRAWING IS UNPUBLISHED. RELEASED FOR PUBLICATION  
 © COPYRIGHT - TE Connectivity Ltd. ALL RIGHTS RESERVED.

REVISIONS				
P	LTR	DESCRIPTION	DATE	APVD
A		INITIAL RELEASE	21MAY2019	L.C D.Z



1. MATERIAL: NYLON, UL94V-0. COLOR NATURAL.
2. COMPLY WITH GLOW WIRE REQUIREMENTS FOR PARTS OF NON-METALLIC MATERIAL SUPPORTING A CURRENT-CARRYING CONNECTION DETAILED IN IEC 60335-1, SECTION 30(GWT)
3. MATES WITH VAL-U-LOK(TM) PLUG HOUSINGS 2029180-X (GLOW WIRE) AND OTHER EQUIVALENT PARTS.
4. TE LOGO,- SIZE, LOCATION, AND ORIENTATION OPTIONAL.



4 POSITION MATING FACE  
(FOR POLARIZATION IDENTIFICATION)

22.2 [.87]	5	2348036-5
18.0 [.71]	4	2348036-4
DIM A	POS	PART NUMBER

THIS DRAWING IS A CONTROLLED DOCUMENT.		DWN L.CHEN 03DEC2018	TE Connectivity	
DIMENSIONS: mm [INCHES]		CHK D.ZHANG 03DEC2018	RECEPTACLE, SINGLE ROW, VAL-U-LOK(TM)	
TOLERANCES UNLESS OTHERWISE SPECIFIED:		APVD D.ZHANG 03DEC2018	NAME	
0 PLC ± -	1 PLC ± 0.2 [.01]	PRODUCT SPEC 108-2112	SIZE CAGE CODE DRAWING NO RESTRICTED TO	
2 PLC ± -	3 PLC ± -	APPLICATION SPEC 114-13172	A2 00779	C=2348036
4 PLC ± -	ANGLES ± -	WEIGHT 0.000000	SCALE NTS SHEET 1 of 1 REV A	
MATERIAL SEE NOTES	FINISH -	CUSTOMER DRAWING		

2348036