

SPECIFICATIONS

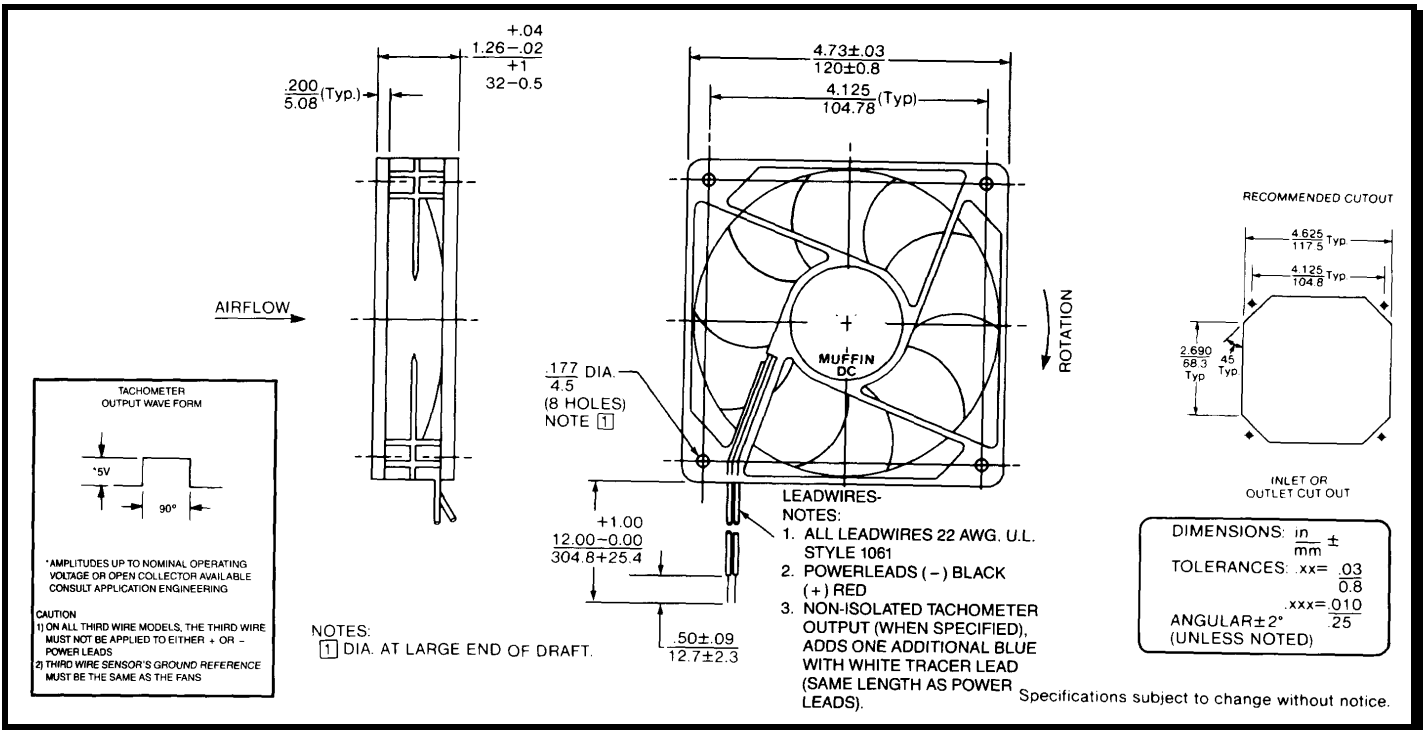
(RoHS Compliant)



Model Number: MC12B7
Part Number: 19030598A
SPEC Number: 26014005A01

Jan.01.2013

Mechanical Drawing:



Motor:

Nominal Voltage = 12 vdc
 Operating Voltage Range = 6 – 14 vdc
 Nominal Running Current = 0.660 amps
 Locked Rotor Current = 1.750 amps
 Running Power = 7.9 watts
 Average Speed = 3700
 Bearings = Ball
 Air Flow = 102 CFM
 Acoustic = 47.8 dBA

Construction:

Venturi: Lexan 500, Black, UL 94V-0
 Propeller: Plastic, Black, UL 94V-0

Agency Approvals:

UL, CSA, TUV

Life Expectancy:

This fan is designed for continuous duty life of 78,000 hours at 40°C.

Additional Features:

Brushless DC Motor
 Locked Rotor Protection
 Polarity Protected
 Automatic Restart Capability
 Operating Temperature: -10°C to 70°C
 Storage Temperature: -40°C to 85°C

Tachometer:

Output: 5 V TTL
 I_c: 5 mA Typical
 Pulses per Revolution: 2
 Isolated: No

Termination:

12" lead wire, 22 AWG, UL 1601
 Red = Power (+)
 Black = Return (-)
 Blue / White = Tachometer (Output)