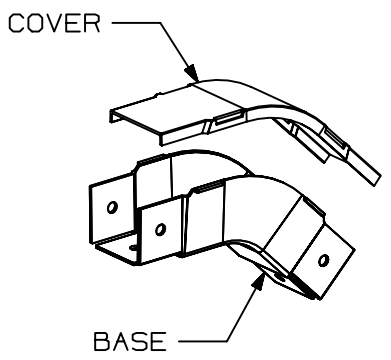
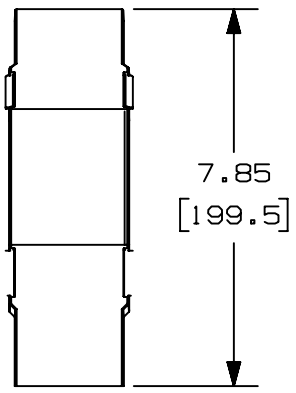


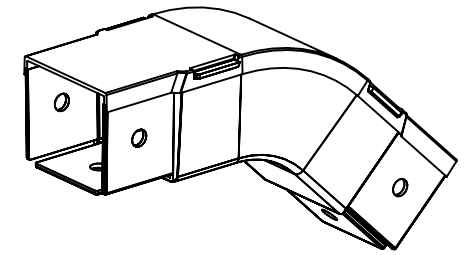
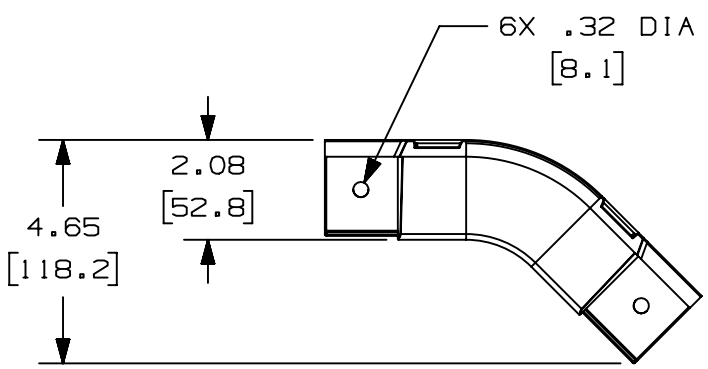
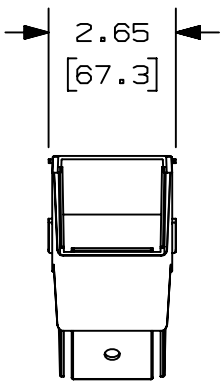
THIS COPY IS PROVIDED ON A RESTRICTED BASIS AND IS NOT TO BE USED IN ANY WAY DETRIMENTAL TO THE INTERESTS OF PANDUIT CORP.

NOTES:

1. SEE CURRENT CATALOG FOR ADDITIONAL PART SUFFIXES TO INDICATE COLOR AND/OR PACKAGE QUANTITY.
2. THE FIBER-DUCT 2x2 AND FIBERRUNNER 2x2 OUTSIDE VERTICAL 45° ANGLE FITTING IS DESIGNED WITH A MINIMUM 2" (50.8) BEND RADIUS TO PROTECT FIBER OPTIC CABLES.
3. PARTS SUPPLIED:
(1)- COVER
(1)- BASE
4. DIMENSIONS IN PARENTHESES ARE IN METRIC.



PANDUIT PART NUMBER	WEIGHT	MATERIAL
FOV452X2**	0.24 LB/EACH (109g/EACH)	ABS
FOV452X2L**	0.24 LB/EACH (109g/EACH)	PC/ABS



TITLE FIBER-DUCT 2x2 AND FIBERRUNNER 2x2 OUTSIDE VERTICAL 45° ANGLE FITTING - (FOV452X2**, FOV452X2L**)		
CUSTOMER DRAWING		
ITEM REVISION NAME D35245BZ/05		
DATASET FILE NAME D35245BZ_DC/05B		MATERIAL: SEE PART NUMBER TABLE ABOVE
DRAWING NUMBER: 35245-26		
THIRD ANGLE PROJECTION		
DRAWN BY TPC	DATE 1/15/97	CHK CEF
SCALE NONE	SHT 1 OF 1	
SIZE A		

REV	DATE	BY	CHK	APR	DESCRIPTION	ECN
05B	8/28/20	MEX-JAGC	DWR	DWR	ADDED PART NUMBER UPDATED DRAWING BORDER & TITLE BLOCK	V09002DZ/11