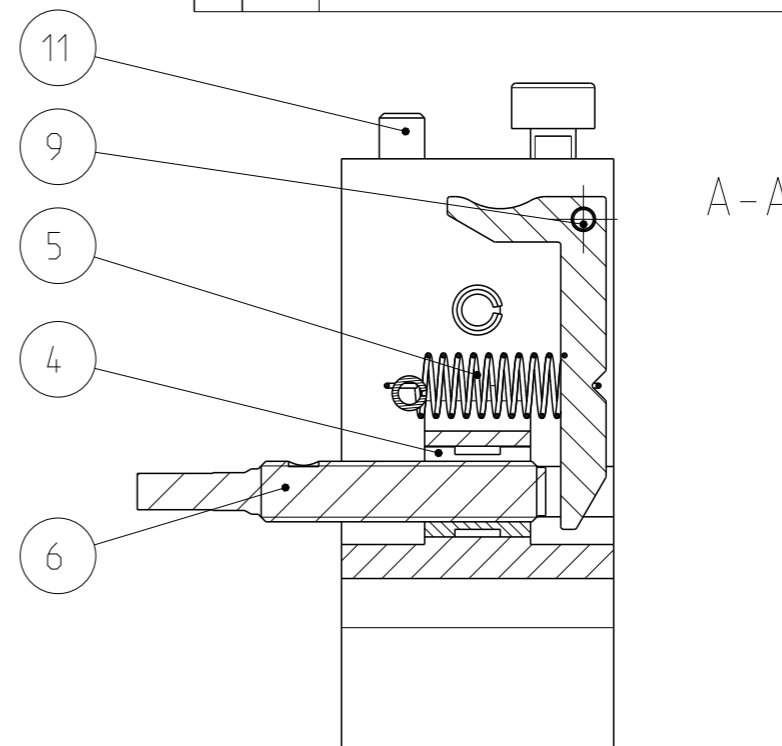
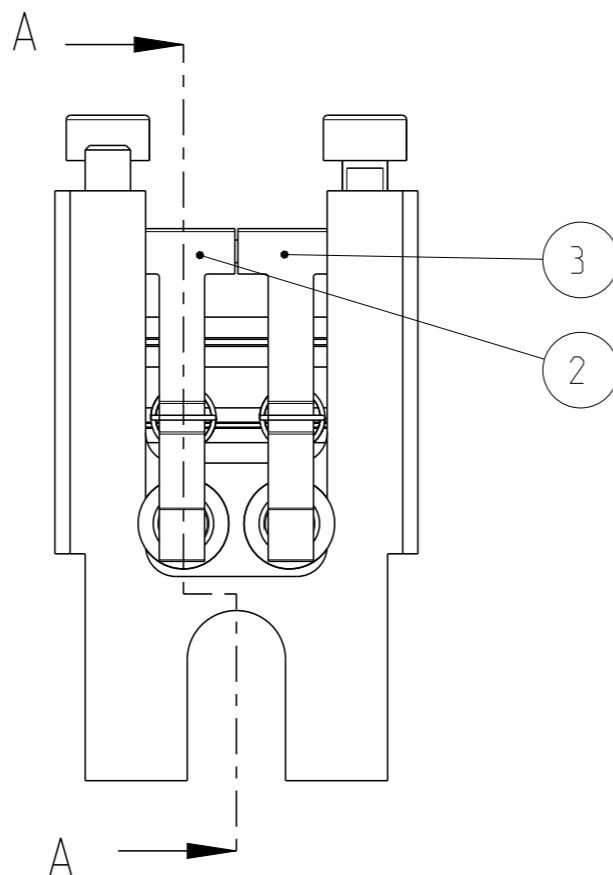
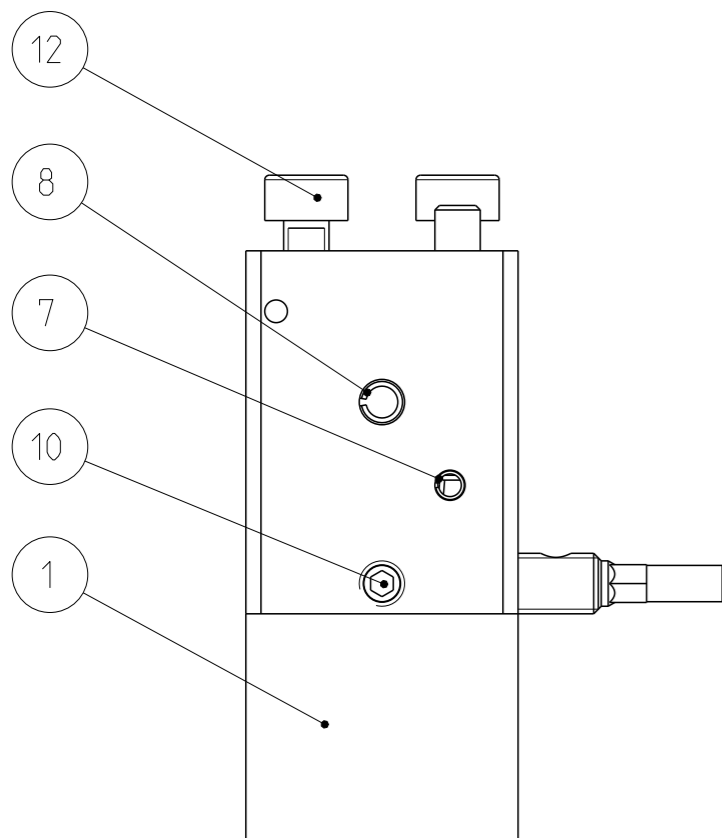
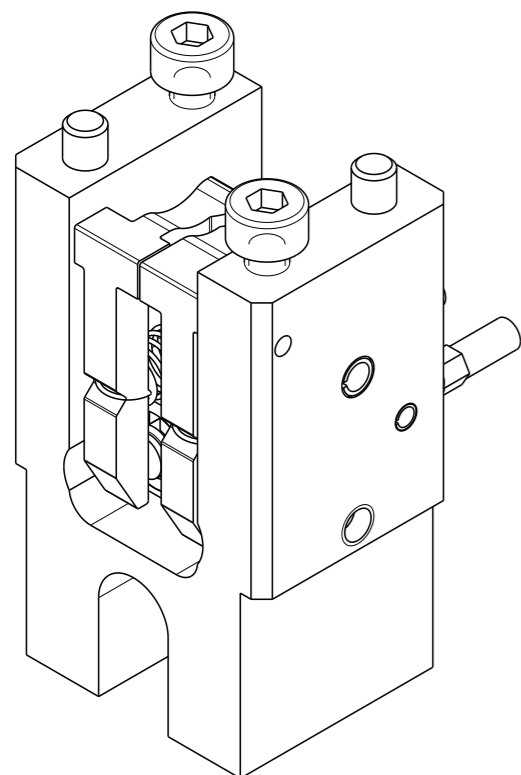


P	LTR	DESCRIPTION	DATE	DWN	APVD
	C	INITIAL RELEASE	29OCT2015	MB	-
	D	ECR-16-006730	10MAY2016	MB	KL



POS	QTY	TE/PN	PART REV	DESCRIPTION	WEAR	SPARE
1	1	7-539949-2	B	AMBOSSUNTERTEIL anvil-lower part	-	-
2	1	3-1372436-8	C	WIPPE ROCKER	-	-
3	1	3-1372436-9	C	WIPPE ROCKER	-	-
4	2	7-539949-3	B1	KLEMMHUELSE clamp sleeve	-	-
5	2	5-653860-5	A	ZUGFEDER Z-016 TENSION SPRING	-	YES
6	2	2256719-1	A	SENSOR -	-	YES
7	1	2-519056-7	A	Spannstift 2x24 DIN 1481 2*24 DIN 1481	-	YES
8	1	5-519056-7	A	Spannstift 3x24 DIN 1481 3*24 DIN 1481	-	YES
9	1	8-519052-2_GATD_DKB	A	Zyl.-Stift 1.5m6x20 DIN 6325 PIN 5m6x16 DIN 6325	-	-
10	2	1-519011-9	B	SCREW M3x4 DIN 913 -	-	YES
11	2	3-508368-7	A	ZYLINDERSTIFT DIN 6325 3x8 PIN DIN 6325 3x8	-	YES
12	2	1-519000-1_GATD_DKB	A2	Zylinderschr. M3x6 DIN 912 SCREW DIN EN ISO 4762	-	YES



THIS DRAWING IS A CONTROLLED DOCUMENT.

DWN G.BILECKI 12FEB2010

DIMENSIONS:	TOLERANCES UNLESS OTHERWISE SPECIFIED:
mm	0 PLC ±
	1 PLC ±
	2 PLC ±
	3 PLC ±
	4 PLC ±
	ANGLES ±
MATERIAL	FINISH
-	-
-	-

CHK	-
APVD	-
PRODUCT SPEC	-
APPLICATION SPEC	-
WEIGHT	130g



NAME AMBOSSKOERPER ANVIL BODY			
SIZE	CAGE CODE	DRAWING NO	RESTRICTED TO
A3	-	©-4-1372436-0	-
Customer Drawing	SCALE 2:1	SHEET 1 OF 1	REV D