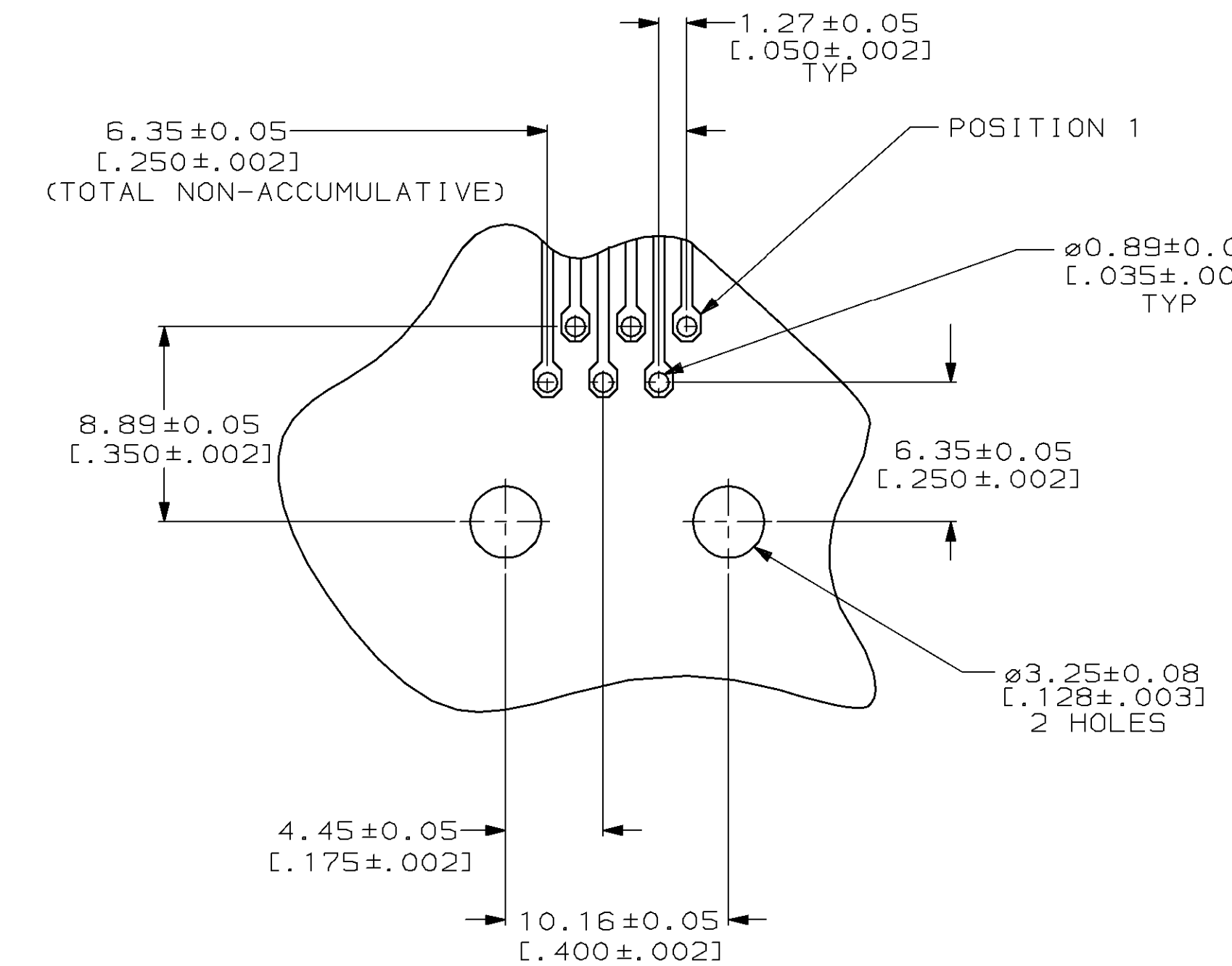
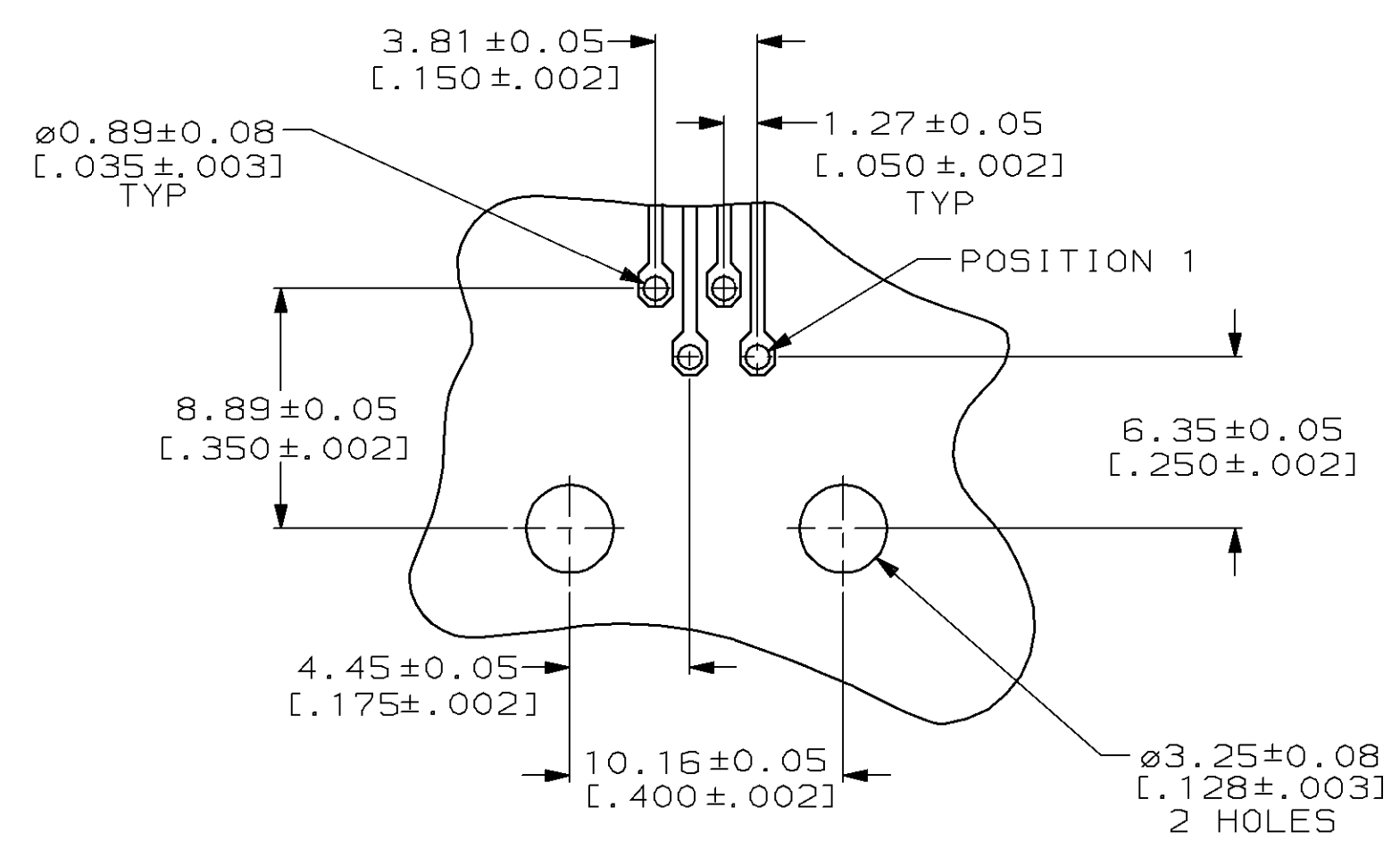
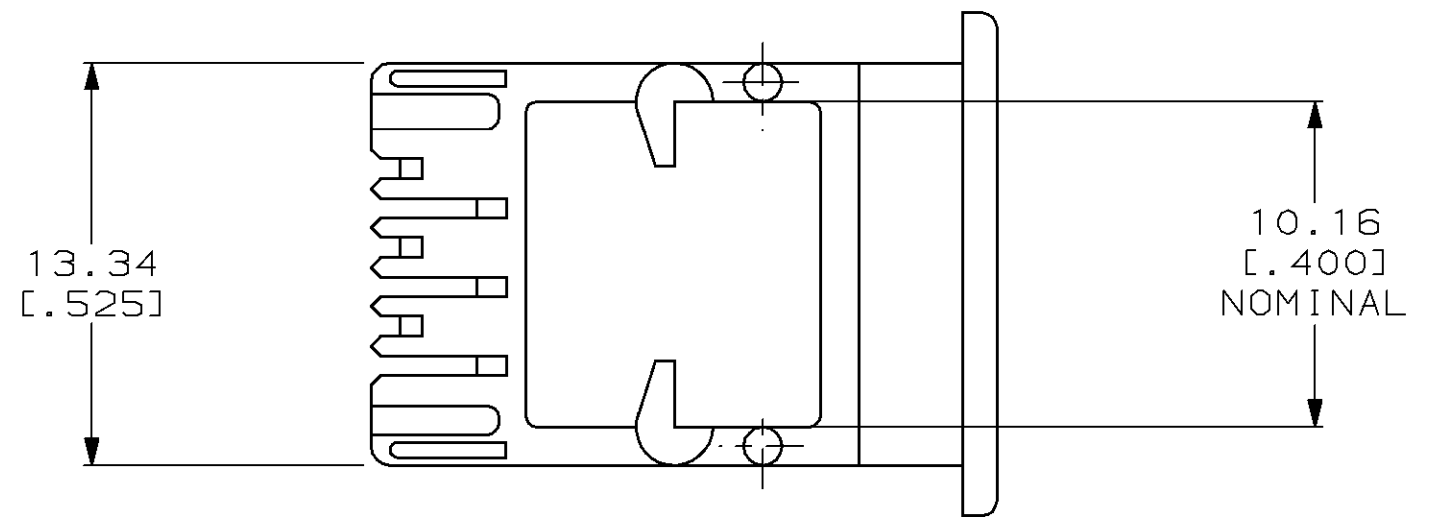
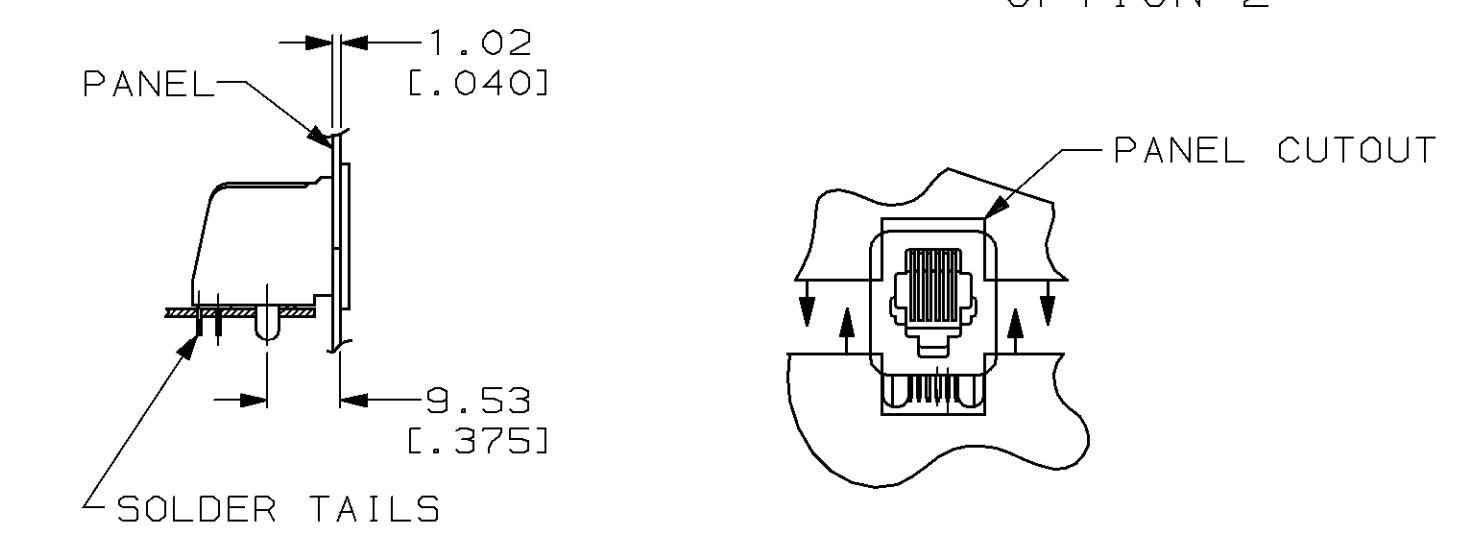
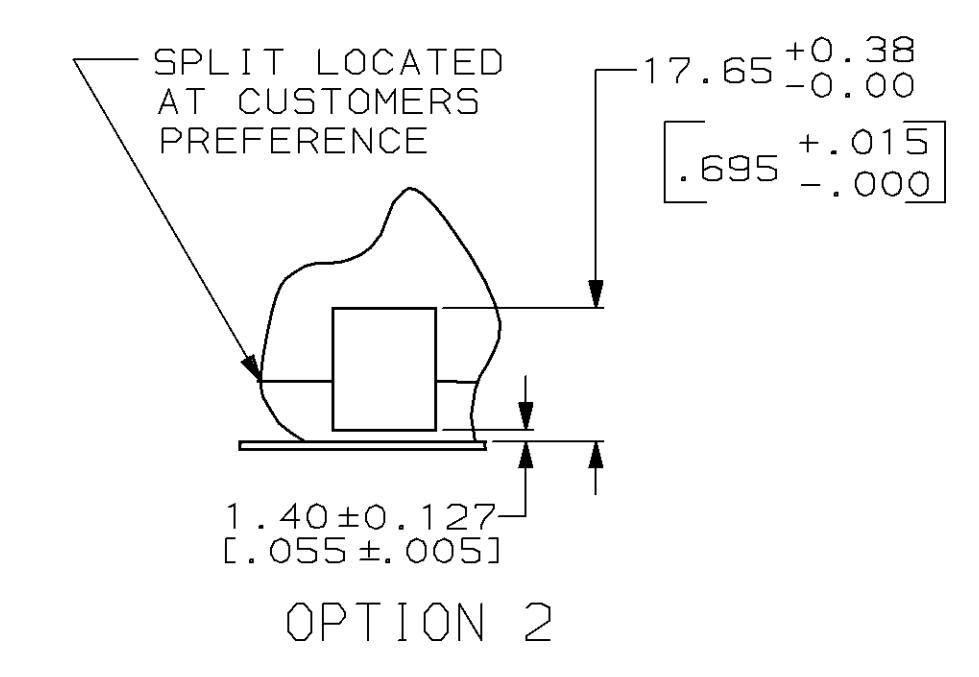
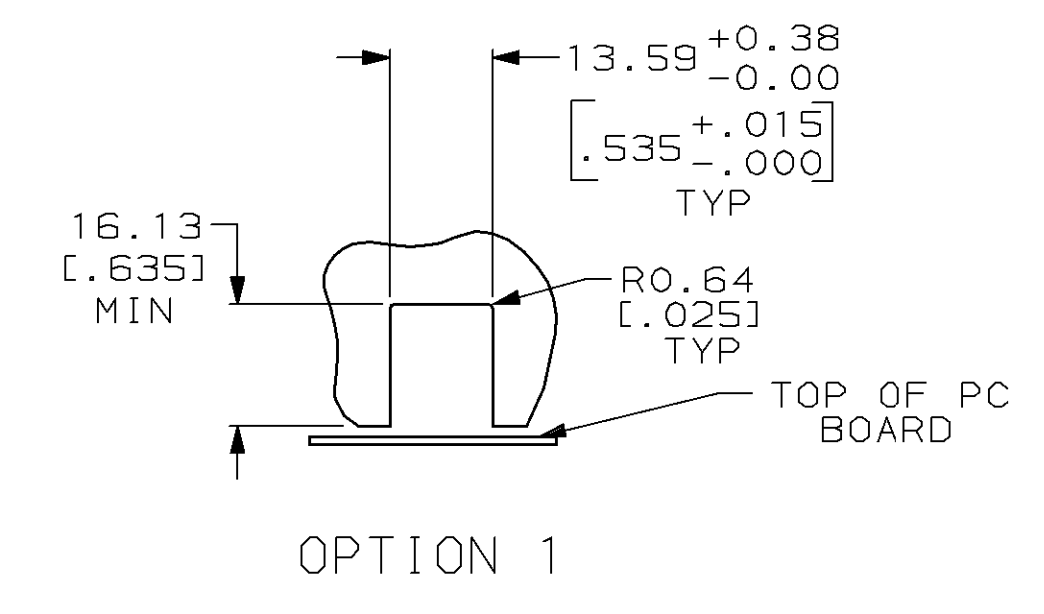
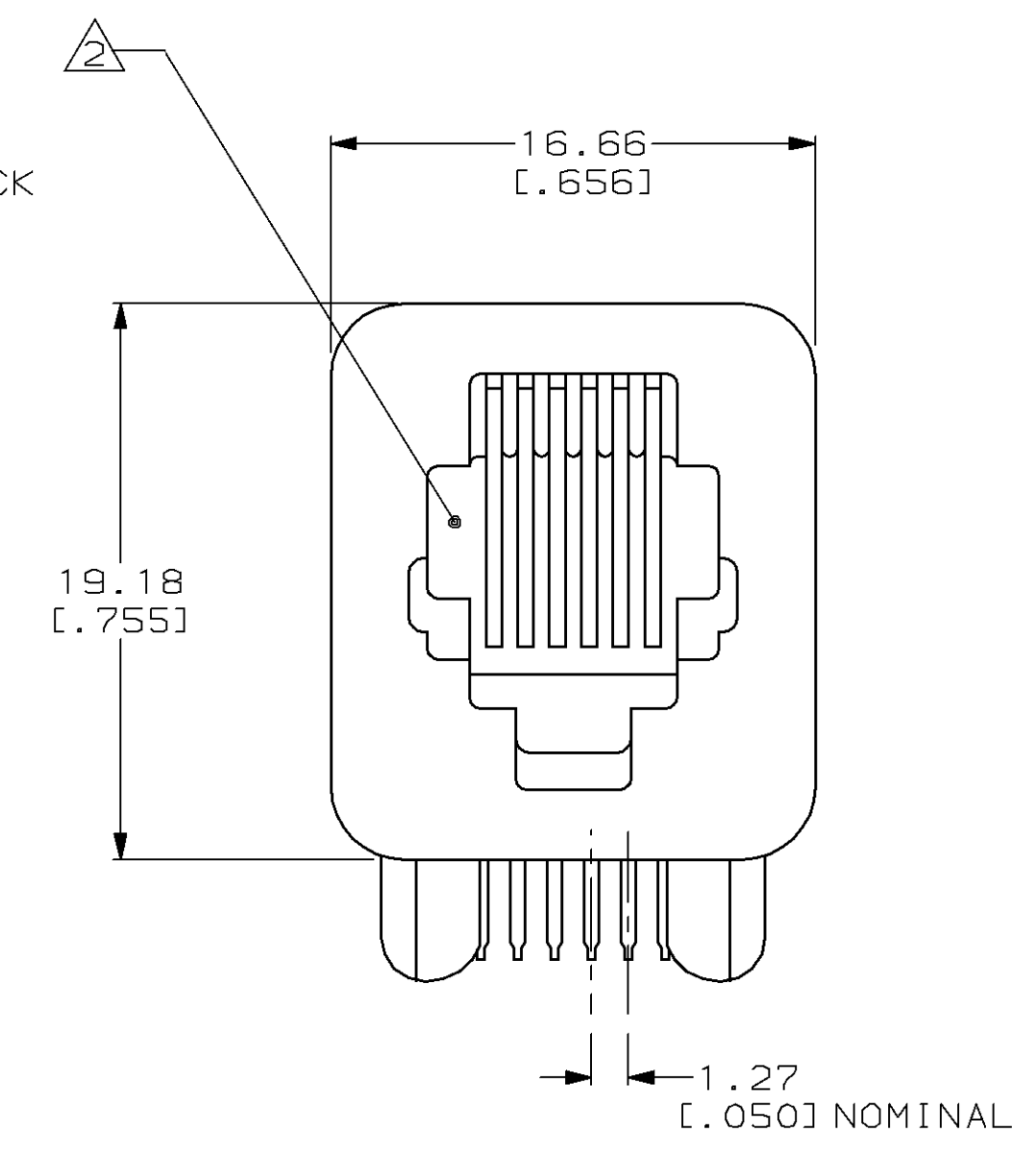
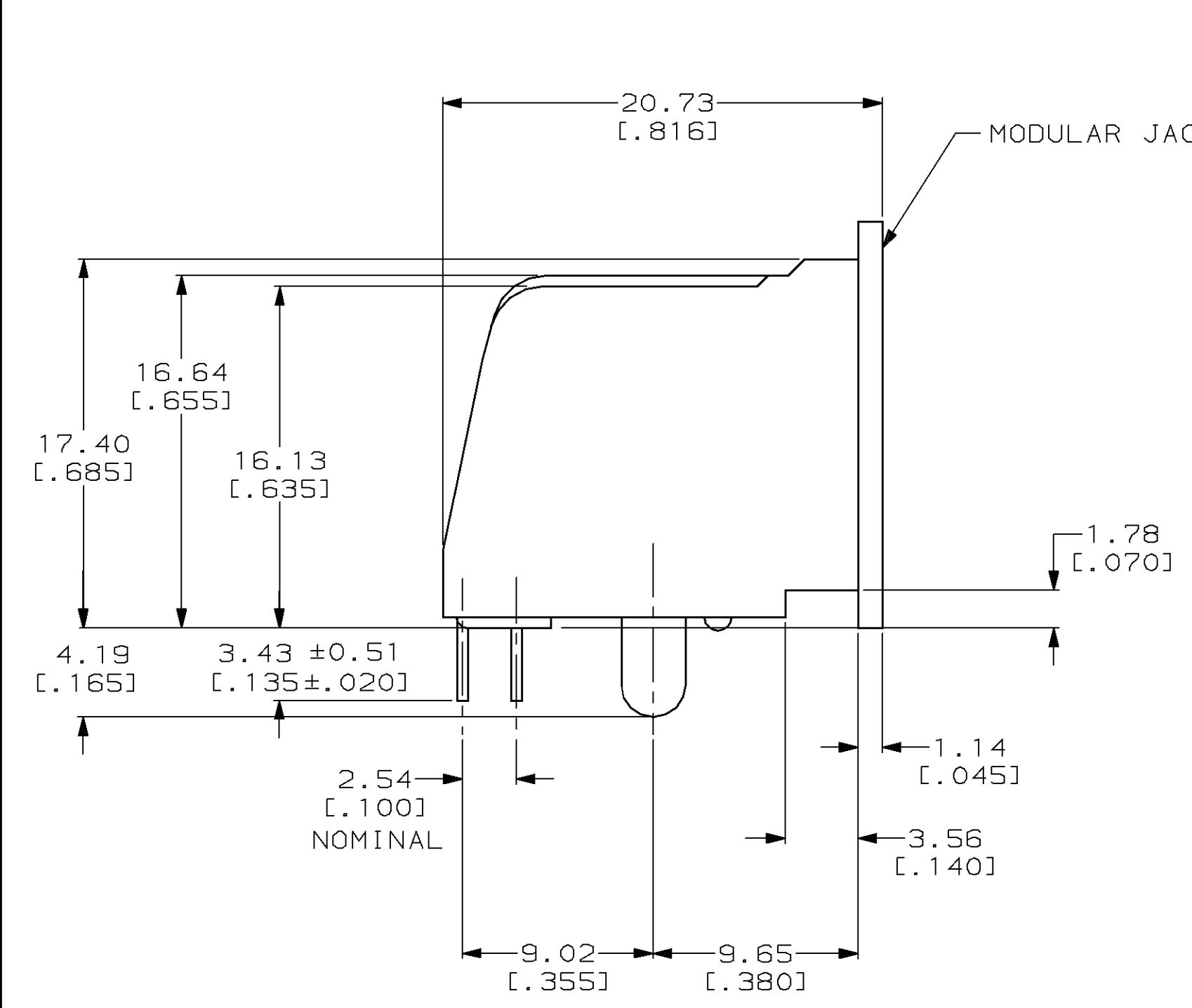


LOC		DIST		P		F		ZONE		LTR		REVISIONS		DATE	APPD	
AA	22												E	REVISED; EC 0210-0052-94	3-9-94	KT



- ⚠ MATERIAL: HOUSING - PBT POLYESTER, BLACK
 TERMINAL - 0.351 [.0138] THICK PHOS-BRONZE PLATED WITH 0.0013 [.00005] THICK HARD GOLD IN LOCALIZED GOLD PLATE AREA AND 0.0020 [.00008] THICK TIN-LEAD IN SOLDER AREA OVER 0.0013 [.00005] THICK NICKEL UNDERPLATE.
- ⚠ CAVITY CONFORMS TO FCC RULES AND REGULATIONS PART 68 AND REA BULLETIN 345-81, PE-76 SPECIFICATION FOR MODULAR TELEPHONE HARDWARE.
- 3. ALL DIMENSIONS ARE MAXIMUM UNLESS OTHERWISE SPECIFIED.

		6		520242-3	
		4		520242-2	
		CONTACTS		PART NO	
DO NOT SCALE PRINT. UNLESS SPECIFIED DIMENSIONS IN mm [INCHES] TOLERANCES ON:		DR 3-9-94 KTILLMAN/UTA		AMP Incorporated Harrisburg, PA 17105-3608	
2 PLC DEC ± -		CHK 3-24-94 N. JONES			
3 PLC DEC ± -		APPD 3-28-94 J. TONEY		NAME	
ANGLES ± -		APPD 3-29-94 H. MCGRATH		PRINTED CIRCUIT BOARD MODULAR JACK ASSEMBLY SIDE ENTRY, 6 POSITION, FLANGED	
MATERIAL		PRODUCT SPEC		108-1163	
FINISH		APPLICATION SPEC		114-2048	
		SIZE	CAGE CODE	DRAWING NO	
		D	00779	C-520242	
		SCALE	4:1	SHEET 1 OF 1	

THIS DRAWING IS A CONTROLLED DOCUMENT FOR AMP INCORPORATED. IT IS SUBJECT TO CHANGE AND THE CONTROLLING ENGINEERING ORGANIZATION SHOULD BE CONTACTED FOR THE LATEST REVISION.