

968393-1 ✓ ACTIVE

AMP | Timer Connector System

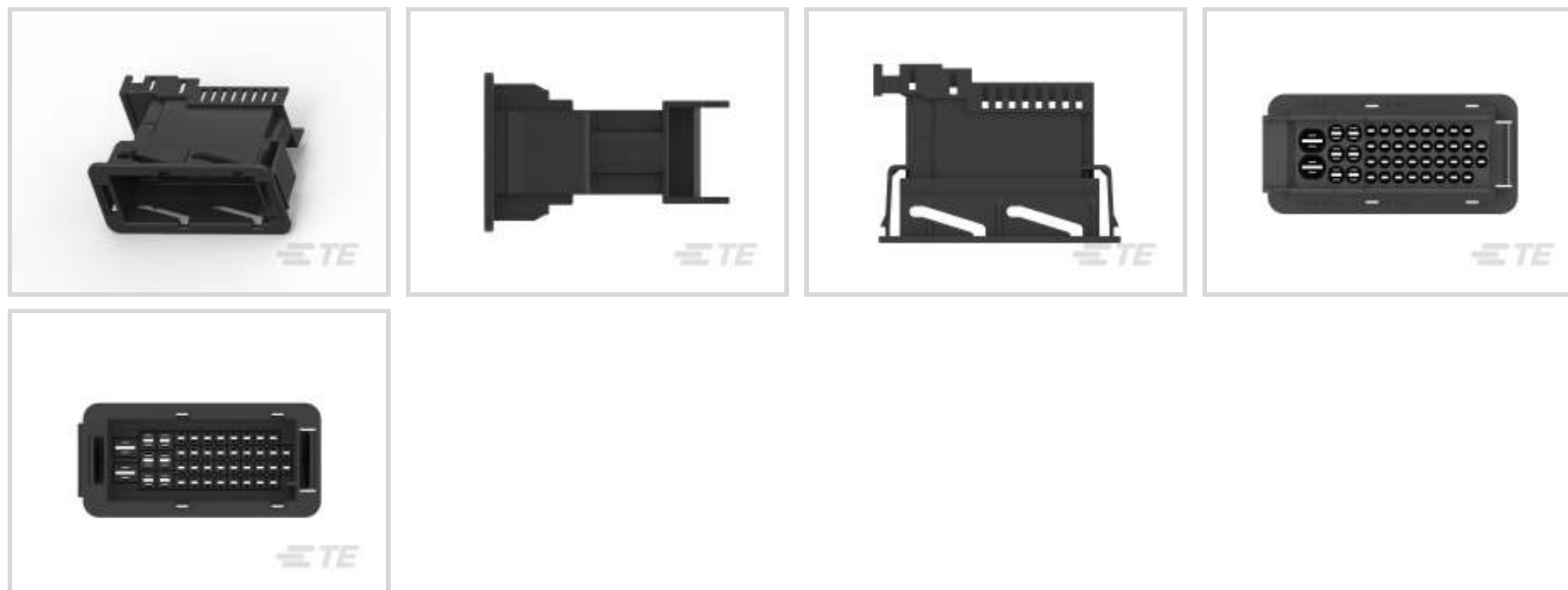
TE Internal #: 968393-1

Housing for Male Terminals, Wire-to-Wire, 42 Position, .196 in / .157 in [5 mm / 4 mm] Centerline, Black, Wire & Cable, Timer Connector System

[View on TE.com >](#)



Connectors > Automotive Connectors > Automotive Housings > Timer Connector Housing



Connector & Housing Type: **Housing for Male Terminals**

Connector System: **Wire-to-Wire**

Number of Positions: **42**

Centerline (Pitch): **4 mm, 5 mm [.157 in, .196 in]**

Sealable: **No**

[All Timer Connector Housing \(589\)](#)

Features

Product Type Features

Connector Shape	Rectangular
Connector & Housing Type	Housing for Male Terminals
Connector System	Wire-to-Wire
Sealable	No
Hybrid Connector	Yes
Primary Locking Feature	On the Terminal
Connector & Contact Terminates To	Wire & Cable

Configuration Features

Number of Positions	42
Number of Rows	4

Electrical Characteristics

Operating Voltage	12 VDC
-------------------	--------



Body Features

Cable Exit Angle	90°
Primary Product Color	Black

Contact Features

Contact Size	1.6mm, 2.8mm, 5.8mm
Contact Type	Tab
Contact Current Rating (Max)	10 A, 30 A, 40 A

Mechanical Attachment

Terminal Position Assurance	No
Strain Relief	Without
Mating Alignment Type	Keyed
Mating Alignment	With
Connector Mounting Type	Cable Mount (Free-Hanging)

Housing Features

Housing Material	PBT GF
Centerline (Pitch)	4 mm, 5 mm [.157 in] [.196 in]

Dimensions

Connector Height	53.4 mm [2.102 in]
Product Width	34.7 mm [1.366 in]
Product Length	72 mm [2.835 in]
Row-to-Row Spacing	4.5 mm [.177 in]

Usage Conditions

Operating Temperature (Max)	130 °C [266 °F]
Operating Temperature Range	-40 – 130 °C [-40 – 266 °F]

Operation/Application

Circuit Application	Power & Signal
---------------------	----------------

Industry Standards

UL Flammability Rating	UL 94HB
------------------------	---------

Packaging Features

Packaging Method	Carton
------------------	--------

Other

--	--



Serviceable	Yes
Connector Position Assurance Capable	No

Product Compliance

[For compliance documentation, visit the product page on TE.com>](#)

EU RoHS Directive 2011/65/EU	Compliant
EU ELV Directive 2000/53/EC	Compliant
China RoHS 2 Directive MIIT Order No 32, 2016	No Restricted Materials Above Threshold
EU REACH Regulation (EC) No. 1907/2006	Current ECHA Candidate List: JUNE 2023 (235) Candidate List Declared Against: JUNE 2023 (235) Does not contain REACH SVHC
Halogen Content	Low Halogen - Br, Cl, F, I < 900 ppm per homogenous material. Also BFR/CFR/PVC Free
Solder Process Capability	Not applicable for solder process capability

Product Compliance Disclaimer

This information is provided based on reasonable inquiry of our suppliers and represents our current actual knowledge based on the information they provided. This information is subject to change. The part numbers that TE has identified as EU RoHS compliant have a maximum concentration of 0.1% by weight in homogenous materials for lead, hexavalent chromium, mercury, PBB, PBDE, DBP, BBP, DEHP, DIBP, and 0.01% for cadmium, or qualify for an exemption to these limits as defined in the Annexes of Directive 2011/65/EU (RoHS2). Finished electrical and electronic equipment products will be CE marked as required by Directive 2011/65/EU. Components may not be CE marked. Additionally, the part numbers that TE has identified as EU ELV compliant have a maximum concentration of 0.1% by weight in homogenous materials for lead, hexavalent chromium, and mercury, and 0.01% for cadmium, or qualify for an exemption to these limits as defined in the Annexes of Directive 2000/53/EC (ELV). Regarding the REACH Regulation, the information TE provides on SVHC in articles for this part number is based on the latest European Chemicals Agency (ECHA) 'Guidance on requirements for substances in articles' posted at this URL: <https://echa.europa.eu/guidance-documents/guidance-on-reach>

Compatible Parts



Also in the Series | [Timer Connector System](#)



Automotive Connector Caps & Covers (12)



Automotive Connector Locks & Position Assurance(17)



Automotive Housings(237)



Automotive Terminals(145)



Connector Seals & Cavity Plugs(32)



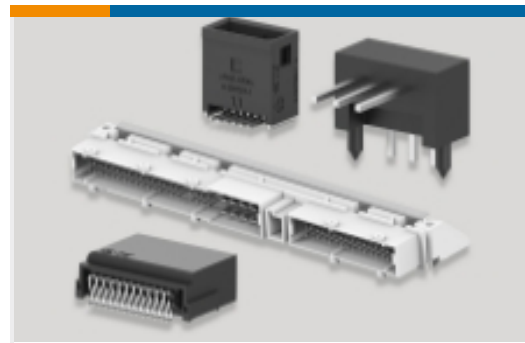
Crimp Terminal Housings(13)



Insertion & Extraction Tools(19)



Other Automotive Connector Accessories(1)

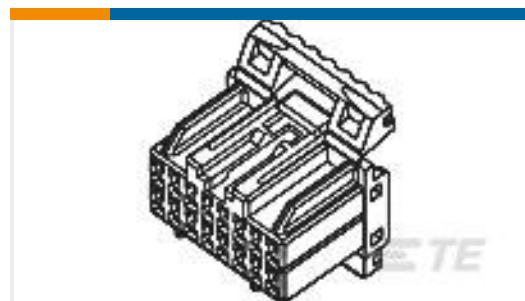


PCB Headers & Receptacles(82)

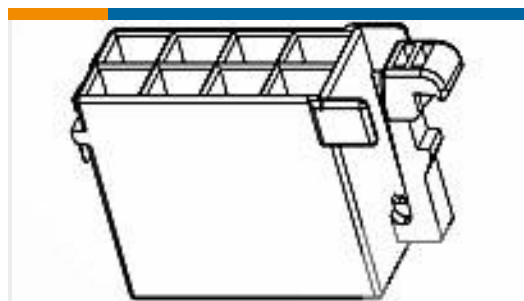


Quick Disconnects(4)

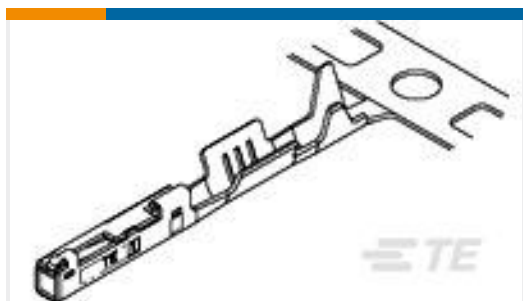
Customers Also Bought



TE Part #368135-1
040/070 HYB 22P PLUG HSG



TE Part #144172-1
MODULE 8 POS ASSY



TE Part #1827855-2
0.50 SERIES CONNECTER
RECEPTACLE CONTACT



TE Part #2291354-1
PLUG SHELL BOTTOM, 0.50 HSL
CONNECTOR



TE Part #2293641-4
PLUG HOUSING BODY 0.50 HSL
CONN. KEY-D



TE Part #1897538-1
187 FASTON REC CONT



TE Part #1897660-1
250 FASTON REC CONT



TE Part #2-2295763-1
MICRORELAY HOLDER ASSEMBLY



Documents

Product Drawings

T-MIX FLA-ST-GEH42P

English

CAD Files

3D PDF

3D

Customer View Model

[ENG_CVM_CVM_968393-1_A.2d_dxf.zip](#)

English

Customer View Model

[ENG_CVM_CVM_968393-1_A.3d_igs.zip](#)

English

Customer View Model

[ENG_CVM_CVM_968393-1_A.3d_stp.zip](#)

English

By downloading the CAD file I accept and agree to the [Terms and Conditions](#) of use.

Datasheets & Catalog Pages

Timer Interconnection System

English

Product Specifications

42 POS. MIXED DOOR-TO-BODY CONNECTOR

English

Product Specification

English