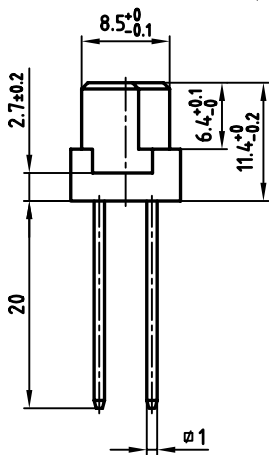
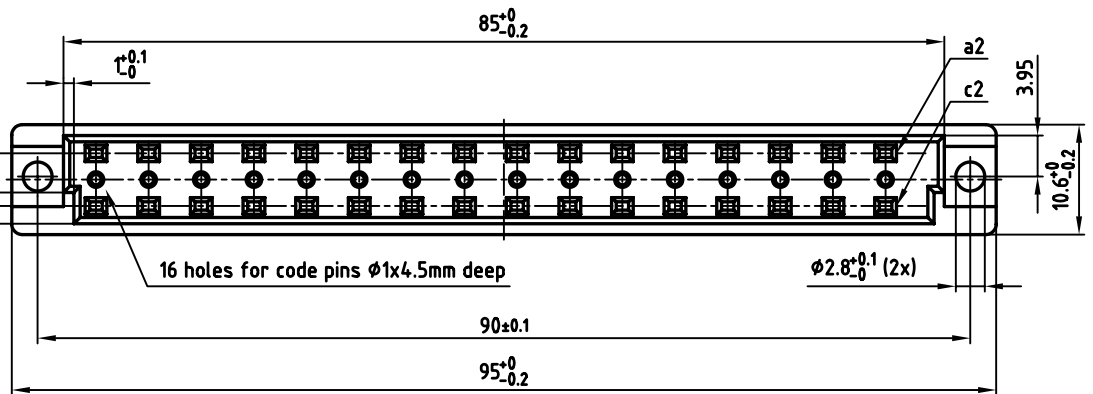
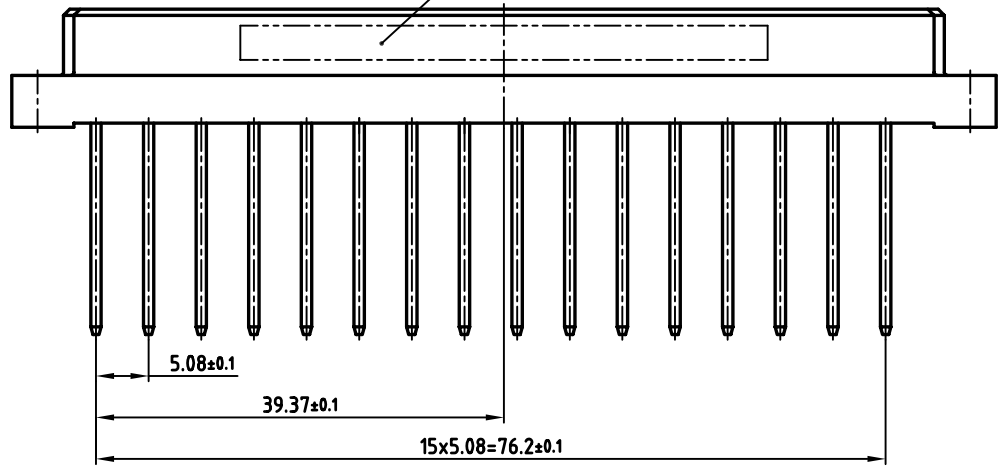


used for: DIN EN 60603-2 TYPE "D"

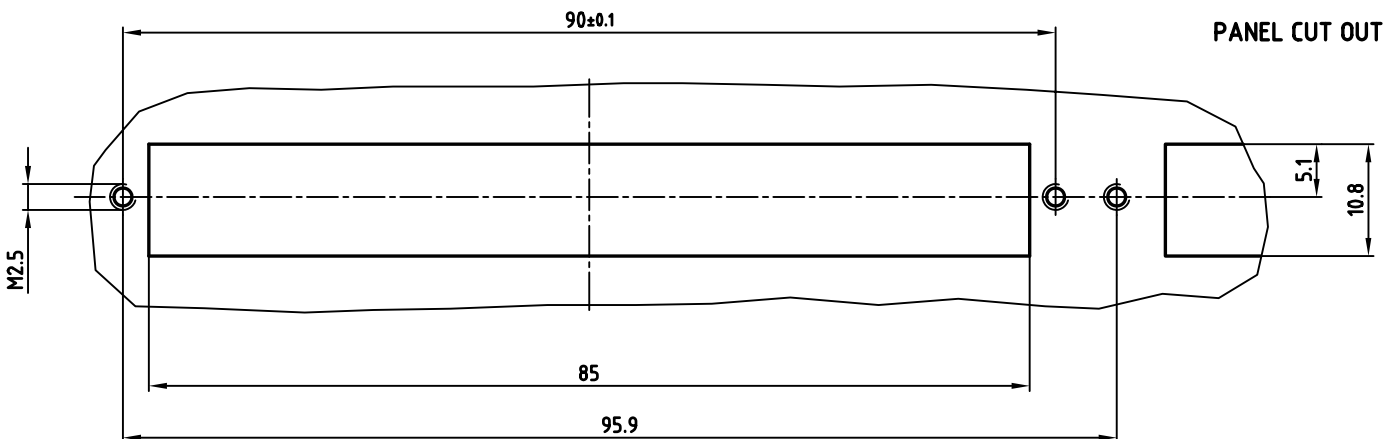
SEE NOTE 3



Directive 2002/95/EC
"RoHS"
Compliant

NOTES:

1. INSULATORS: PBTP UL 94 V-0, GREY
2. CONTACTS: COPPER ALLOY
PLATING: GOLD OVER NICKEL
50 MATING CYCLES
3. CONNECTOR IS PART MARKED: 122A10929X CONEC ABC



APPROVAL # FREIGABE # DEBLOCAGE # AUTORIZACION # APPROVAL

CUSTOMER APPROVAL DATE:

NAME: TITLE:

COMPANY NAME:

APPROVAL # FREIGABE # DEBLOCAGE # AUTORIZACION # APPROVAL

THIS DRAWING MAY NOT BE COPIED OR REPRODUCED IN ANY WAY, AND MAY NOT BE PASSED ON TO A THIRD PARTY, WITHOUT WRITTEN PERMISSION. OWNERSHIP AND COPYRIGHT OF CONEC GmbH DO NOT ALTER CAD DRAWING BY HAND

rev.	description	date	name
a	Origin		

tolerance	dim. in mm
2006	date
drawn	13.03. Lehmenkühler
appd.	13.03. Mickenbecker
norm	DIN EN 60603-2
d-old	

scale: 2:1

material: SEE NOTES

title: FEMALE CONNECTOR TYPE "D"
32pos. WIRE WRAP

dwg no: AutoCAD 2006 DIN-A
12K1A427 3
sh: 1/1

part no: 122A10929X

