

MATERIALS AND FINISHES:

HOUSING: ZINC ALLOY / PLATED SEE TABLE

CENTER CONTACT: BRASS / PLATED GOLD

INSULATOR: TEFLON

OUTER CONTACT: BERYLLIUM COPPER / PLATED SEE TABLE

FERRULE: BRASS / PLATED SEE TABLE

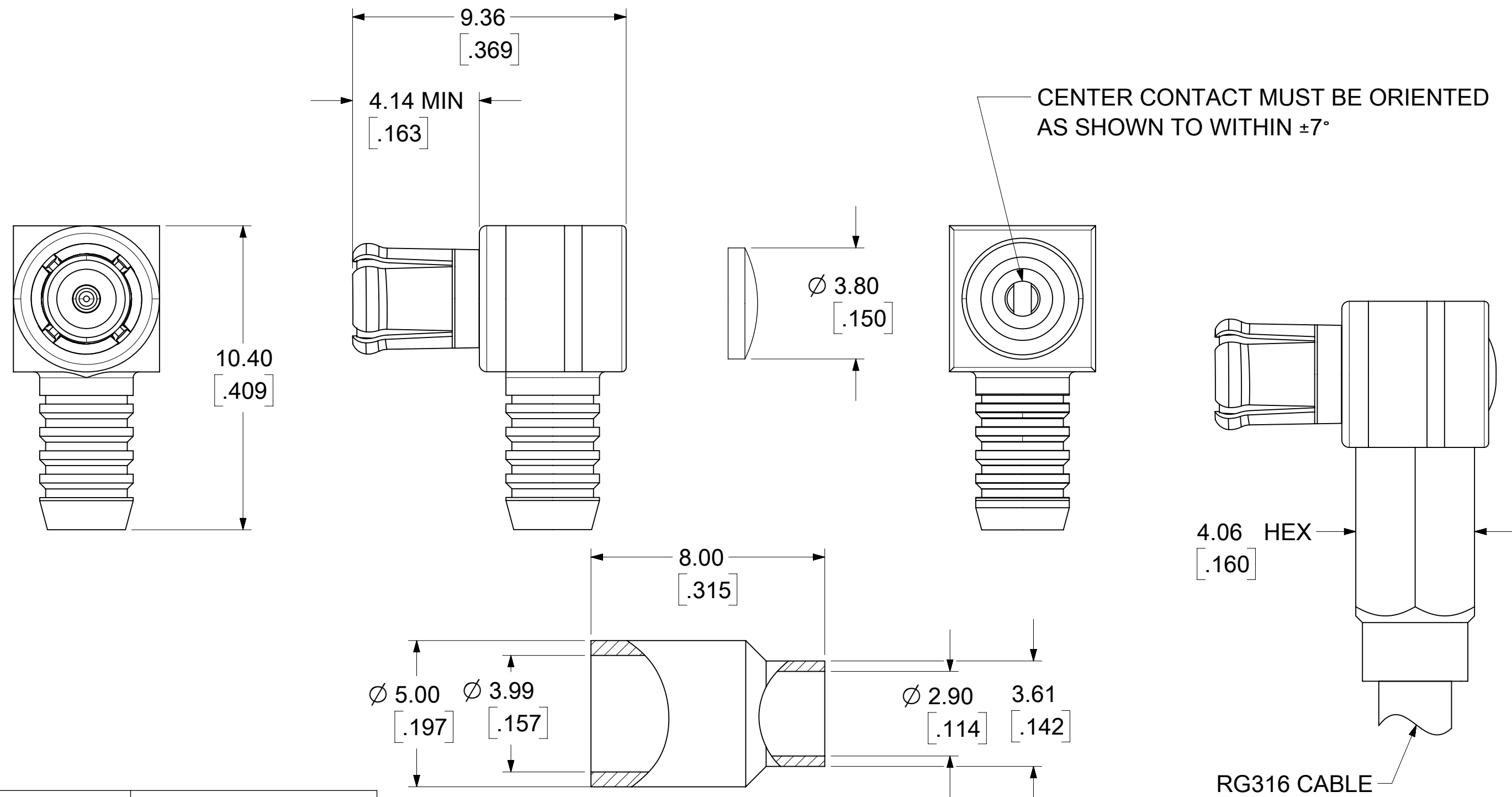
CAP: STAINLESS STEEL (FOR 73366-0010/-0019)  
PASSIVATED

CAP: BRASS (FOR 73366-0011/-0012/-0017/-6350)  
PLATED GOLD

NOTE:

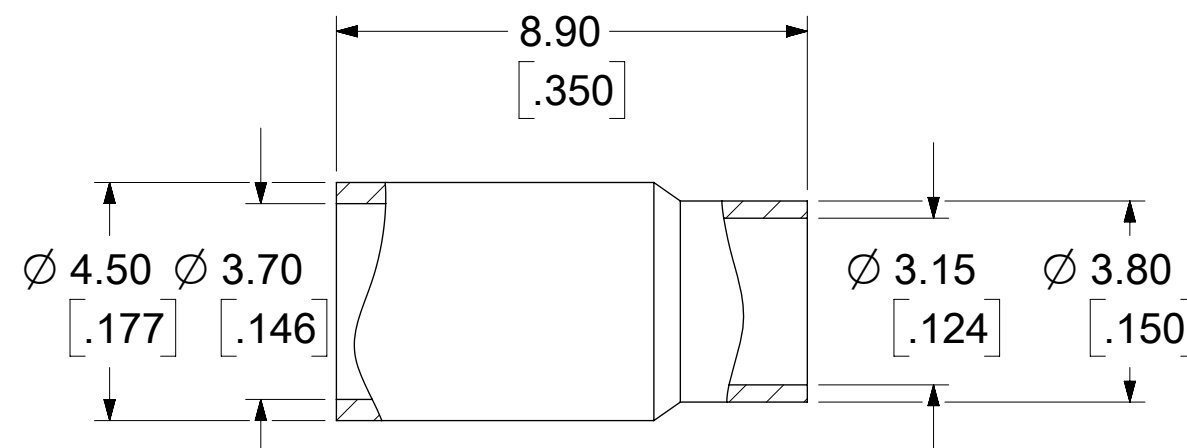
73366-0011'S FERRULE FOR GENERAL CUSTOMERS

73366-0012'S FERRULE FOR CHEN CHUN REQUEST

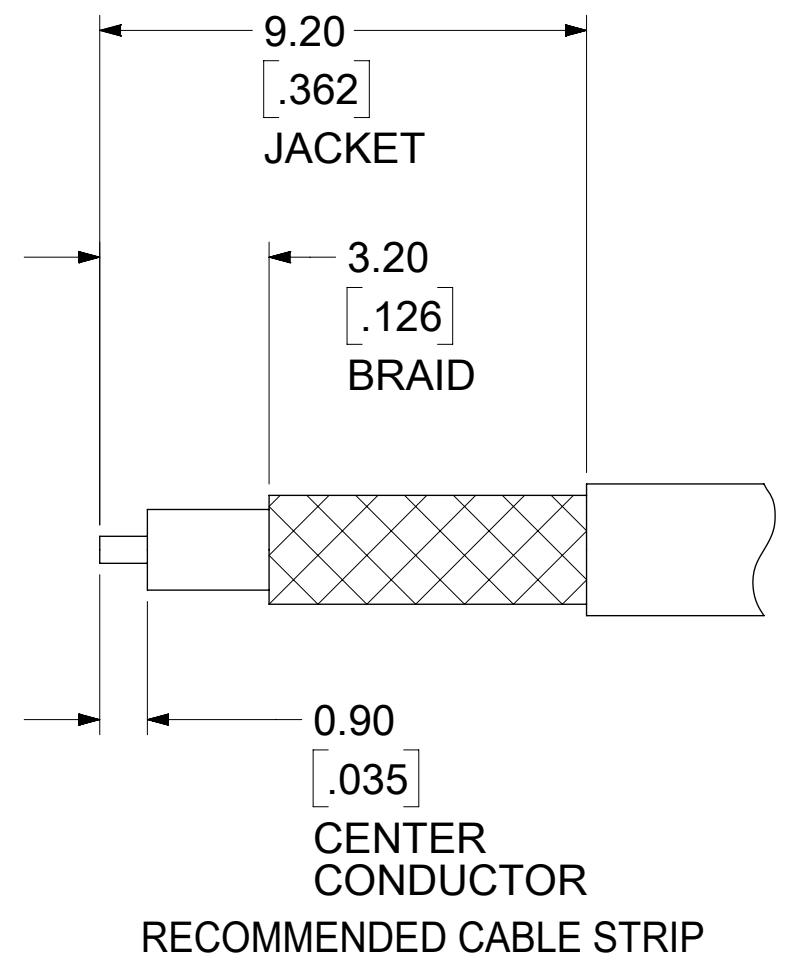


73366-6350	GOLD PLATING, BULK PACK	GOLD 30μ-in	GOLD 30μ-in
73366-0019	NICKEL PLATING, BULK PACK	NICKEL 100μ-in	GOLD 10μ-in
73366-0018	BULK, 73366-0010 W/O FERRULE	GOLD 5μ-in	GOLD 10μ-in
73366-0017	GOLD PLATING, BULK PACK	GOLD 5μ-in	GOLD 10μ-in
73366-0016	73366-0012, SMALL TRAY	GOLD 5μ-in	GOLD 10μ-in
73366-0015	73366-0011, SMALL TRAY	GOLD 5μ-in	GOLD 10μ-in
73366-0014	73366-0010, SMALL TRAY	GOLD 5μ-in	GOLD 10μ-in
73366-0013	1 PIECE 73366-0010 PER BAG	GOLD 5μ-in	GOLD 10μ-in
73366-0012	GOLD PLATING, BULK PACK	GOLD 5μ-in	GOLD 10μ-in
73366-0011	GOLD PLATING, BULK PACK	GOLD 5μ-in	GOLD 10μ-in
73366-0010	NICKEL PLATING, BULK PACK	GOLD 5μ-in	GOLD 10μ-in
PART NO.	BODY PLATING & PACKAGING	OUTER CONTACT	CENTER CONTACT

GENERAL CUSTOMERS



CHEN CHUN REQUEST



RECOMMENDED CABLE STRIP

73392-0050	ASSEMBLY INSTRUCTIONS FOR 73366-0010/0011
PS-89675-1830	PRODUCT SPECIFICATION
SPECIFICATION	DESCRIPTION

FUNCTIONAL SYMBOLS		THIS DRAWING CONTAINS INFORMATION THAT IS PROPRIETARY TO MOLEX ELECTRONIC TECHNOLOGIES, LLC AND SHOULD NOT BE USED WITHOUT WRITTEN PERMISSION			
FA = 0	HYBRID	SCALE	NTS		
FC = 0	GENERAL TOLERANCES (UNLESS SPECIFIED)		EC NO: 706398		MCX PLUG R/A RG316 50 OHMS MCX-PC/RA
FP = 0	ANGULAR TOL ± 2.0°		DRWN: CWEI02 2022/05/11		
DIVISIONAL SYMBOLS		4 PLACES ±		2022/05/17	
		3 PLACES ±		CHK'D: YCHENG	
		2 PLACES ±		APPR: YCHENG	
		1 PLACE ±		INITIAL REVISION:	
		0 PLACES ±		DRWN: YCHENG 2005/03/15	
		DRAFT WHERE APPLICABLE MUST REMAIN WITHIN DIMENSIONS		APPR: MISEN 2003/02/21	
		THIRD ANGLE PROJECTION		DRAWING SERIES	
		C-SIZE		73366	
DOCUMENT STATUS		P1		RELEASE DATE	
2022/05/17		03:07:36		2022/05/17	
MATERIAL NUMBER		CUSTOMER		SHEET NUMBER	
SEE TABLE		GENERAL MARKET		1 OF 1	
DOCUMENT NUMBER		DOC TYPE		DOC PART	
SD-73366-001		PSD		001	
				G11	